

# Bayside Platforms & Modules

23X - Bayside Platform

24X - Bayside Single Sided Backrest Module (Pg.2)

25X - Bayside Double Sided Backrest Module (Pg.2)



Bayside Platforms have powdercoated aluminium frames with three standard end panel styles, utilising hardwood or aluminium batten materials that feature contoured end battens, inset in the aluminium frames giving them a luxe aesthetic. With modern appeal, Bayside furniture is suitable for placement in any location.

**Length Options**

- 1800mm
- 1200mm

**Width Options**

- 1800mm
- 1200mm

**End Panel Style**

- Frame
- Blank
- Grooved
- Custom

**Batten Material** (See batten guide)

60mm x 30mm

- Spotted Gum
- Anodised Aluminium
- Powdercoated Aluminium (See colour guide)
- Timber-Look Aluminium

**Frame Material**

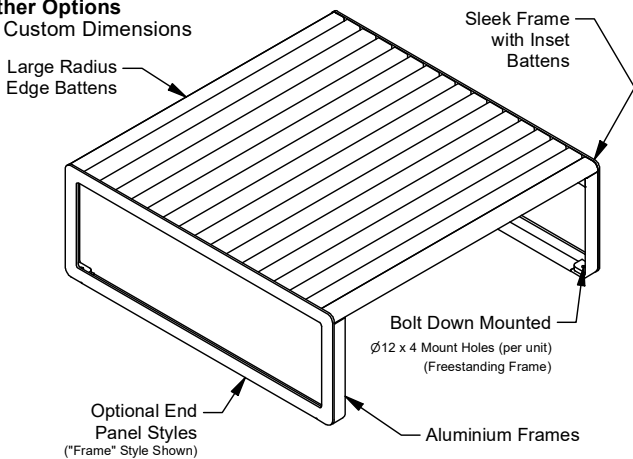
- Powdercoated Aluminium (See colour guide)

**Mounting Options**

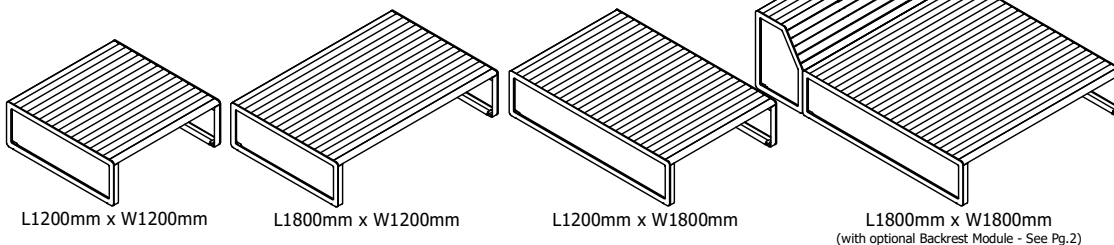
- Bolt Down
- Include Inground Anchors

**Other Options**

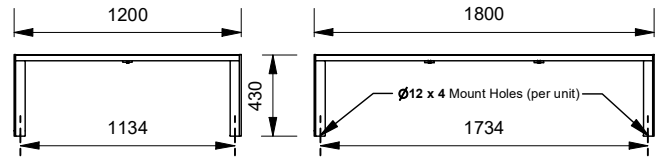
- Custom Dimensions



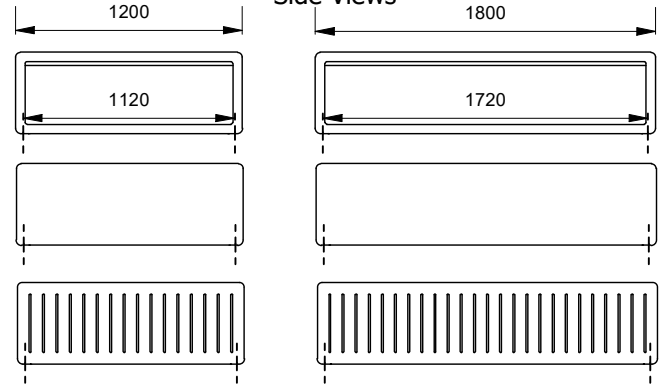
4 Standard Sizes Available



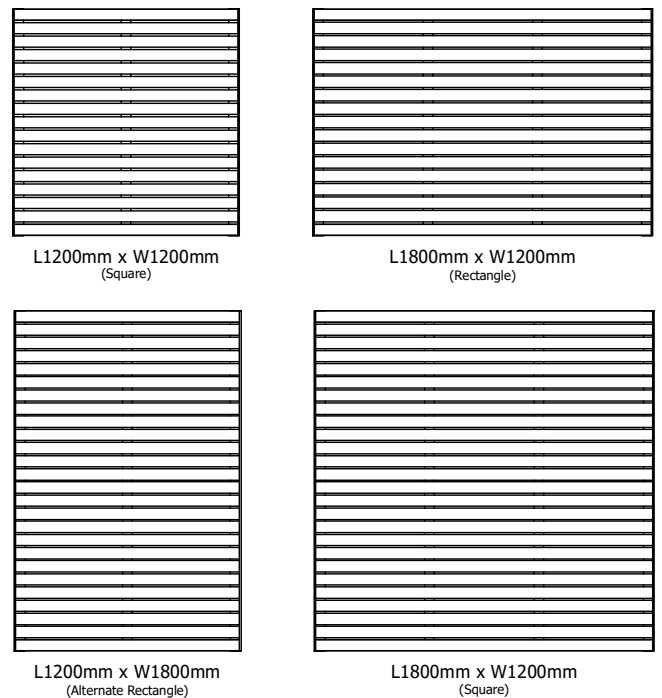
**Front Views**



**Side Views**



**Top Views**



More information:  
Go to the website for spec inspiration.

**23X - Bayside Platform**  
**24X - Bayside Single Sided Backrest Module**  
**25X - Bayside Double Sided Backrest Module**  
<https://draffin.com.au/product/bayside-platform/>

Batten Guide  
<https://draffin.com.au/batten-guide/>

Powdercoat Colour Guide  
<https://draffin.com.au/colour-guide/>

DDA guide  
<https://draffin.com.au/dda/>

# Bayside Platforms & Modules

23X - Bayside Platform (Pg.1)

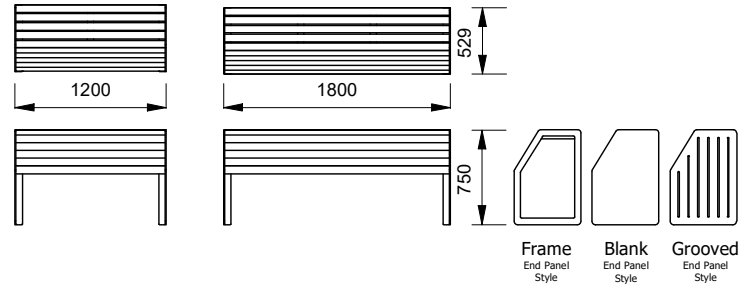
24X - Bayside Single Sided Backrest Module

25X - Bayside Double Sided Backrest Module

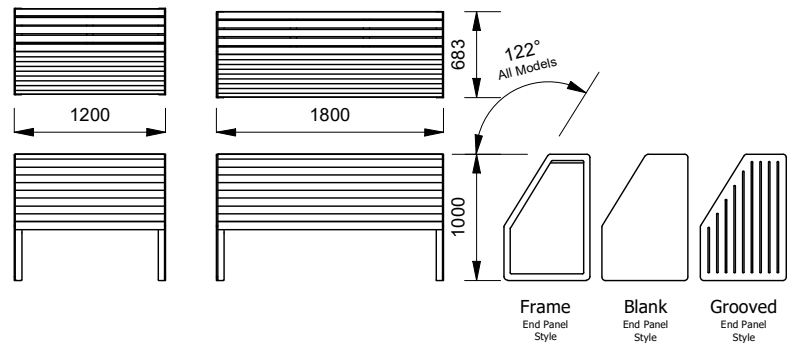


The Bayside Backrest Modules are made to pair with Bayside Platforms (& Benches). Together they form a large chaise with a relaxed backrest angle & can be specified as single or double sided. The modules feature a table that can be specified at standard or bar height. Combine single sided modules -with a platform & stools to create a multi-purpose table/chaise combination.

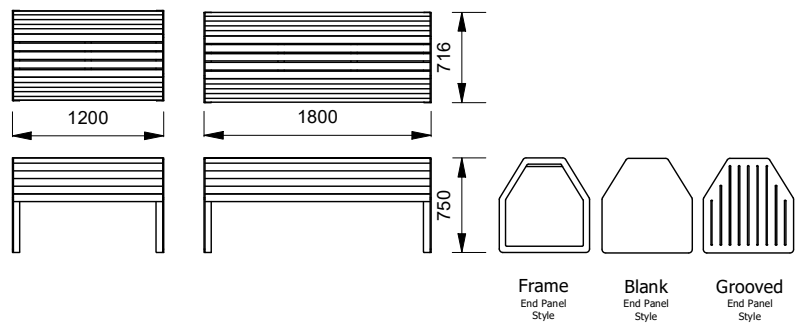
Single Sided Table Height Modules - 1200mm & 1800mm long



Single Sided Bar Table Height Modules - 1200mm & 1800mm long



Double Sided Table Height Modules - 1200mm & 1800mm long



**Length Options**

- 1800mm
- 1200mm

**Table/Backrest Height**

- Standard Height - 750mm
- Bar Height - 1000mm

**Backrest Option**

- Single Sided
- Double Sided (Standard Table Height Only)

**End Panel Style**

- Frame
- Blank
- Grooved
- Custom

**Batten Material** (See batten guide)

60mm x 30mm

- Spotted Gum
- Anodised Aluminium
- Powdercoated Aluminium (See colour guide)
- Timber-Look Aluminium

**Frame Material**

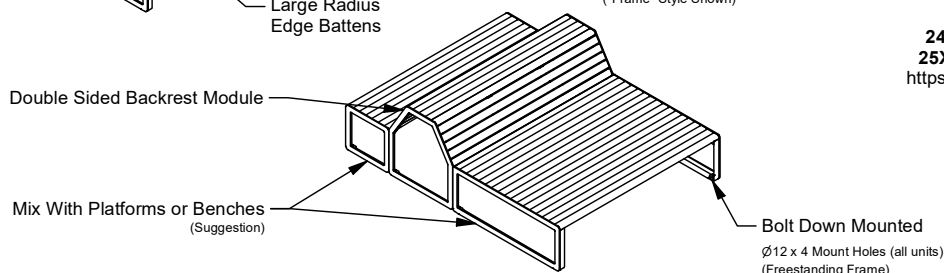
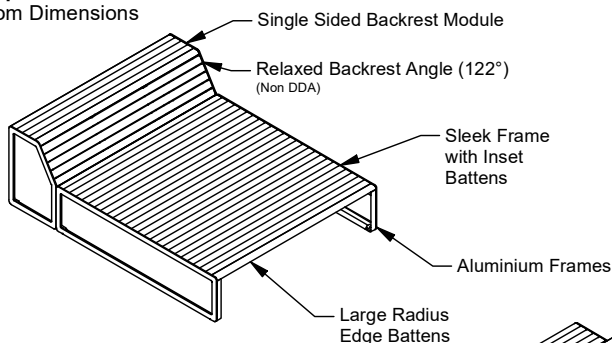
- Powdercoated Aluminium (See colour guide)

**Mounting Options**

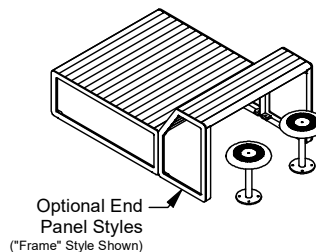
- Bolt Down
- Include Inground Anchors

**Other Options**

- Custom Dimensions



Add stools for multi-purpose applications (Suggestion)



More information:  
Go to the website for spec inspiration.

**23X** - Bayside Platform  
**24X** - Bayside Single Sided Backrest Module  
**25X** - Bayside Double Sided Backrest Module  
<https://draffin.com.au/product/bayside-platform/>

Batten Guide  
<https://draffin.com.au/batten-guide/>

Powdercoat Colour Guide  
<https://draffin.com.au/colour-guide/>

DDA guide  
<https://draffin.com.au/dda/>