

Bayside Slim Bar Table

Model 22/SLIM - Bayside Slim Bar Table

DRAFFIN
Street Furniture



Bayside Slim Bar Tables are available in two sizes and include a footrest bar. Perfect for lookouts, wall or perimeter placements, or where a compact bar table application makes sense. Aluminium frames with three standard end panel styles and Spotted Gum timber or Aluminium battens, the Bayside Slim Bar Table can be optioned and styled to suit your space.

Leg Type

- Square Leg

Length

- 1800mm
- 1200mm

End Panel Style

- Frame
- Blank
- Grooved
- Custom

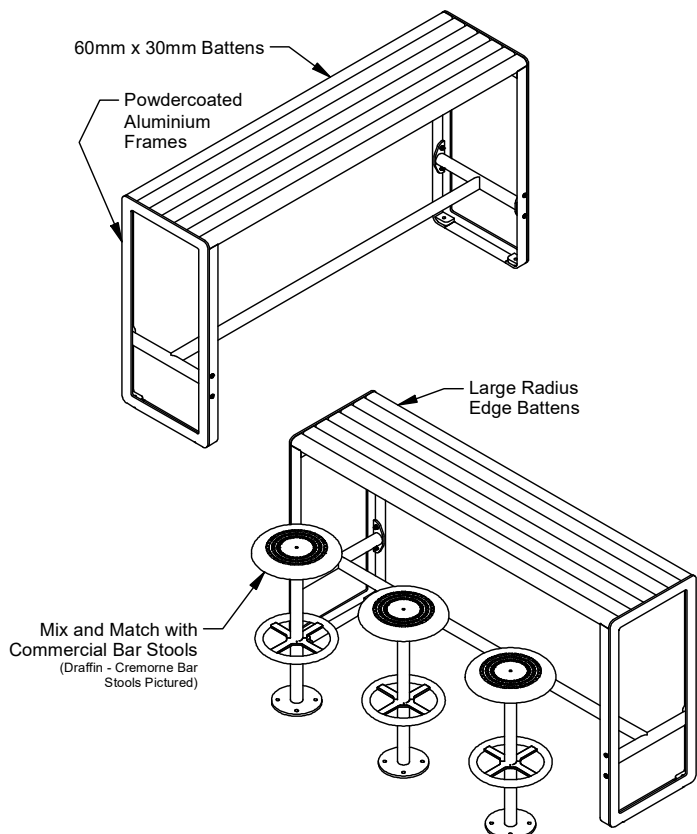
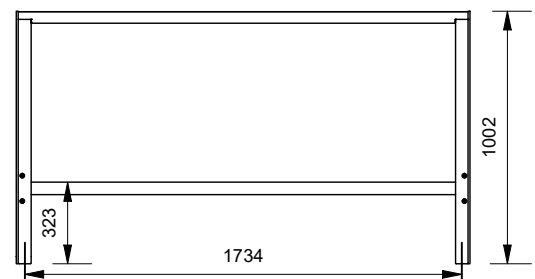
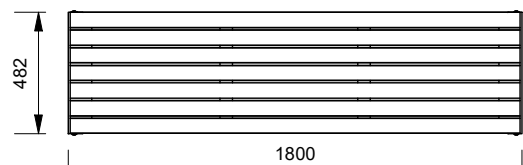
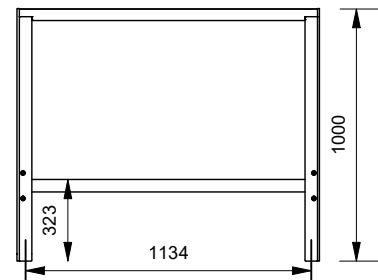
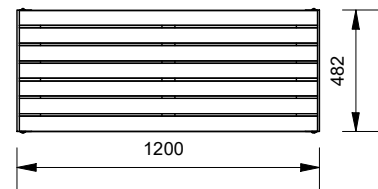
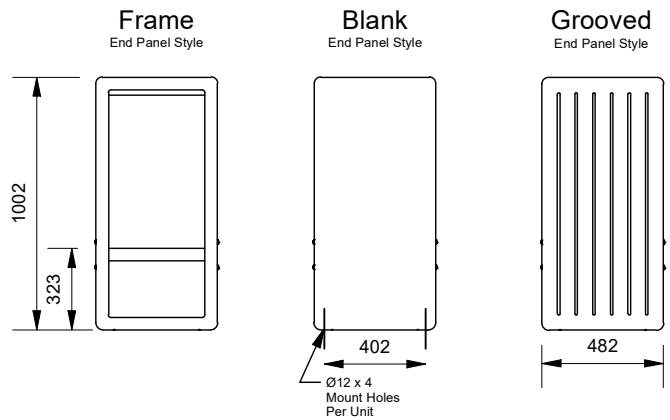
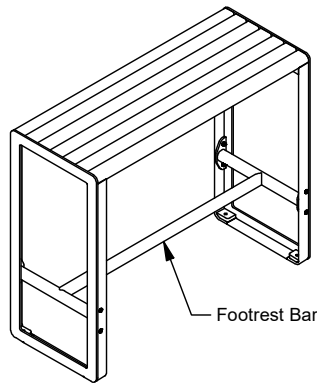
Batten Options (See Batten Guide)

60mm x 30mm

- Spotted Gum
- Anodised Aluminium
- Powdercoated Aluminium
- Timber-Look Aluminium

Frame Options

- Powdercoated Aluminium (See Colour Guide)



More information:
Go to the website for spec inspiration.

22/SLIM - Bayside Slim Bar Table
<https://draffin.com.au/product/bayside-slim-bar-table/>

Batten Guide
<https://draffin.com.au/batten-guide/>

Colour and Plinth Guide
<https://draffin.com.au/colour-guide/>

DDA guide
<https://draffin.com.au/dda/>

Bayside Slim Bar Table

Model 22/SLIM - Bayside Slim Bar Table

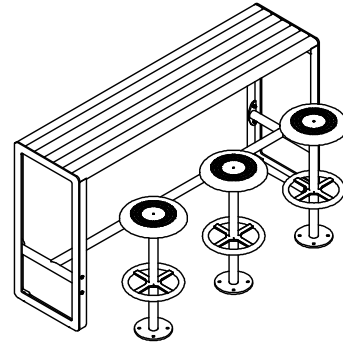
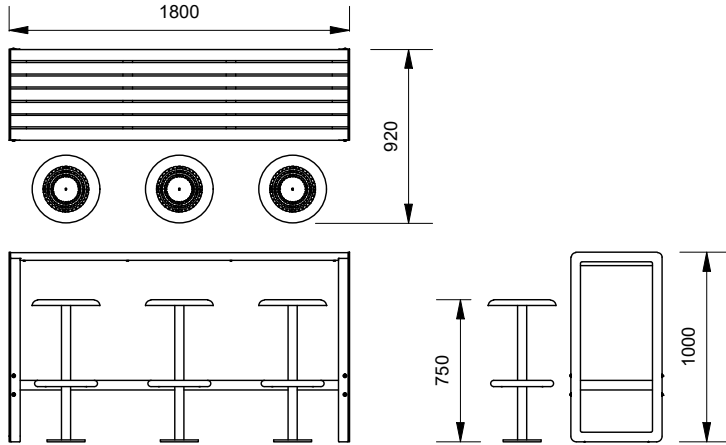


Suggested Table Configurations

1800mm Slim Bar Table Setting (3 Seater)

with Cremorne Bar Stools

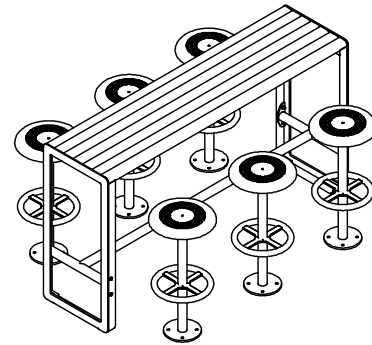
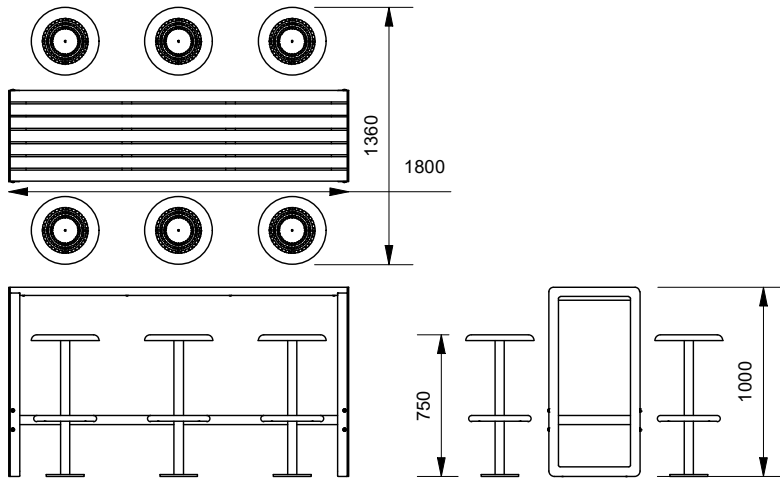
1800mm bar table length allows comfortable space for 3 people (approx. 600mm shoulder space per seat)



1800mm Slim Bar Table Setting (6 Seater)

with Cremorne Bar Stools

1800mm bar table with stools either side creates a compact casual 6 seater setting



1200mm Slim Bar Table Setting (4 Seater)

with Cremorne Bar Stools

1200mm slim bar table with stools either side creates an even more compact 4 seater setting

