

Cremorne Cafe Table Setting

89244 - Cremorne 800mm Round Table
 89245 - Cremorne Stool
 89246 - Cremorne 600mm Round Cafe Table

DRAFFIN
 Street Furniture



The Cremorne suite of cafe styled table settings are fully welded and manufactured in stainless steel for high strength. Built for permanent placement in the most demanding open spaces. Offering in-ground or bolt-down application, the Cremorne can be installed almost anywhere.

Table Diameter

- 800mm (Standard) (Model 89244)
- 600mm (Cafe) (Model 89246)

Table Setting Height

- 750mm (Standard)
- 1080mm (Bar Height)
- 430mm (Low Coffee Table)

Frame Material (See Stainless Steel Guide)

- 304 Grade Stainless Steel
- 316 Grade Stainless Steel
- Powdercoated 304 Grade Stainless Steel (See Colour Guide)

Stool Quantity

- 2
- 3
- 4

Perforation Pattern (Pg.3)

- Pattern "P"
- Pattern "Q"
- Pattern "R"
- Pattern "S"
- Pattern "T"
- Pattern "U"
- Blank (No Pattern)

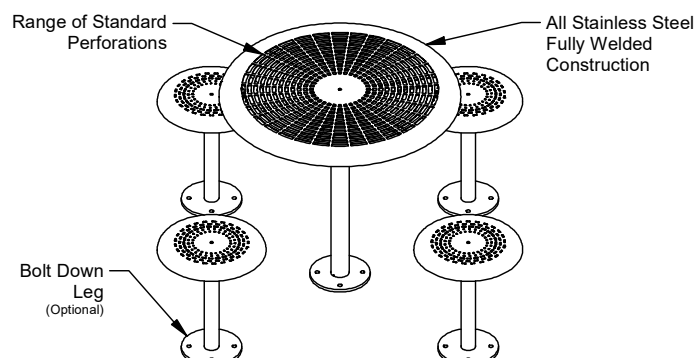
Mounting Options

- Bolt Down
- Inground
- Ground Tubes (Inground)

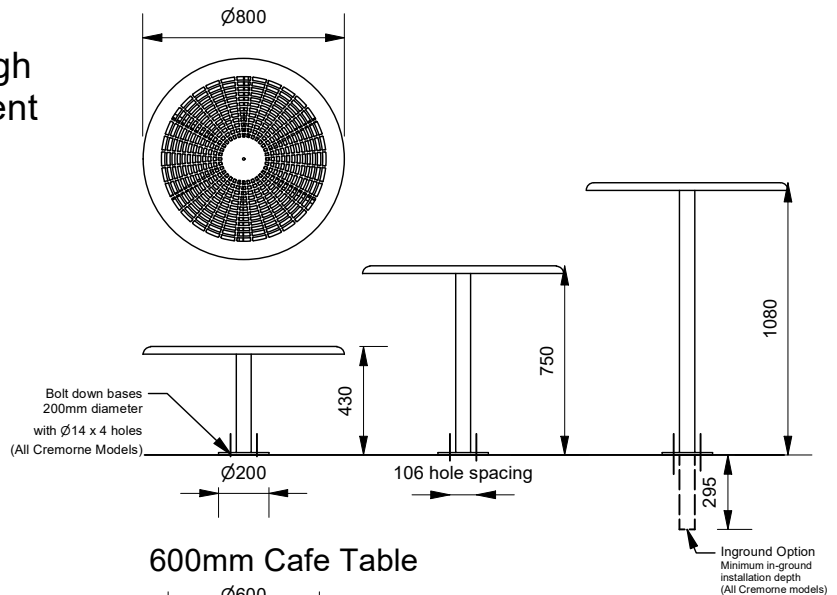
Other Options

- Chessboard Table Perforation
- Umbrella Hole (50mm)

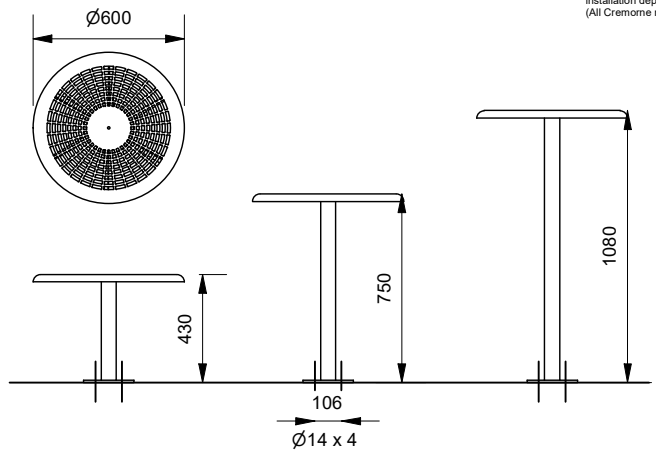
Cremorne 800mm Diameter Standard Table Setting with 4 Stools with Pattern "P" Perforations



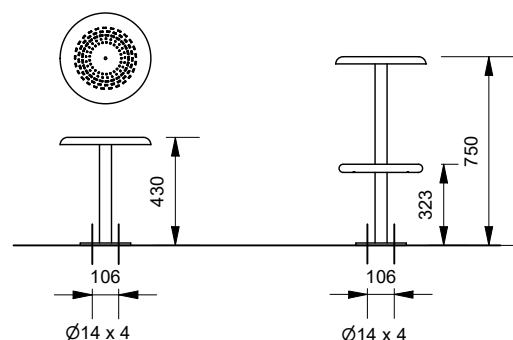
800mm Table



600mm Cafe Table



Stool



More information:

Go to the website for spec inspiration.

89244 - Cremorne 800mm Round Cafe Table

89245 - Cremorne Stool

89246 - Cremorne 600mm Round Cafe Table

<https://draffin.com.au/product/cremorne-cafe-table/>

Colour and Plinth Guide

<https://draffin.com.au/colour-guide/>

Stainless Steel Guide

<https://draffin.com.au/stainless-steel-guide/>

DDA guide

<https://draffin.com.au/dda/>

Cremorne Cafe Table Setting

89244 - Cremorne 800mm Round Table

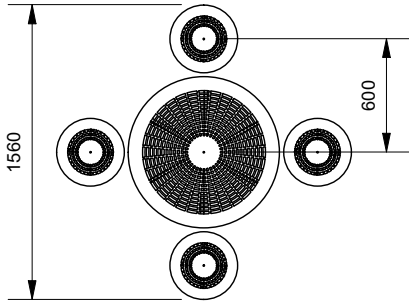
89245 - Cremorne Stool

89246 - Cremorne 600mm Round Cafe Table

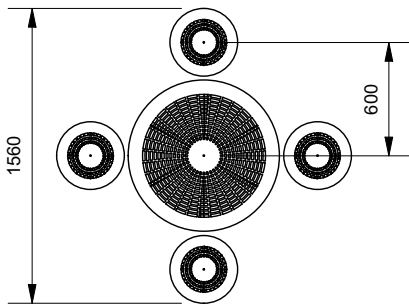
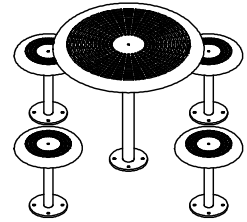
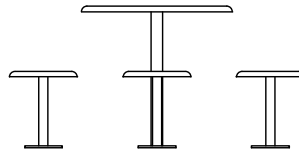
DRAFFIN
Street Furniture



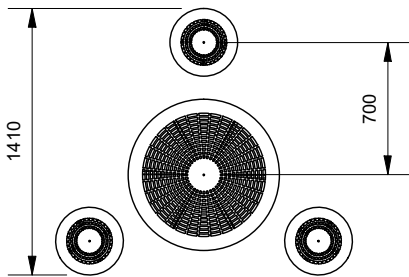
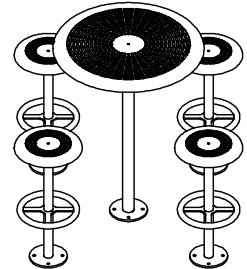
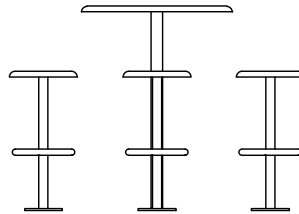
Suggested 800mm Table Configurations



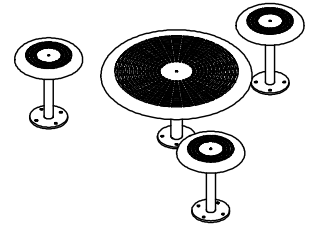
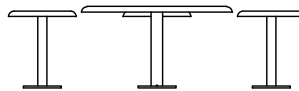
Standard 4 seat setting



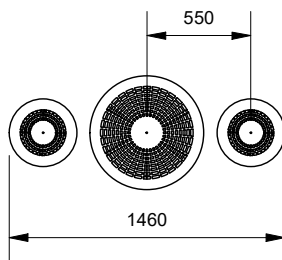
4 seat bar height setting



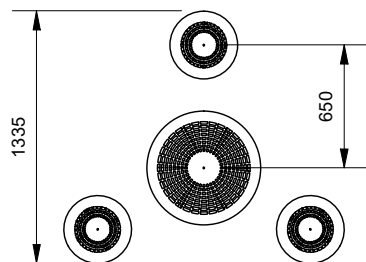
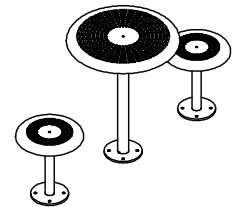
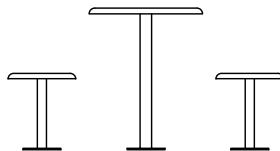
3 seat Low coffee table setting



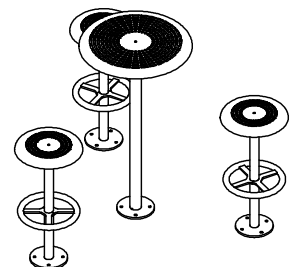
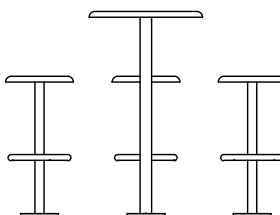
Suggested 600mm Table Configuration



2 seat cafe setting



3 seat bar height cafe setting



Cremorne Cafe Table Setting

89244 - Cremorne 800mm Round Table

89245 - Cremorne Stool

89246 - Cremorne 600mm Round Cafe Table

DRAFFIN
Street Furniture



Perforation Patterns	Stools (89245)	600mm Table (89246)	800mm Table (89244)
Pattern "P"			
Pattern "Q"			
Pattern "R"			
Pattern "S"			
Pattern "T"			
Pattern "U"			