

# Outdoor Table Tennis Table

89385 (Table Tennis Table)

**DRAFFIN**  
Street Furniture



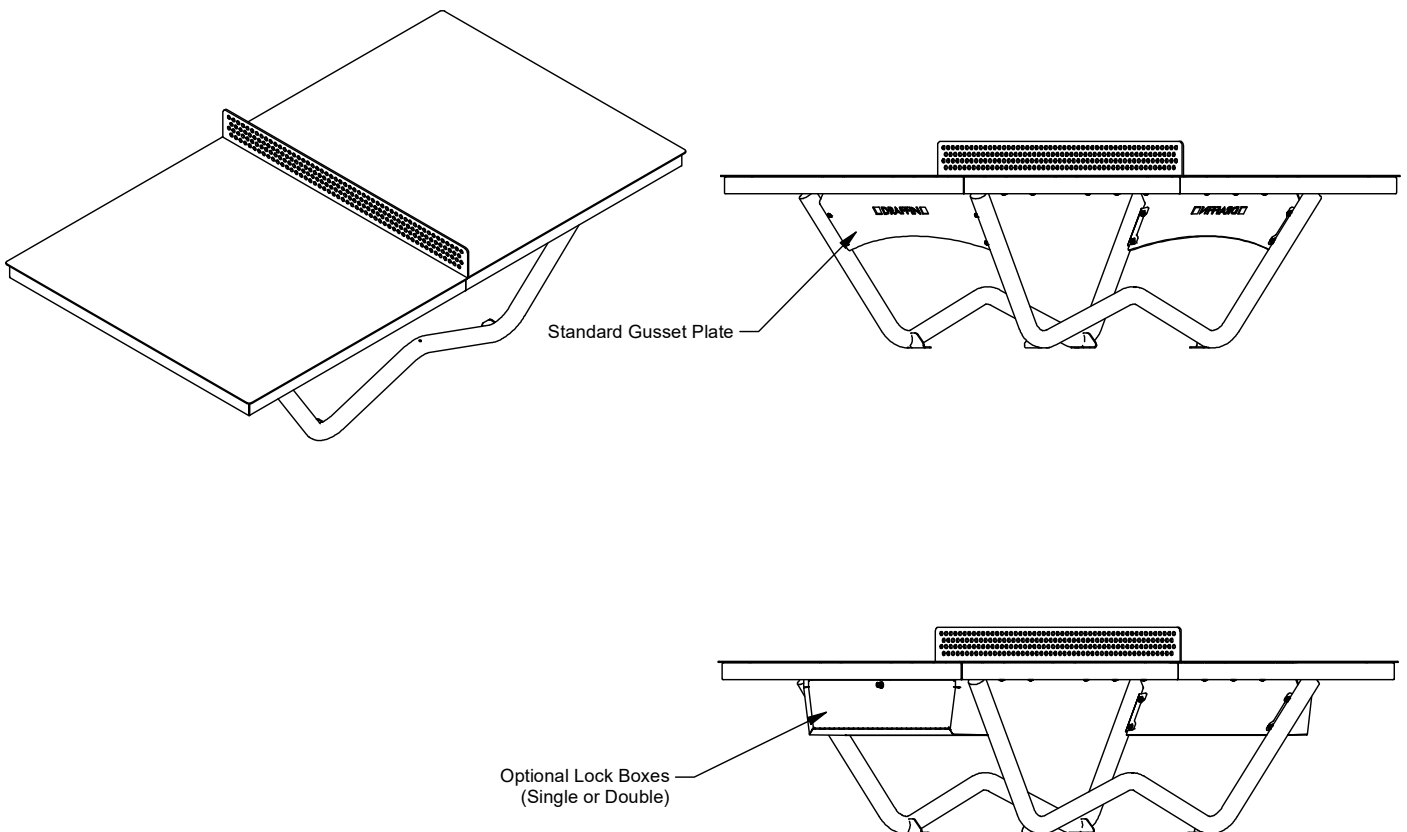
- These are generic instructions for the installation of Draffin Street Furniture's Outdoor Table Tennis Table.
- This product should be installed by an appropriately qualified or skilled person.
- These instructions cover the assembly of various product options, component quantities and appearances may vary.
- Further information is available by contacting Draffin Street Furniture ([www.draffin.com.au](http://www.draffin.com.au)) via the following QR code:



Draffin Street Furniture Website

- General product and contact information

## 89385 Table Tennis Table



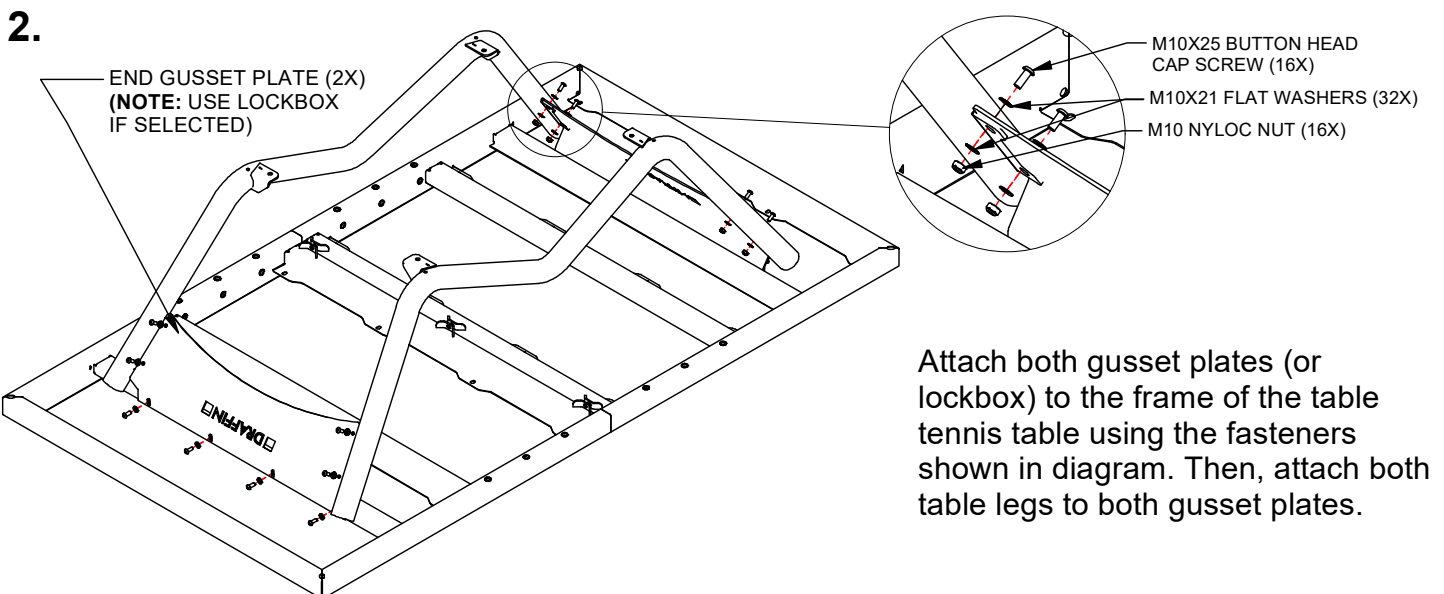
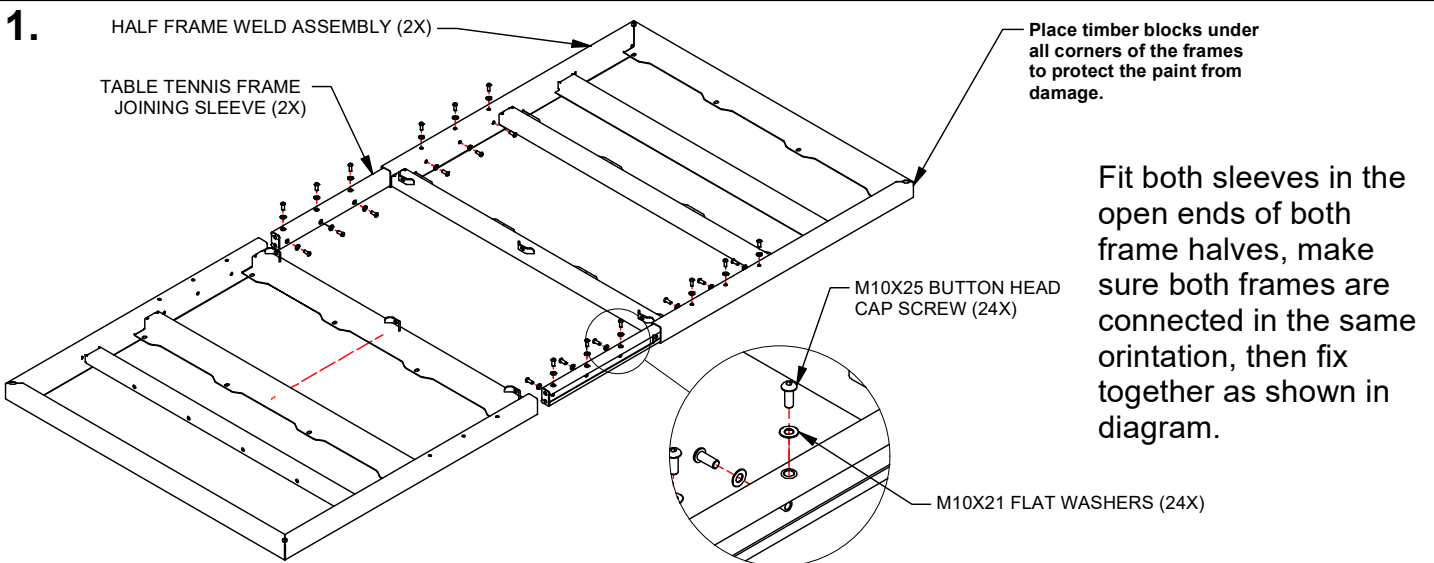
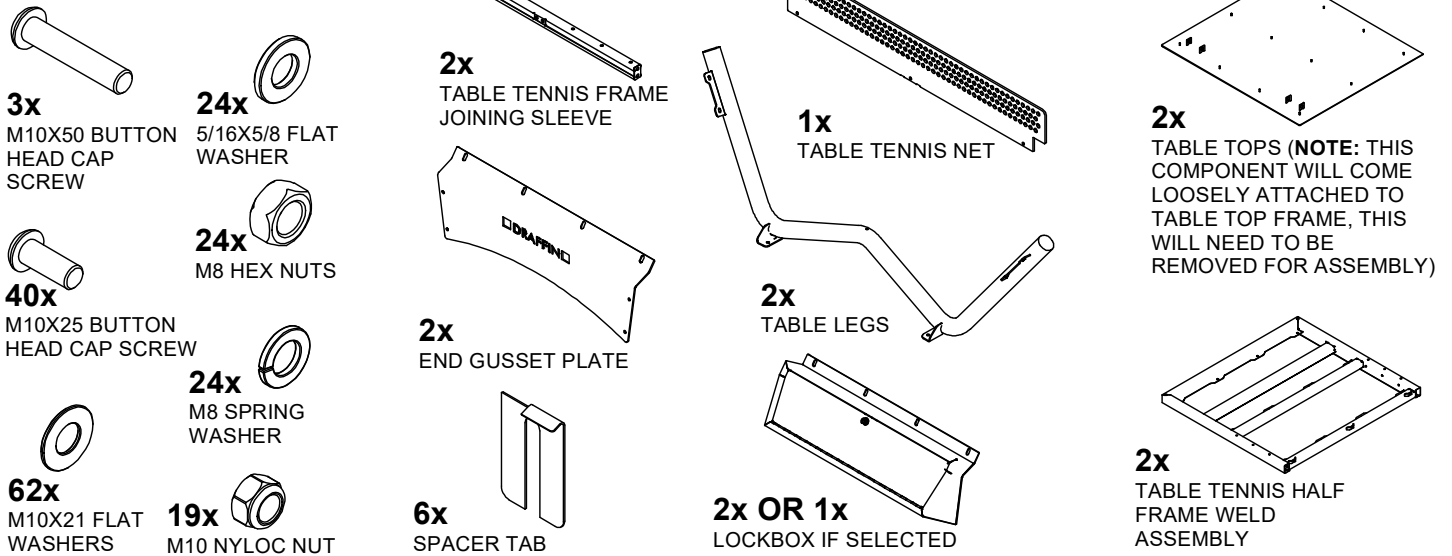
# Outdoor Table Tennis Table

89385 (Table Tennis Table)

**DRAFFIN**  
Street Furniture



## COMPONENTS:



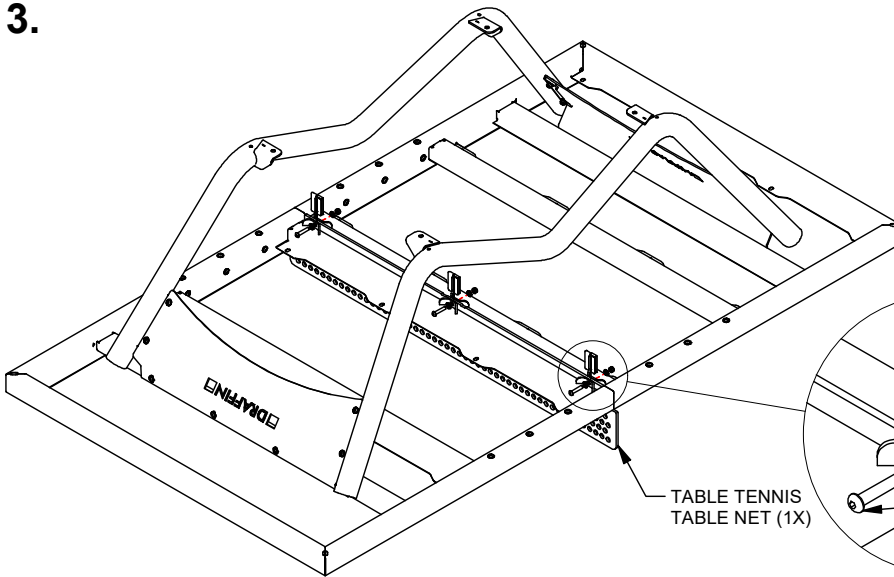
# Outdoor Table Tennis Table

89385 (Table Tennis Table)

**DRAFFIN**  
Street Furniture



**3.**



**NOTE:** Perform this step with the table in the upright position, diagram is for demonstration purposes.

Position table tennis net into the 10mm gap in the center of the frame, bolt the net in place as shown in the diagram using spacer tabs for alignment.

SPACER TAB (6X)

M10 NYLOC NUTS (3X)

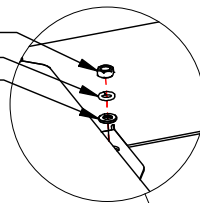
M10X21 FLAT WASHERS (6X)

M10X50 BUTTON HEAD CAP SCREW (3X)

TABLE TENNIS TABLE NET (1X)

**4.**

M8 HEX NUTS (24X)  
M8 SPRING WASHERS (24X)  
5/16X5/8 FLAT WASHERS (24X)



**NOTE:** Perform this step with the table in the upright position, diagram is for demonstration purposes.

Place table tennis frame in final playing position on a flat level ground, loosen the M10 bolts connecting the Draffin end plates to the frame (8 places only), use slots in plates and spirit level to adjust the height of the frame, fully tighten bolts when happy with levels.

Then, lift both table tops into position rounded corners of both sheets face outwards. (Threads face down) push both sheets up against the net so there are minimal gaps, fasten the thread studs down to the frame using the method in the diagram.

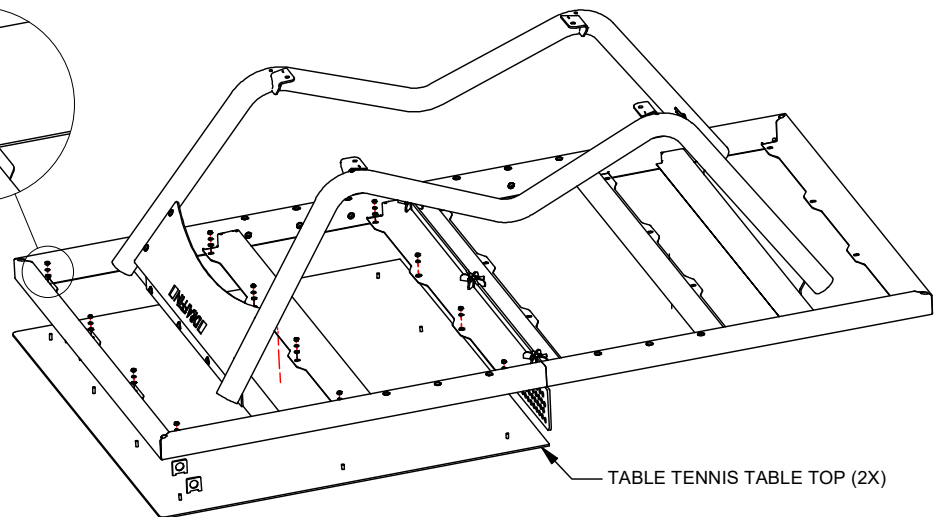
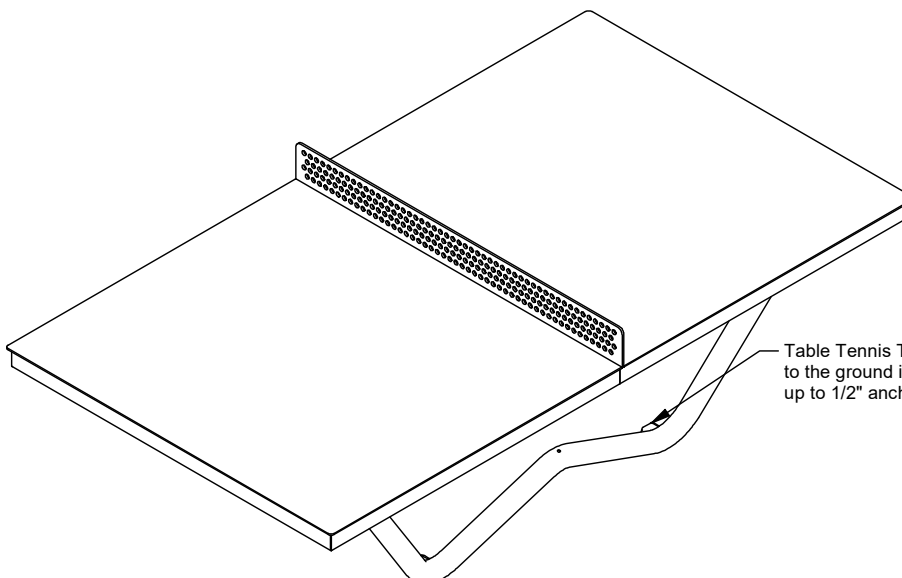


TABLE TENNIS TABLE TOP (2X)

**5.**



Once step is complete, your table tennis table is ready to use.

Table Tennis Table can be anchored to the ground if required with up to 1/2" anchors.