

Brisbane Drinking Fountain

89118

■ DRAFFIN ■
Street Furniture



- These are generic instructions for the installation of Draffin Street Furniture's Brisbane Drinking Fountain.
- These instructions cover the basic assembly of the Brisbane Drinking Fountain, and optional dog bowl.
- This product should be installed by an appropriately qualified person.
- These instructions do not apply to plumbing standards, feed and waste plumbing, concrete type and method, ground fixings, wall fixings or other items outside the control of Draffin Street Furniture. These items are the responsibility of the installer.
- Further information is available by contacting Draffin Street Furniture (www.draffin.com.au) via the following QR code:

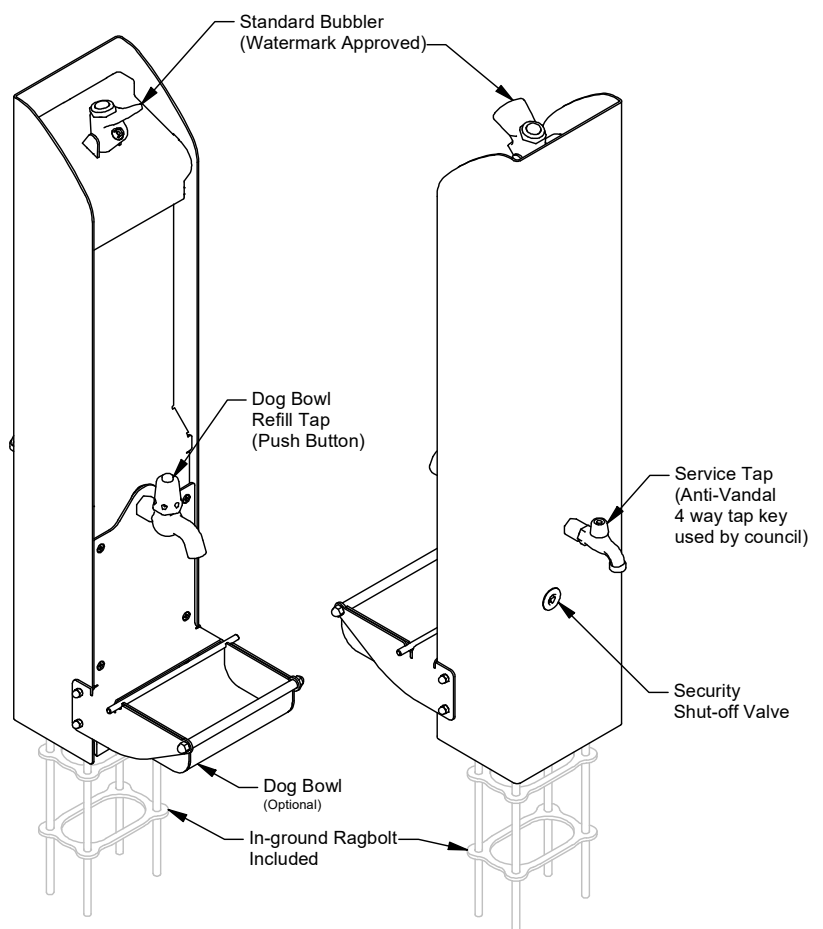


Draffin Street Furniture Website

- General product and contact information

NOTE:

- The Brisbane Drinking Fountain is supplied assembled with all chosen options.
- The fountain's internal plumbing has been factory pressure tested to ensure correct operation with no leaks.
- Modifications of the fountain, including internal plumbing, may void warranty.
- If there is a fault with the internal plumbing, please contact Draffin Street Furniture before proceeding.
- The fountain is not supplied with any form of filtration. If this is required for the installation location, it is the responsibility of the installer to supply and fit before the feed connection.



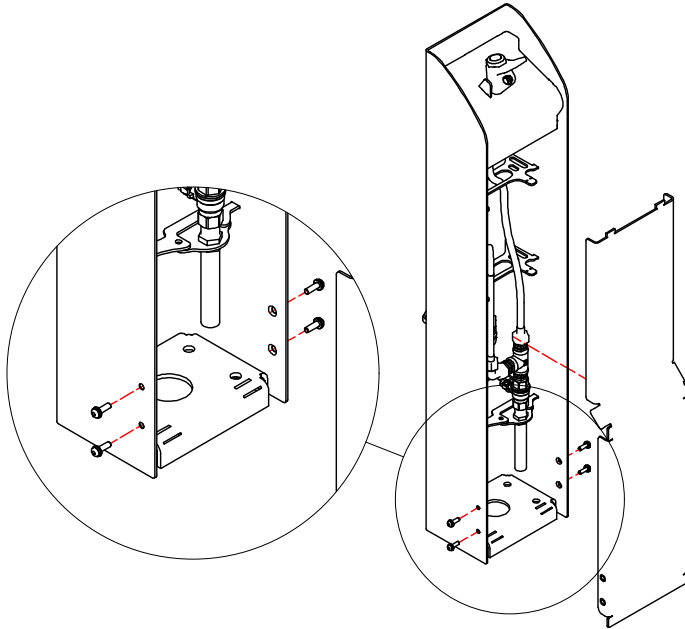
Brisbane Drinking Fountain

89118

DRAFFIN
Street Furniture



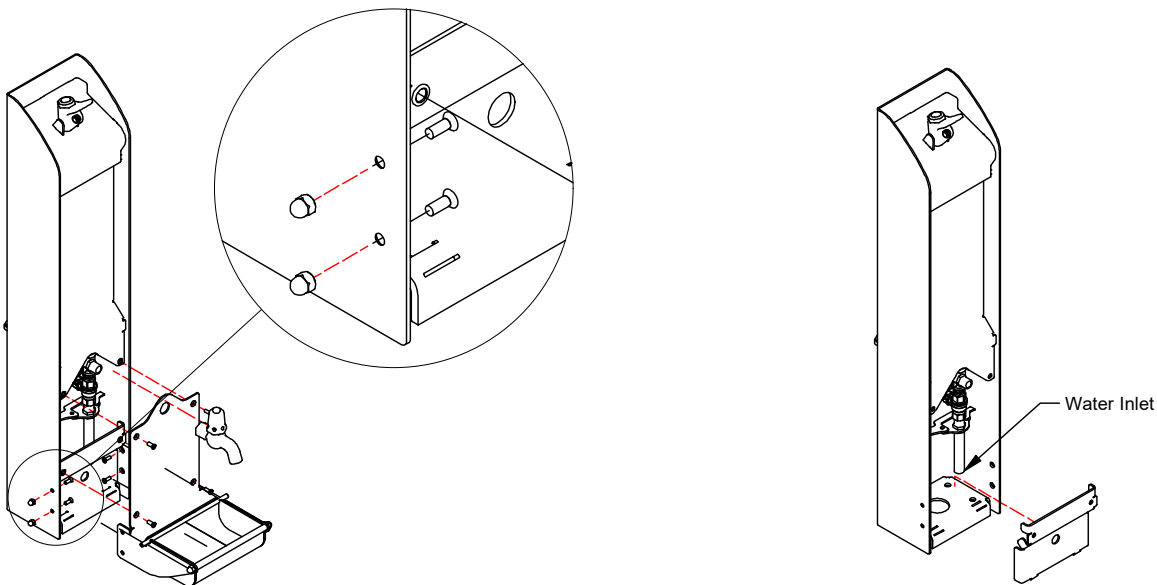
Installation of Brisbane Drinking Fountain (no dog bowl):



Remove screws on the side panel that secure the front plate to the drinking fountain, then drop and slide out the front plate shown in the diagram, this will allow access to the water inlet and base for mounting.

Follow the steps outlined in the next page for installation of the Ragbolt. Once installation is complete, perform these steps in reverse to reassemble the Brisbane Drinking Fountain.

Installation of Brisbane Drinking Fountain with dog bowl option:



To access the water inlet and base, remove the dog bowl refill tap, then remove all the screws of the dog bowl attachment, this should allow the plate to slide off.

Now, lift and slide out the plate shown in the diagram, this will allow access to the water inlet and base for mounting. Follow the steps outlined in the next page for installation of the Ragbolt. Once installation is complete, perform these steps in reverse to reassemble the Brisbane Drinking Fountain.

Brisbane Drinking Fountain

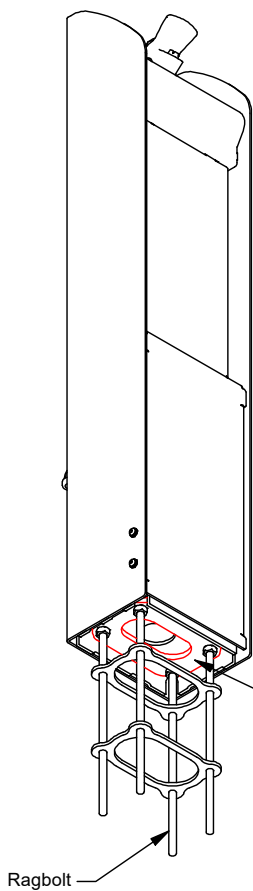
89118

DRAFFIN
Street Furniture



Installation using supplied Ragbolt

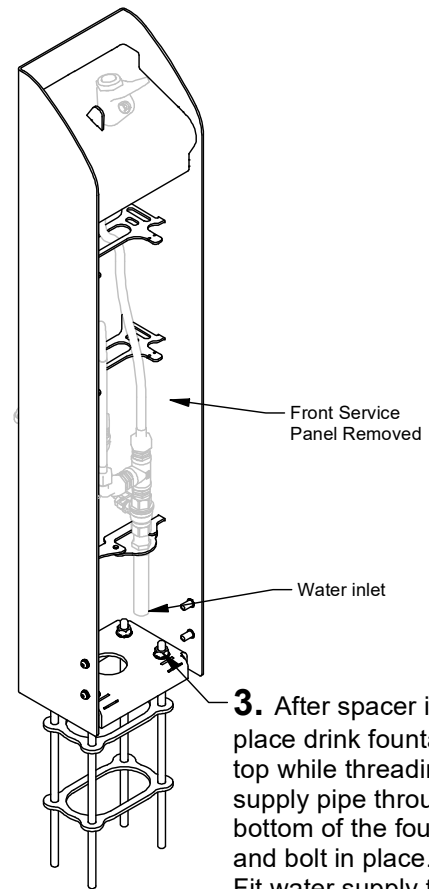
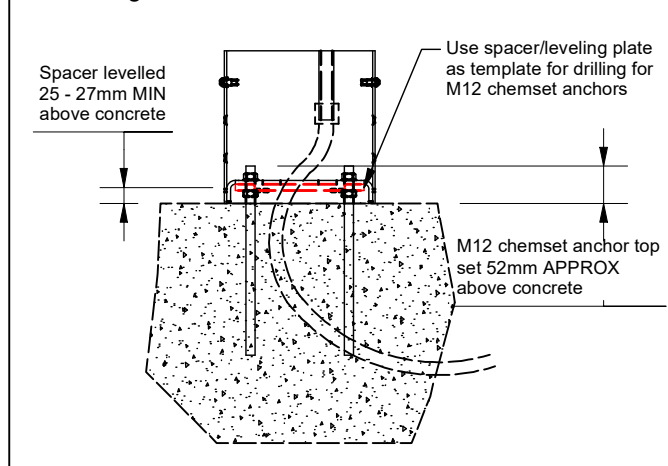
1. Pour concrete footing with ragbolt and water supply in place. Top of ragbolt must be installed 52mm above concrete.
2. Apply Leveling/Spacer plate and level in both directions using supplied bolts and washers approximately 25-27mm above concrete.
3. With front service panel removed, thread water supply pipe through the bottom of the drink fountain and align holes with ragbolt to bolt in place on top of spacer.



1. Lay concrete around water supply pipe and ragbolt. Ensure top of ragbolt is 52mm (approx.) above top of concrete

2. **Leveling and Spacer Plate**
Using spirit level both directions - ensure this plate is made level using supplied flat washer and nuts both side of plate

Bolt-down (without ragbolt)
Use this method when mounting fountain on existing concrete with water outlet.



3. After spacer is level, place drink fountain on top while threading water supply pipe through the bottom of the fountain and bolt in place. Fit water supply to inlet.

