

Rectangle Satellite Table Setting

88979/RP (Plastic Top)

DRAFFIN
Street Furniture

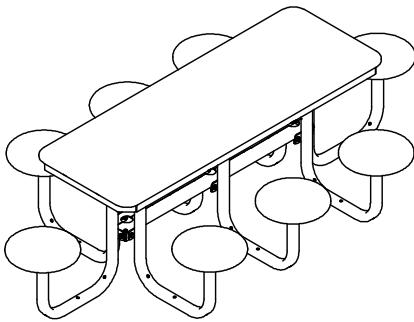


- These are generic instructions for the installation of Draffin Street Furniture's Rectangle Satellite Table Setting.
- This product should be installed by an appropriately qualified or skilled person.
- These instructions cover the assembly of various suite options, component quantities may vary.
- Further information is available by contacting Draffin Street Furniture (www.draffin.com.au) via the following QR code:

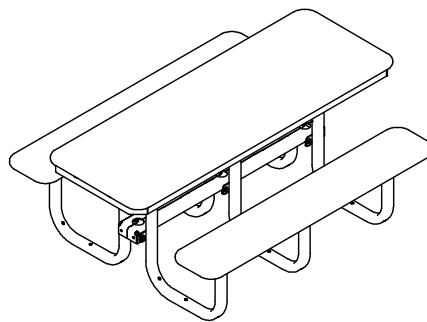


Draffin Street Furniture Website
• General product and contact information

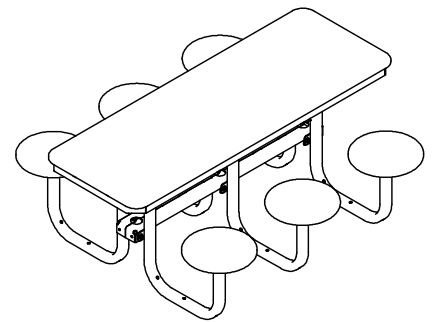
88979/B/X/RP/0P/8D
(8 Disc Seats)



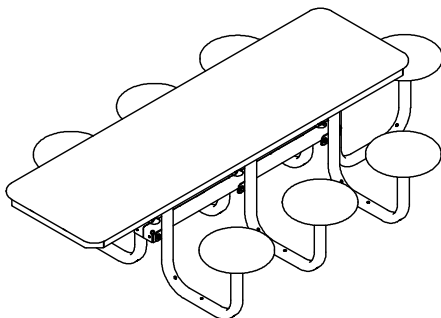
88979/B/X/RP/6P/0D
(2 Plank Seats)



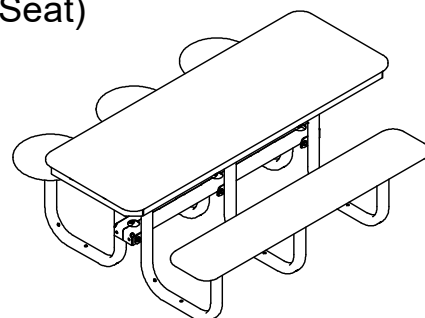
88979/B/X/RP/0P/6D
(6 Disc Seats)



88979/WC/B/X/RP/0P/7D
(Wheelchair Accessible 7 Disc Seats)



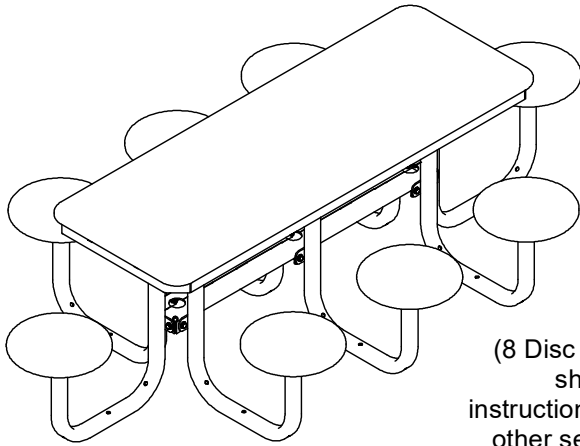
88979/B/X/RP/3P/3D
(3 Disc Seats, 1 Plank Seat)



Rectangle Satellite Table Setting

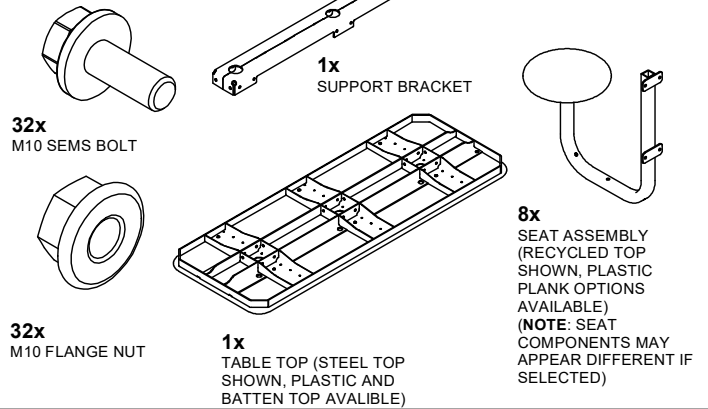
88979/RP (Plastic Top)

DRAFFIN
Street Furniture



(8 Disc Seat Table shown, same instructions apply for other seat options)

COMPONENTS:



1.

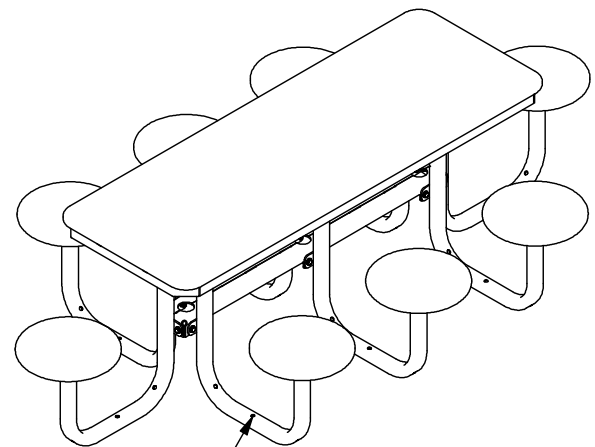
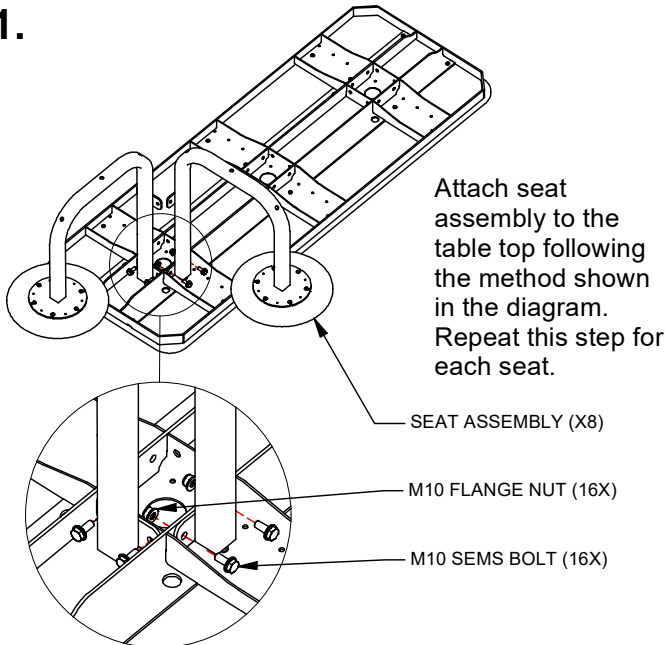
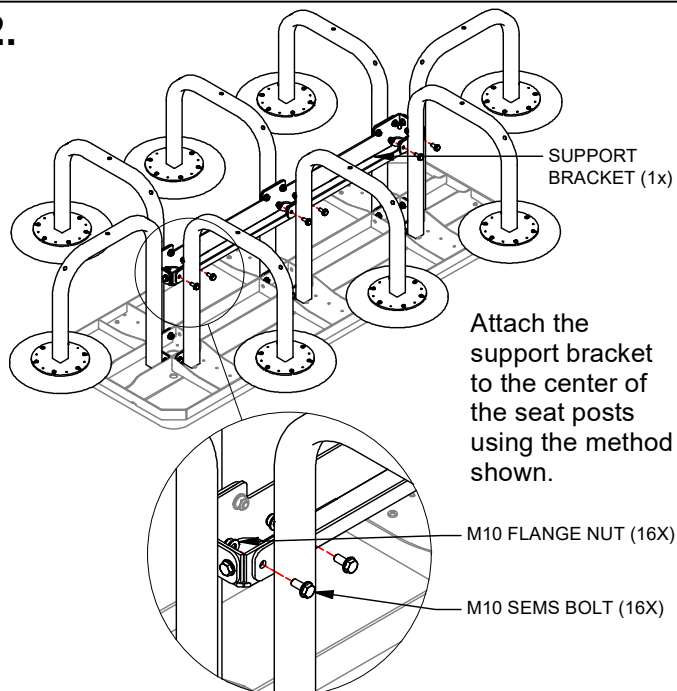


Table setting can be anchored to the ground if required with up to 1/2" anchors

2.



Rotate table to upright position, then your table is ready for use.