

8 Seat Satellite Table Setting

88760-8 (Steel Top)
88760-8-RP (Plastic Top)
89150 (Batten Top)

DRAFFIN
Street Furniture

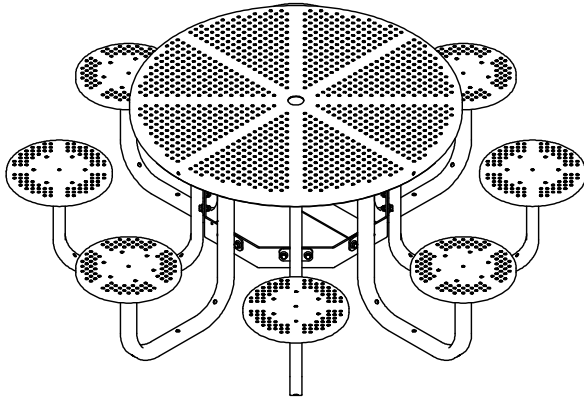


- These are generic instructions for the installation of Draffin Street Furniture's 8 Seat Satellite Table Setting.
- This product should be installed by an appropriately qualified or skilled person.
- These instructions cover the assembly of various suite options, component quantities may vary.
- Further information is available by contacting Draffin Street Furniture (www.draffin.com.au) via the following QR code:

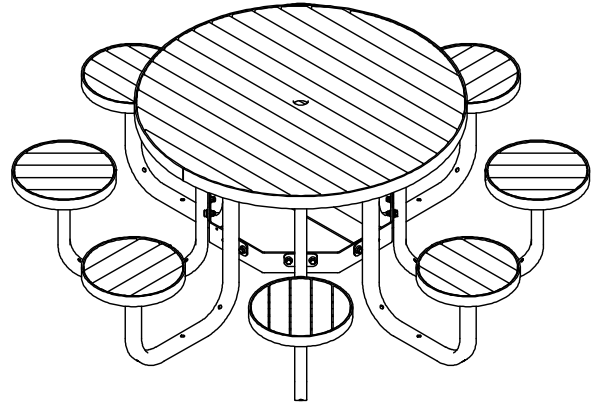


Draffin Street Furniture Website
• General product and contact information

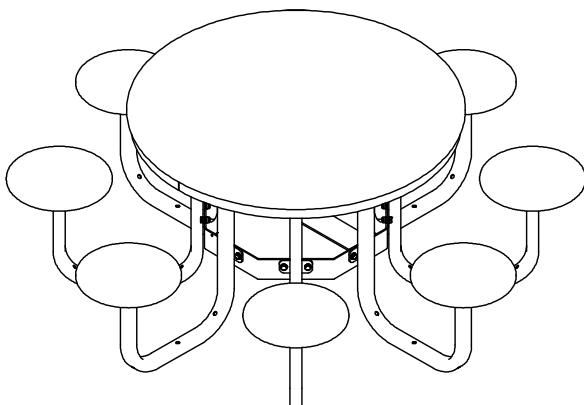
88760-8 (Steel Top Table Setting)



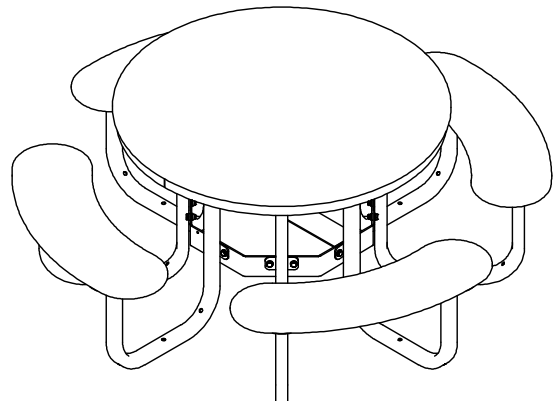
89150 (Batten Top Table Setting)



88760-8-RP (Plastic Top, Disc Seats)



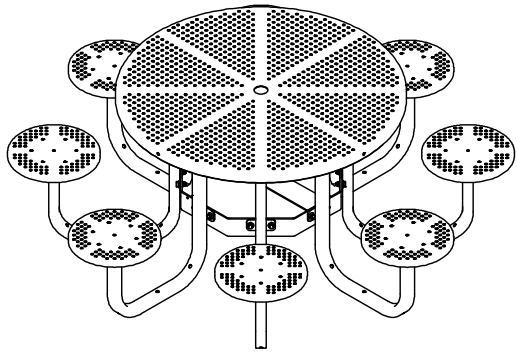
88760-8-RP (Plastic Top, Jellybean Seats)



8 Seat Satellite Table Setting

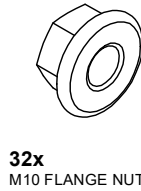
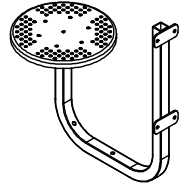
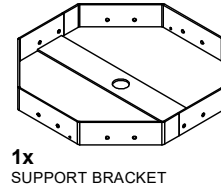
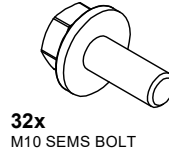
88760-8 (Steel Top)
 88760-8-RP (Plastic Top)
 89150 (Batten Top)

DRAFFIN
 Street Furniture

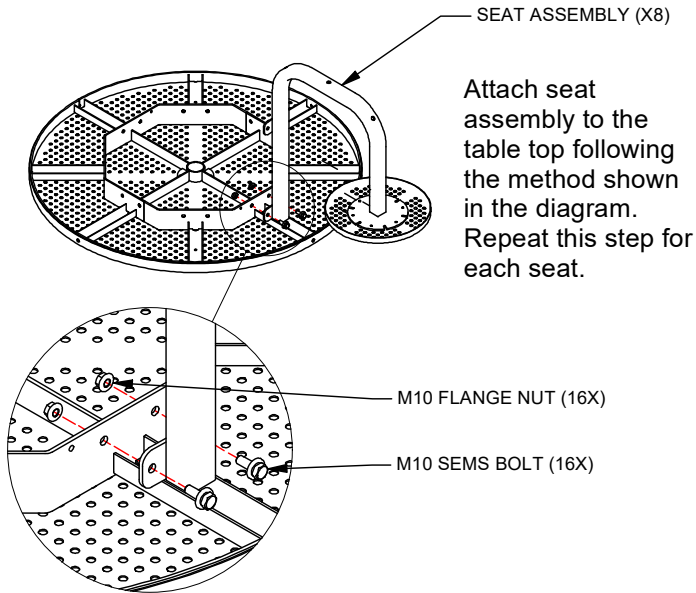


(Steel top shown, same instructions apply for the batten and plastic top options)

COMPONENTS:



1.



2.

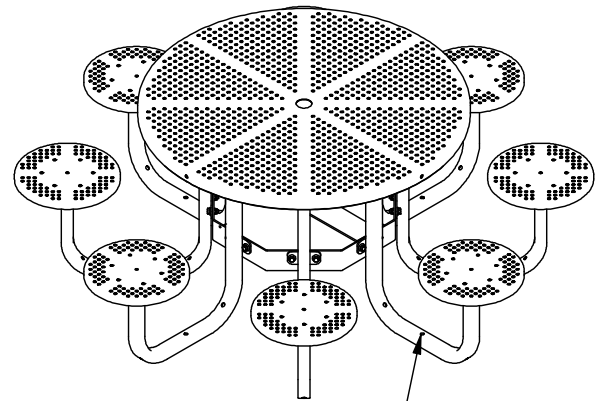
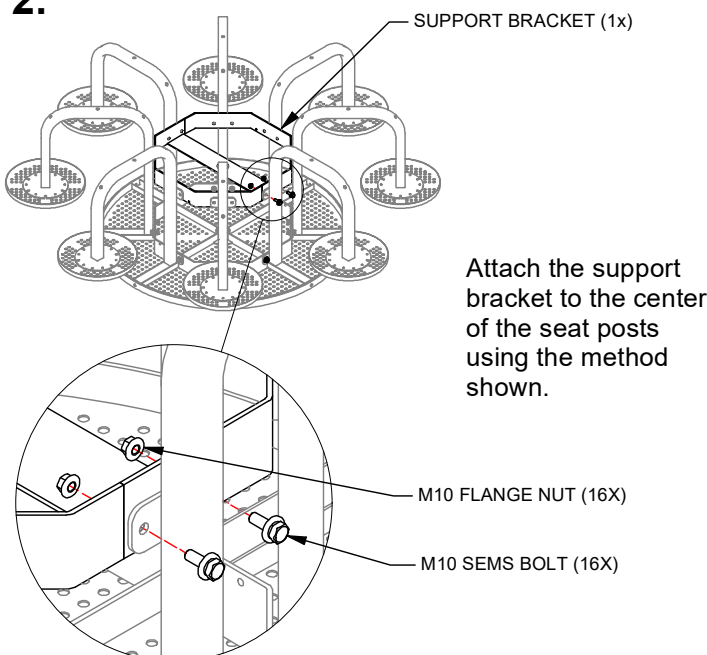


Table setting can be anchored to the ground if required with up to 1/2" anchors

Rotate table to upright position, then your table is ready for use.