

Satellite Cafe Table Setting

88760-4 (Steel Top)
88760-4-RP (Plastic Top)
89150-4 (Batten Top)
89150-3 (Batten Top)

DRAFFIN
Street Furniture

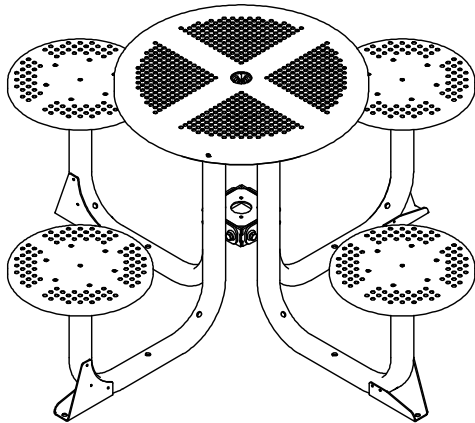


- These are generic instructions for the installation of Draffin Street Furniture's Satellite Cafe Table Setting.
- This product should be installed by an appropriately qualified or skilled person.
- These instructions cover the assembly of various suite options, component quantities may vary.
- Further information is available by contacting Draffin Street Furniture (www.draffin.com.au) via the following QR code:

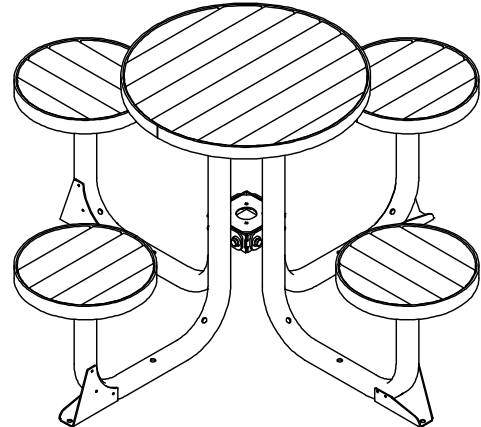


Draffin Street Furniture Website
• General product and contact information

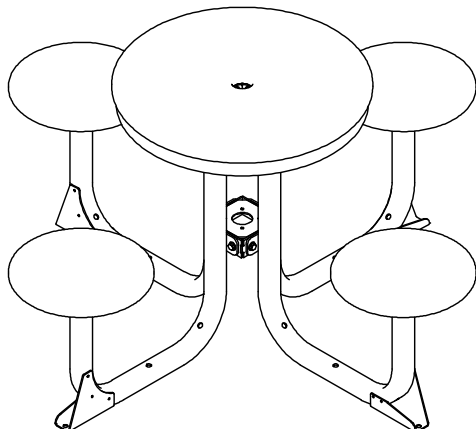
88760-4 (Steel Top Table Setting)



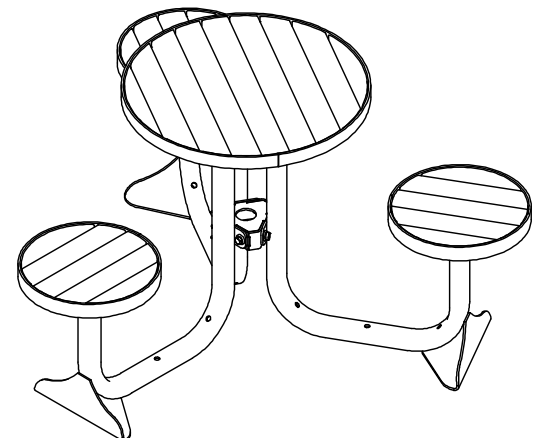
89150-4 (Batten Top Table Setting)



88760-4-RP (Plastic Top)



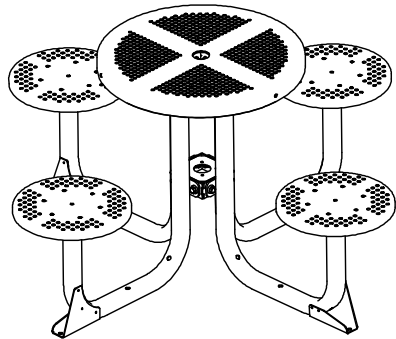
89150-3 (Batten Top)



Satellite Cafe Table Setting

88760-4 (Steel Top)
 88760-4-RP (Plastic Top)
 89150-4 (Batten Top)
 89150-3 (Batten Top)

■ DRAFFIN ■
 Street Furniture



(Steel top shown, same instructions apply for the batten and plastic top options)

COMPONENTS:

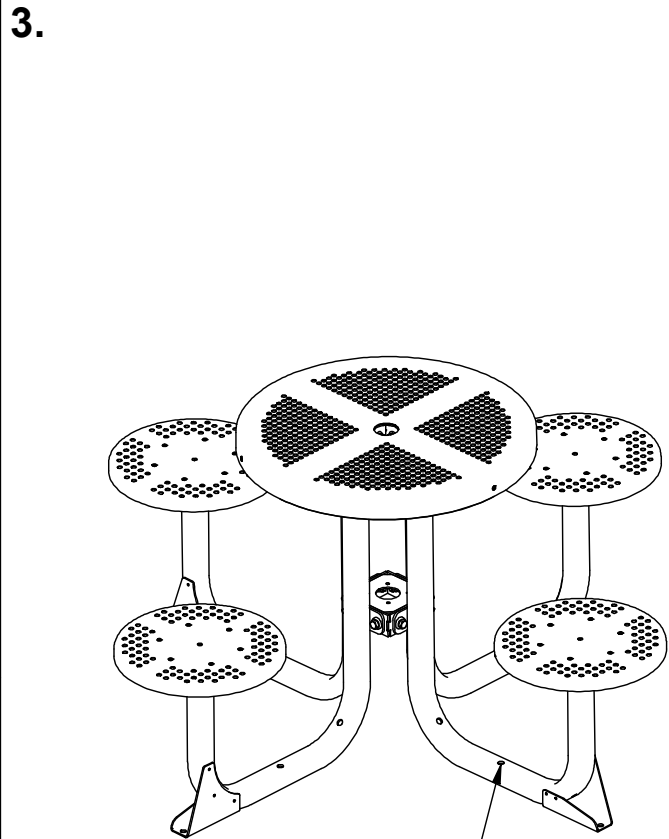
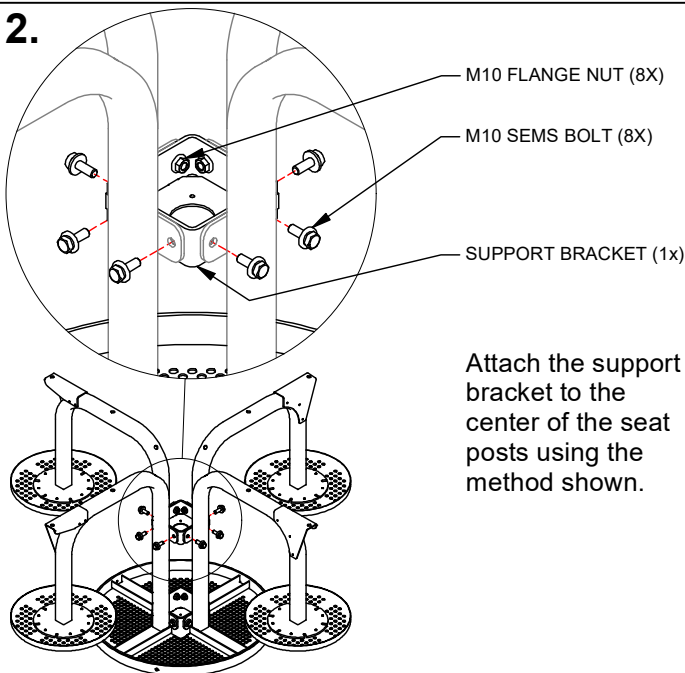
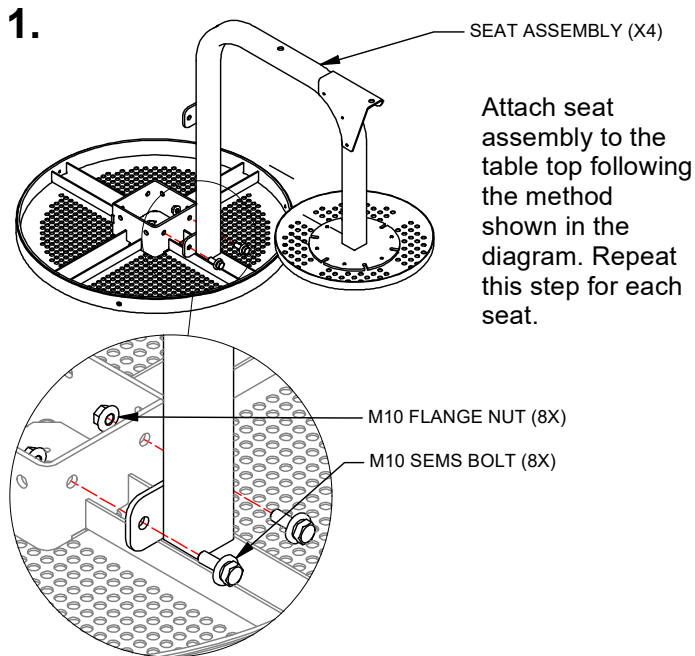
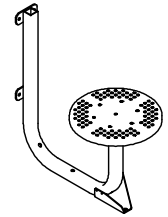
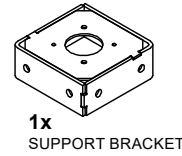
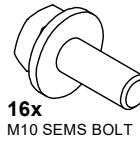


Table setting can be anchored to the ground if required with up to 1/2" anchors

Rotate table to upright position, then your table is ready for use.