

Twelve Seat Satellite Setting

88760/12/RP/12D (Plastic Top, Disc seats)

88760/12/RP/4JB/4D (Plastic Top, Jellybean Seats)

DRAFFIN
Street Furniture



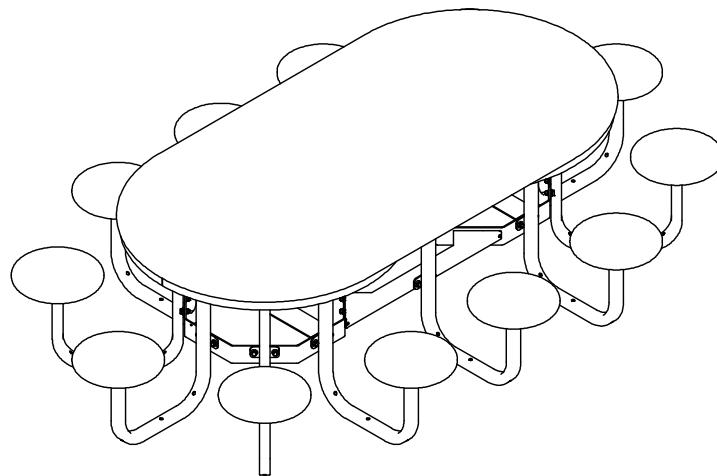
- These are generic instructions for the installation of Draffin Street Furniture's Twelve Seat Satellite Setting.
- This product should be installed by an appropriately qualified or skilled person.
- These instructions cover the assembly of various seat options, component quantities and appearances may vary.
- Further information is available by contacting Draffin Street Furniture (www.draffin.com.au) via the following QR code:



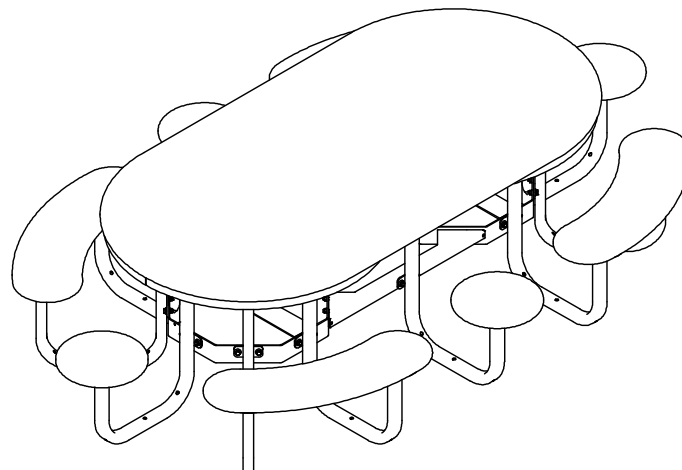
Draffin Street Furniture Website

- General product and contact information

88760/12/RP/12D (Plastic Top, Disc Seats)



88760/12/RP/4JB/4D (Plastic Top, Jellybean Seats)



Twelve Seat Satellite Setting

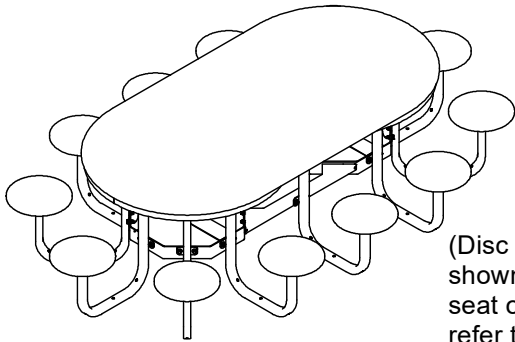
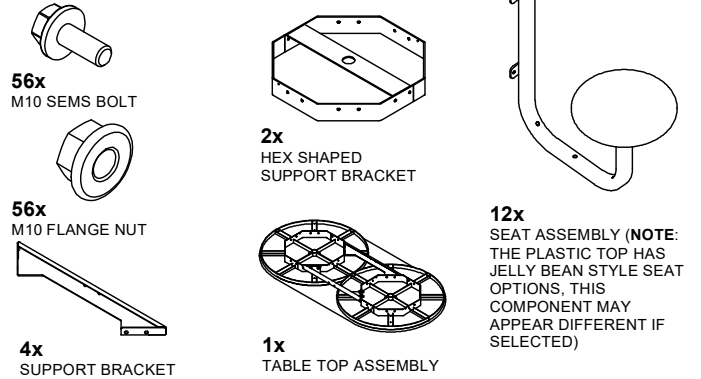
88760/12/RP/12D (Plastic Top, Disc seats)

88760/12/RP/4JB/4D (Plastic Top, Jellybean Seats)

DRAFFIN
Street Furniture

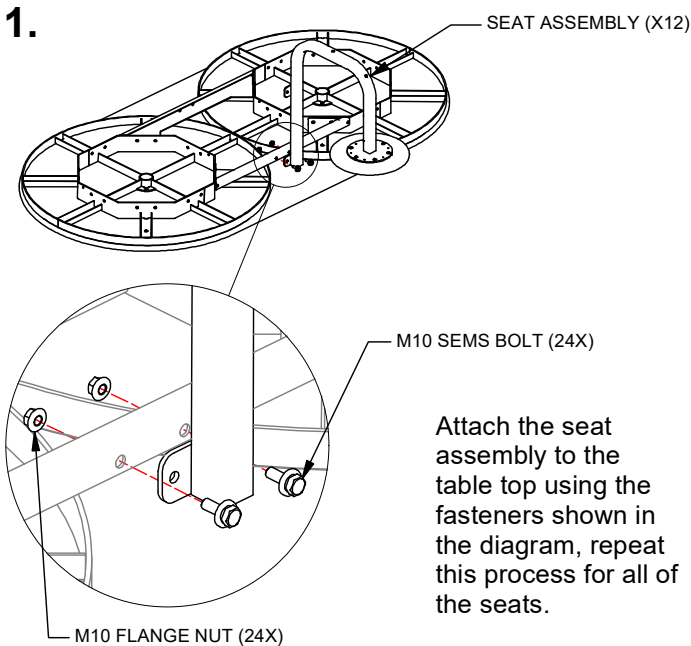


COMPONENTS:

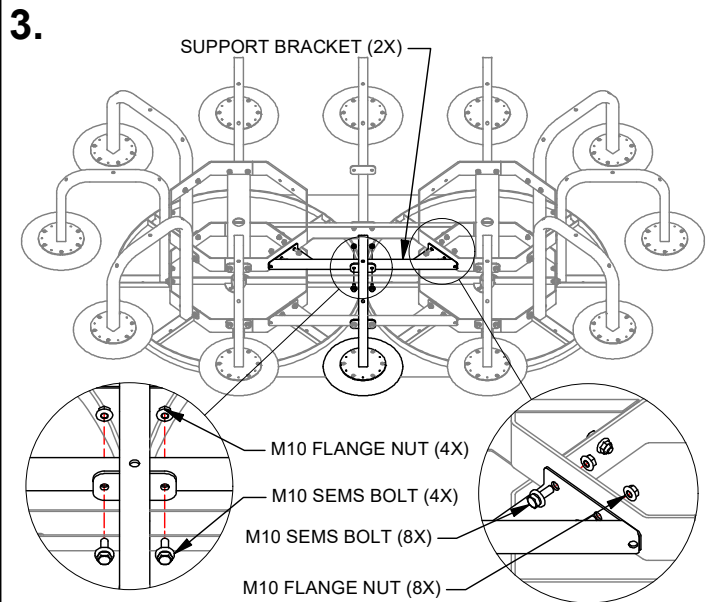


(Disc seat option shown, Jellybean seat option available, refer to cover page for seat placement)

1.

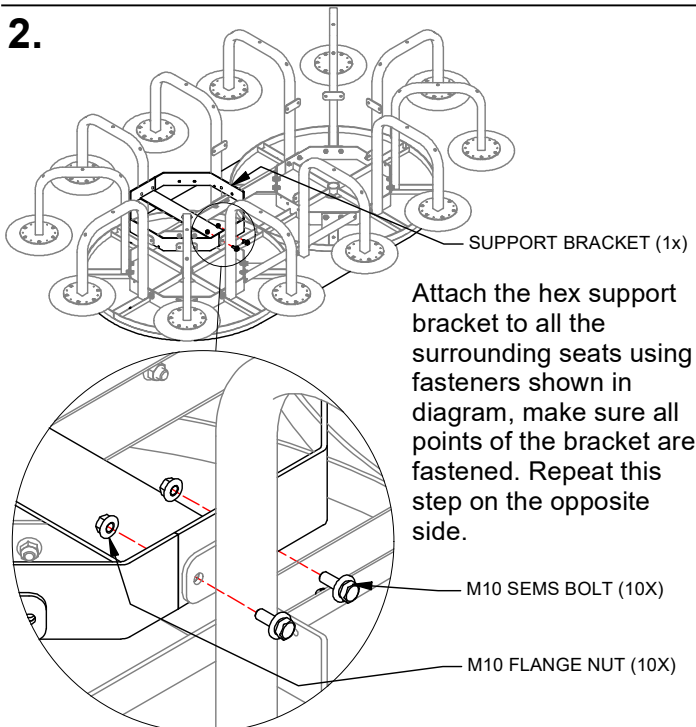


3.



Attach the support bracket to both hex shaped brackets using fasteners shown in diagram, make sure all points of the bracket are fastened. Repeat this step on the opposite side.

2.



4.

