

Eat n' Shade

88507 (Eat 'n' Shade)
88507/BROAD (Eat 'n' Shade Broad Roof)

DRAFFIN
Street Furniture

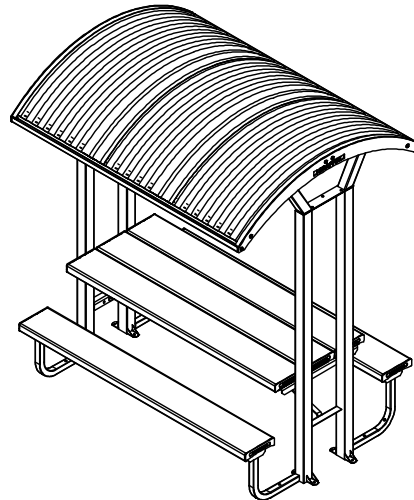


- These are generic instructions for the installation of Draffin Street Furniture's Park Shelter Suite.
- This product should be installed by an appropriately qualified or skilled person.
- These instructions cover the assembly of various suite options, component quantities and appearances may vary.
- Further information is available by contacting Draffin Street Furniture (www.draffin.com.au) via the following QR code:

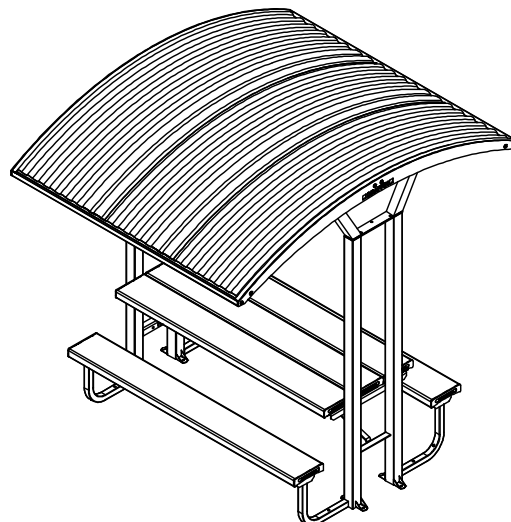


Draffin Street Furniture Website
• General product and contact information

88507 (Eat 'n' Shade)



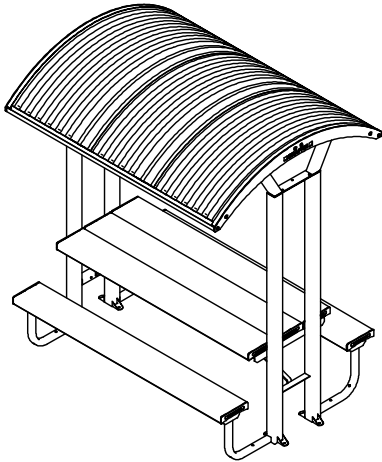
88507/BROAD (Eat 'n' Shade Broad Roof)



Eat n' Shade

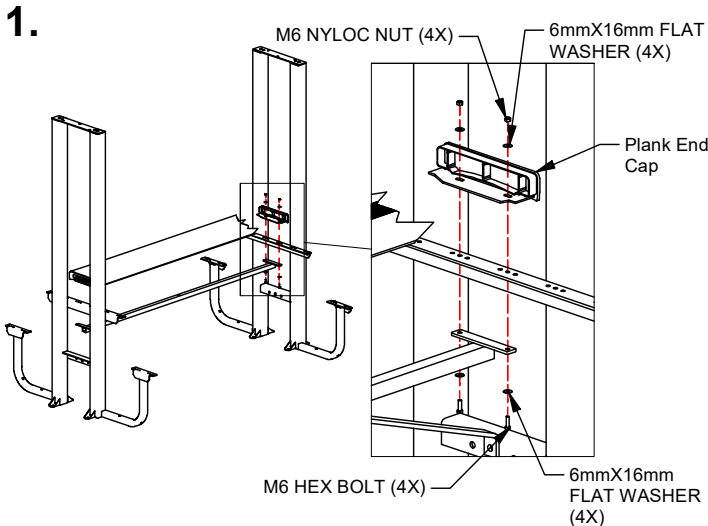
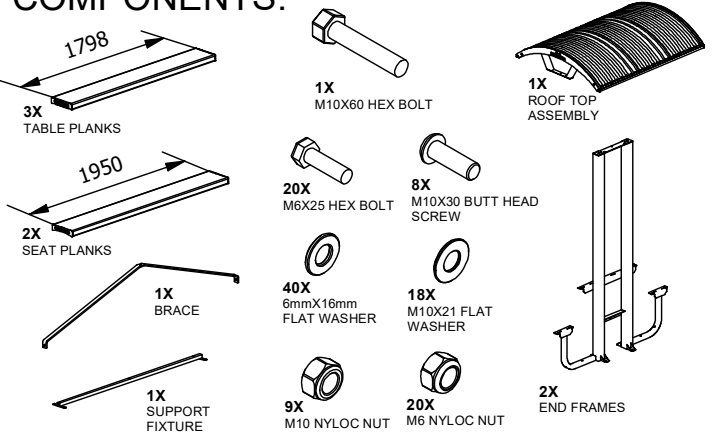
88507 (Eat 'n' Shade)
88507/BROAD (Eat 'n' Shade Broad Roof)

DRAFFIN
Street Furniture

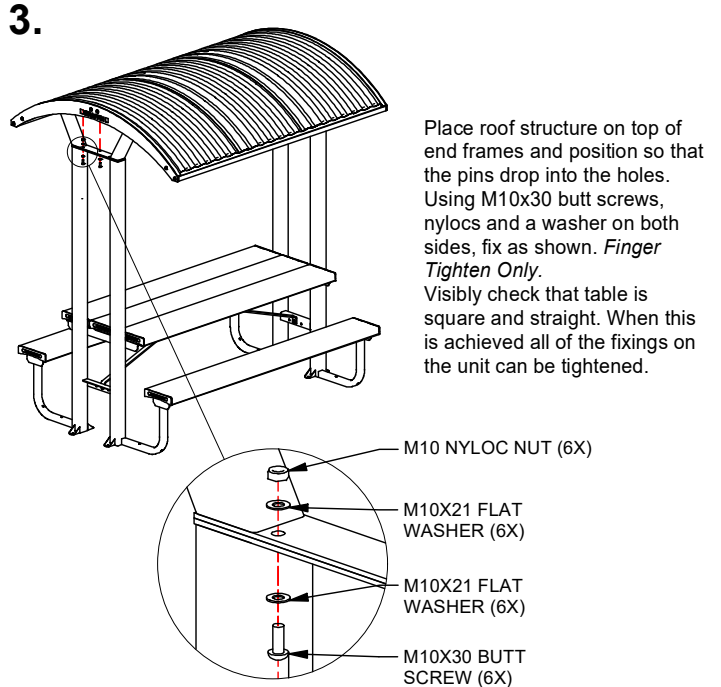


(88507 model shown, other options available, same instructions apply)

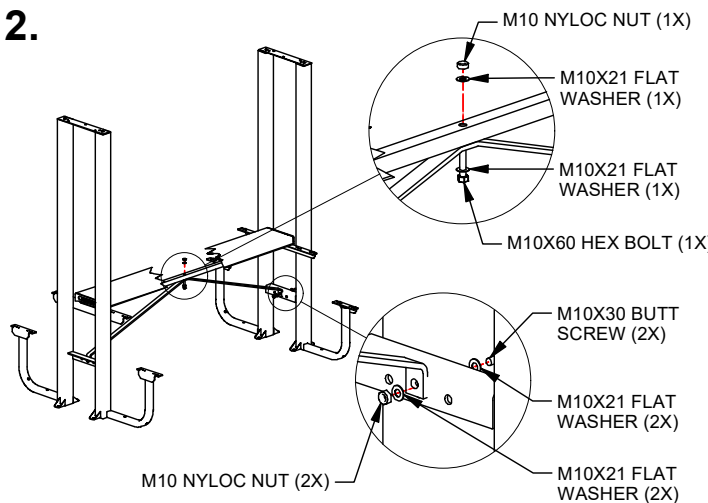
COMPONENTS:



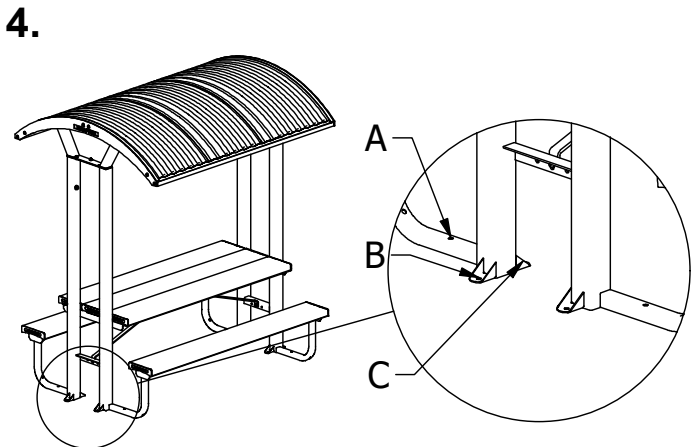
Locate 2 end frames. Arrange end frames so that they are approximately 1786mm apart, facing each other as shown. Locate a table plank and support fixture. Rest table plank on centre of frame. Hold support fixture under frame in-line with plank. From the top, insert M6 hex bolt and washer both holes in each end and fit M6 hex nut with washer.
Finger Tighten Only.



Place roof structure on top of end frames and position so that the pins drop into the holes. Using M10x30 butt screws, nylocs and a washer on both sides, fix as shown. *Finger Tighten Only.* Visibly check that table is square and straight. When this is achieved all of the fixings on the unit can be tightened.



Locate Brace. Hold underneath support fixture and insert M10x60 Hex Bolt and washer through hole in centre. Fit M10 nyloc nut and washer to other side. Use M10x30 Butt Screw, washers and nylocs at each end of brace, fixing to the end frames as shown. Then, fasten the remaining seat and table planks to the frame as done in step 1.



WARNING: THIS IS NOT A FREE-STANDING UNIT

This unit is designed to be bolted down to a fixed surface such as concrete, and is dangerous to leave unfixed. It is suggested that all six fixing points are used at each end of the table (eg. Dynabolts) to ensure the unit is secured.