

Square Aluminium Picnic Table

Model 136/SQR/AL - Square Aluminium Picnic Table

DRAFFIN
Street Furniture



The Square Aluminium 4 Sided Picnic Table is an economical setting using 250mm x 50mm reinforced aluminium planks for strength. Hot-dip galvanised mild steel frames, with side benches that cleverly brace the structure, forming a classic heavy-duty picnic setting that can be used for freestanding or bolt-down applications.

Batten Options (See Batten Guide)

Aluminium Planks 250mm x 50mm

- Anodised Aluminium
- Powdercoated Aluminium
- Timber-Look Aluminium - Mountain Gum
- Timber-Look Aluminium - Alpine Ash
- Timber-Look Aluminium - Ironbark

Mounting Options

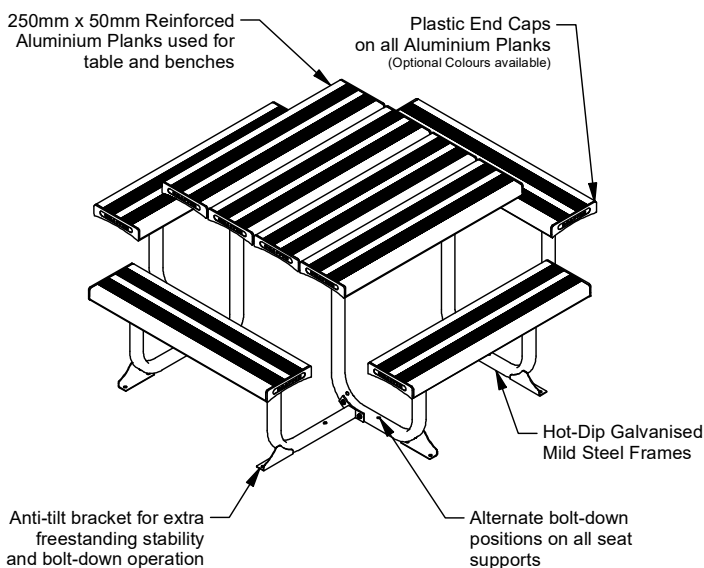
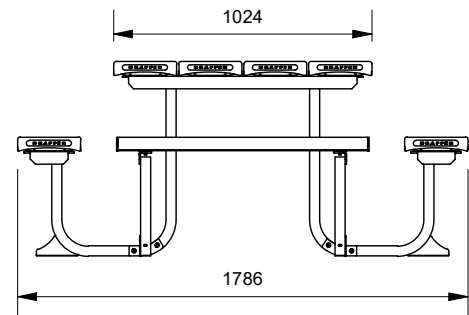
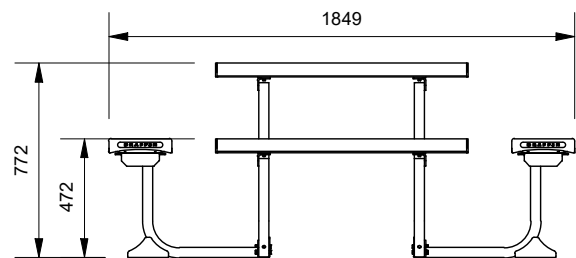
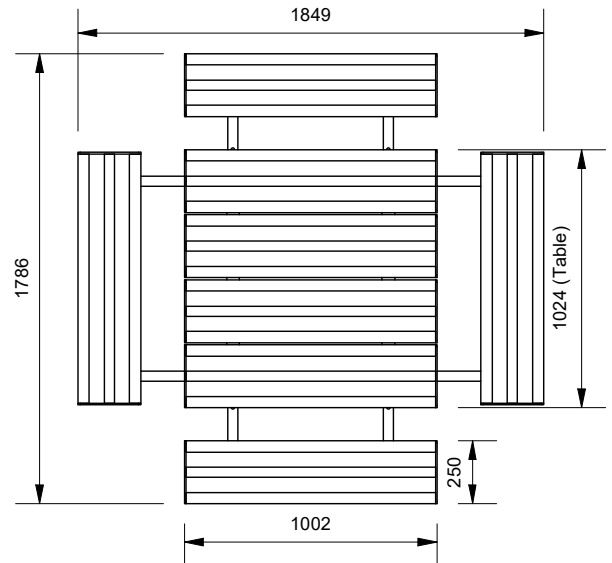
- Bolt Down
- Freestanding
- In-Ground Anchors

Plank End Caps

- Standard Grey
- Coloured

Other Options

- Powdercoated Frames (See Colour Guide)
- Chess Board Insert



More information:
Go to the website for spec inspiration.
136/SQR/AL - Square Aluminium 4 Sided Picnic Table
<https://draffin.com.au/product/square-4-sided-picnic-table-aluminium/>

Plank Colour Guide
<https://draffin.com.au/batten-guide/>

Colour Guide
<https://draffin.com.au/colour-guide/>