

Four Sided & Magnum Picnic Table

136/SQR (Square 4 Sided Picnic Table)
136/SQR/MAGNUM (Large Magnum Picnic Table)

DRAFFIN
Street Furniture

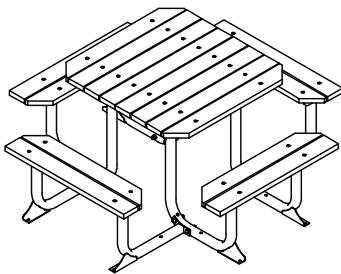


- These are generic instructions for the installation of Draffin Street Furniture's Four Sided & Magnum Picnic Table Settings.
- This product should be installed by an appropriately qualified or skilled person.
- These instructions cover the assembly of various suite options, component quantities and appearances may vary.
- Further information is available by contacting Draffin Street Furniture (www.draffin.com.au) via the following QR code:

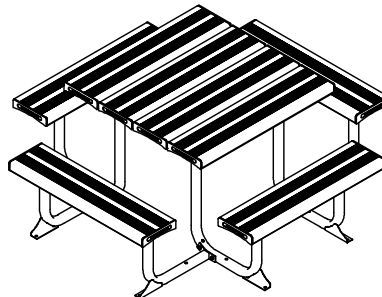


Draffin Street Furniture Website
• General product and contact information

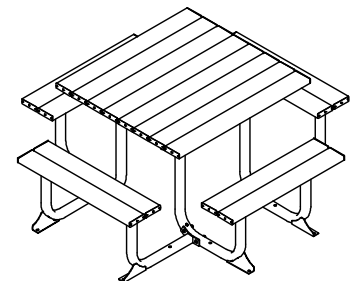
136/SQR



136/SQR/X/HW (+EV)
Hardwood and Enviroslat
Models

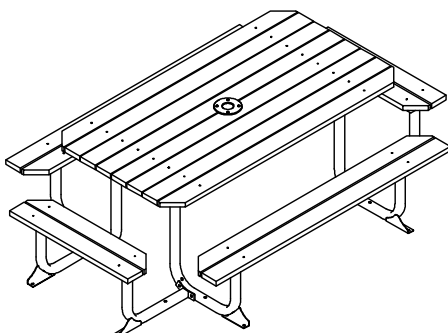


136/SQR/AL
Aluminium Plank
Models

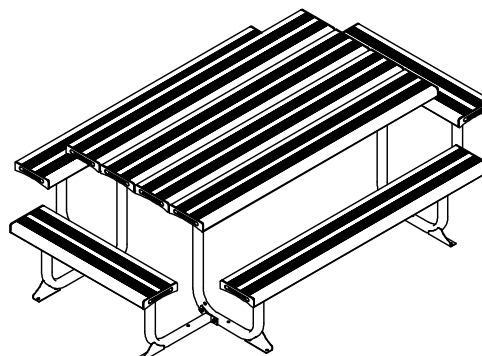


136/SQR/X/AL (+PA, +TA)
Aluminium Batten
Models

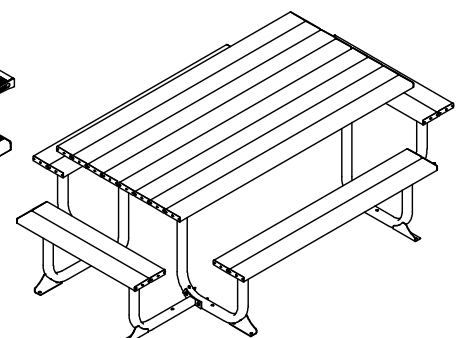
136/SQR/MAGNUM



136/SQR/MAGNUM/X/HW (+EV)
Hardwood and Enviroslat
Models



136/SQR/AL/MAGNUM
Aluminium Plank
Models



136/SQR/MAGNUM/X/AL (+PA, +TA)
Aluminium Batten
Models

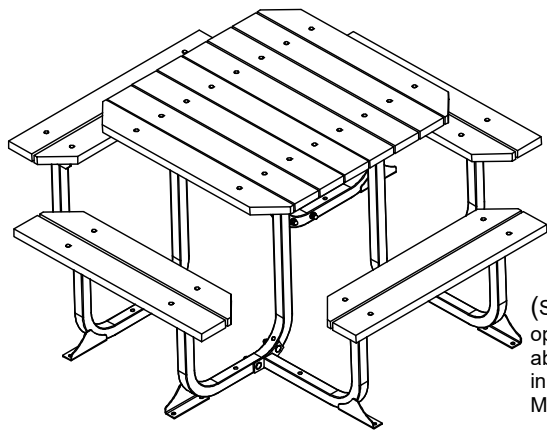
Four Sided & Magnum Picnic Table

Hardwood and Enviroslat Models

136/SQR/X/HW (+EV) (Square 4 Sided Picnic Table)

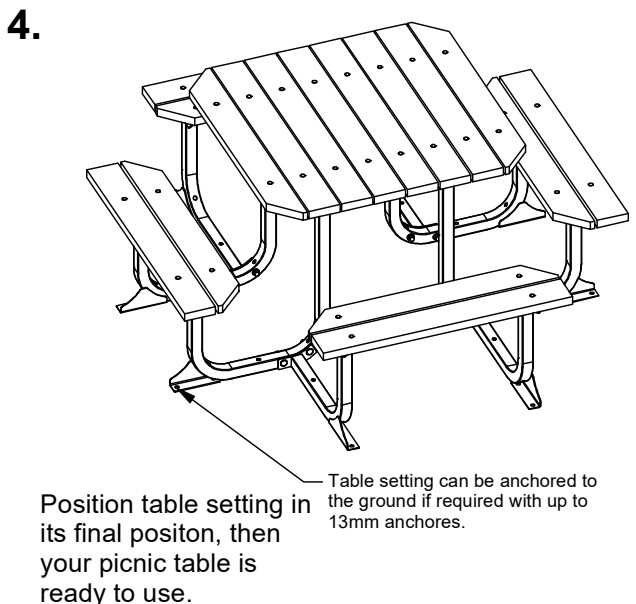
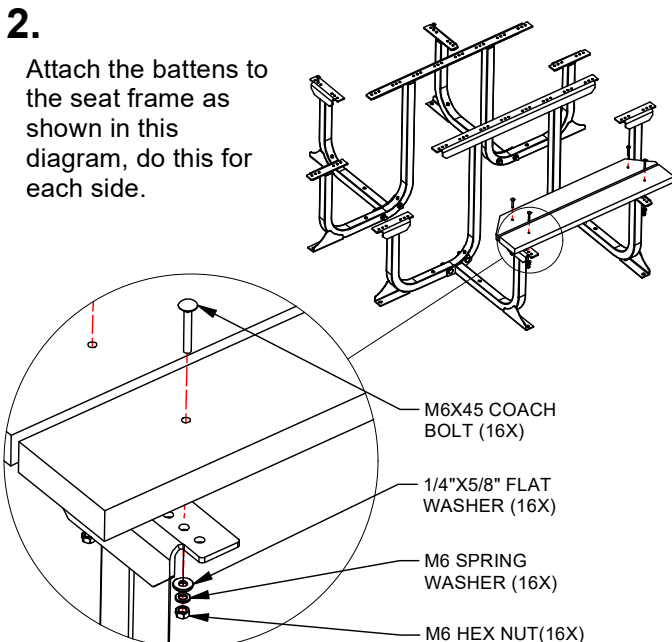
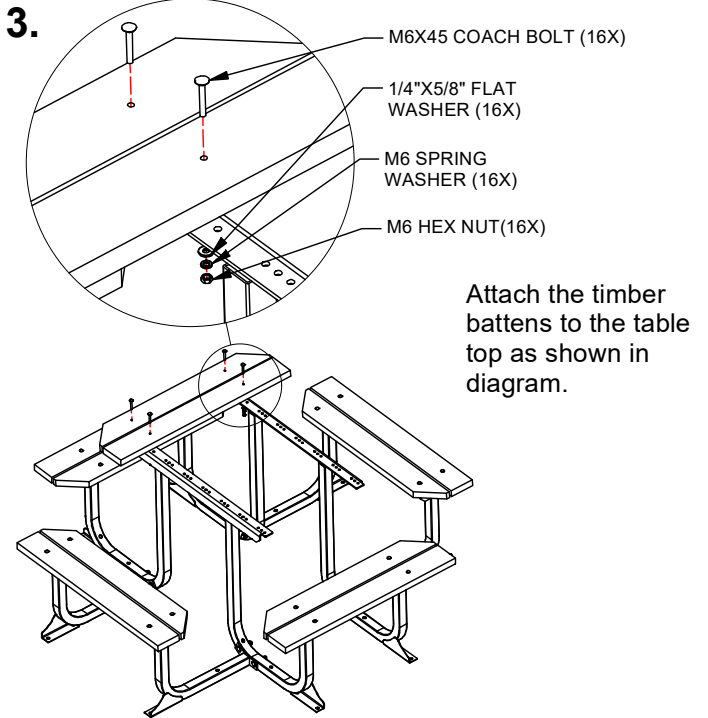
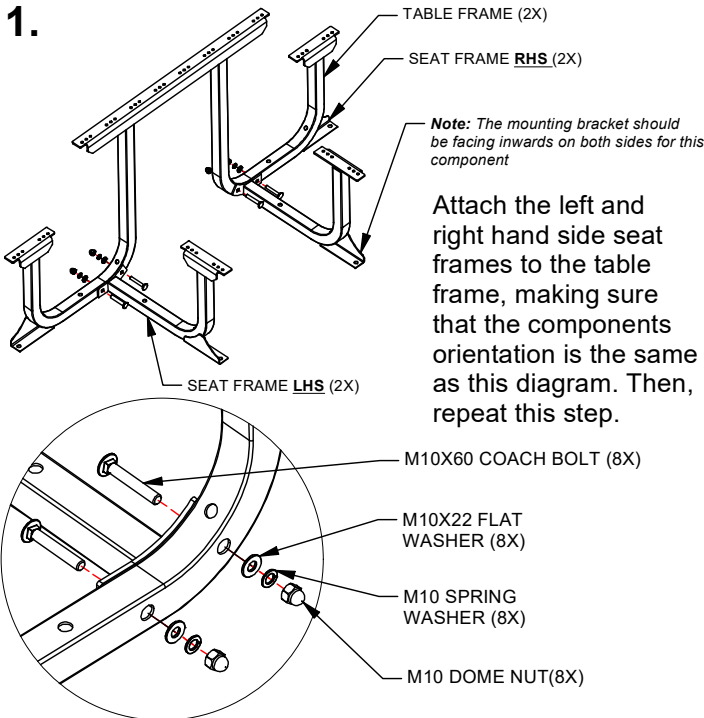
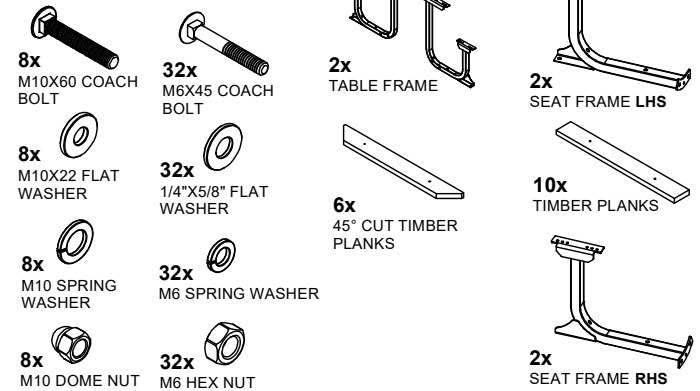
136/SQR/MAGNUM (+EV) (Large Magnum Picnic Table)

DRAFFIN
Street Furniture



(Square Table option shown above. The same instructions apply to Magnum models)

COMPONENTS:



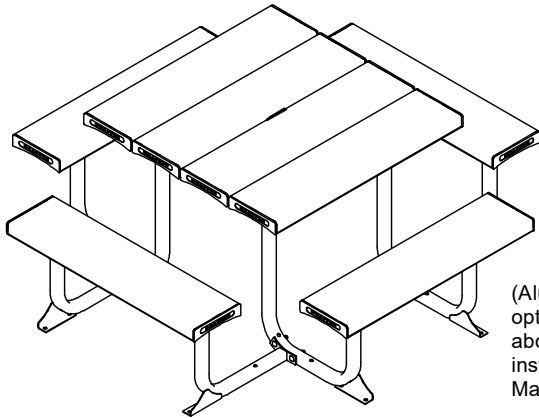
Four Sided & Magnum Picnic Table

DRAFFIN
Street Furniture

Aluminium Plank Models

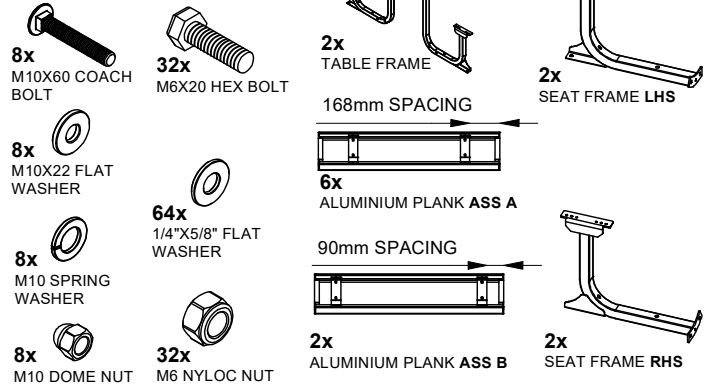
136/SQR/AL (Square 4 Sided Picnic Table)

136/SQR/MAGNUM/AL (Large Magnum Picnic Table)

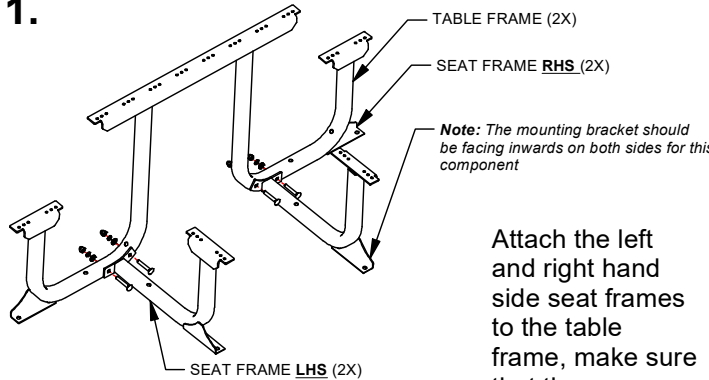


(Aluminium plank option shown above. The same instructions apply to Magnum models)

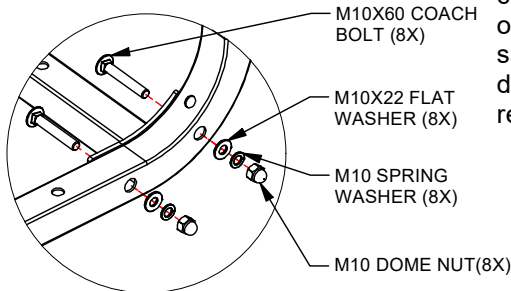
COMPONENTS:



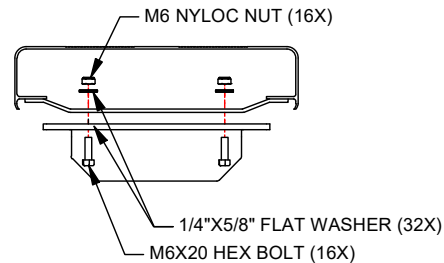
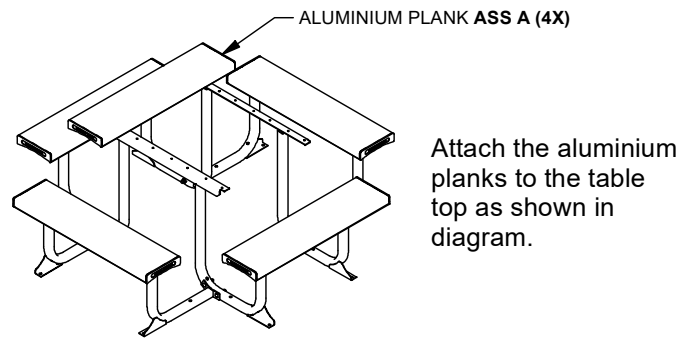
1.



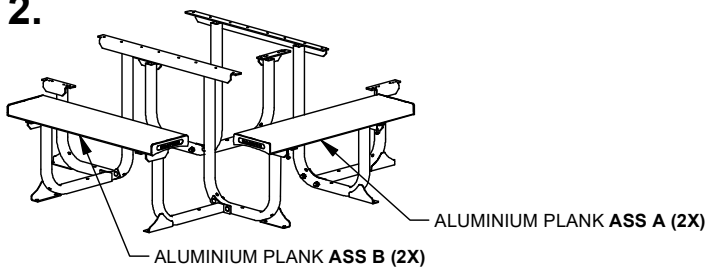
Attach the left and right hand side seat frames to the table frame, make sure that the components orientation is the same as this diagram. Then, repeat this step.



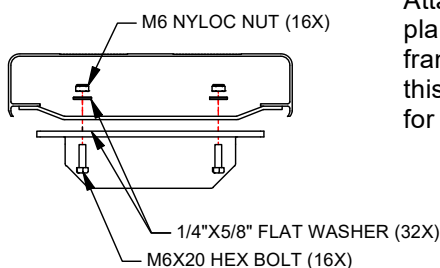
3.



2.



Attach the aluminium planks to the seat frame as shown in this diagram, do this for each side.



4.

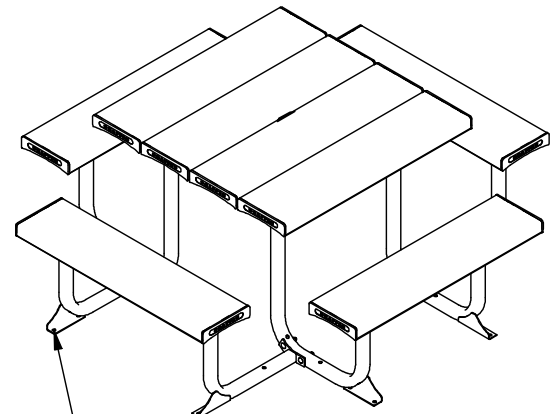


Table setting can be anchored to the ground if required with up to 13mm anchors.

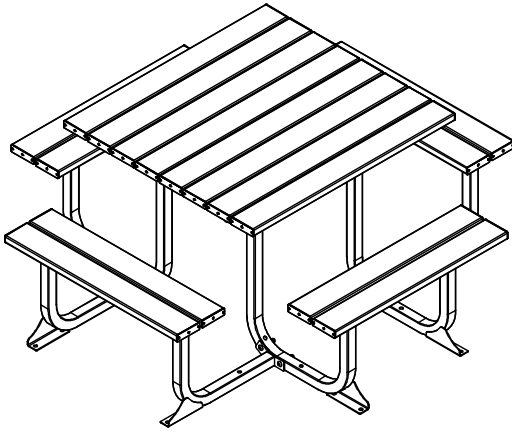
Position table setting in its final position, then your picnic table is ready to use.

Four Sided & Magnum Picnic Table

Aluminium Batten Models

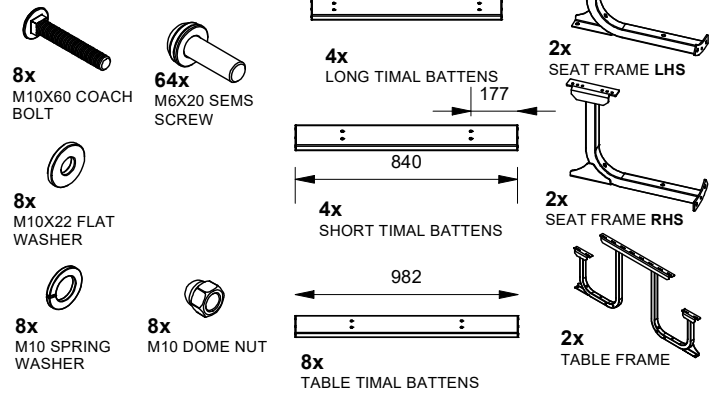
136/SQR/X/AL (+PA, +TA) (Square 4 Sided Picnic Table)

136/SQR/MAGNUM/X/AL (+PA, +TA) (Large Magnum Picnic Table)

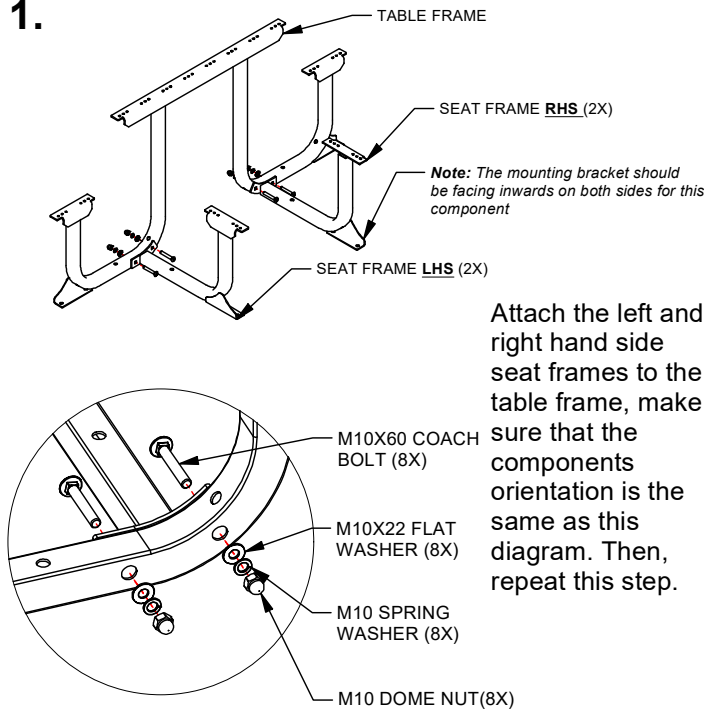


(Aluminium Batten option shown above. The same instructions apply to Magnum models)

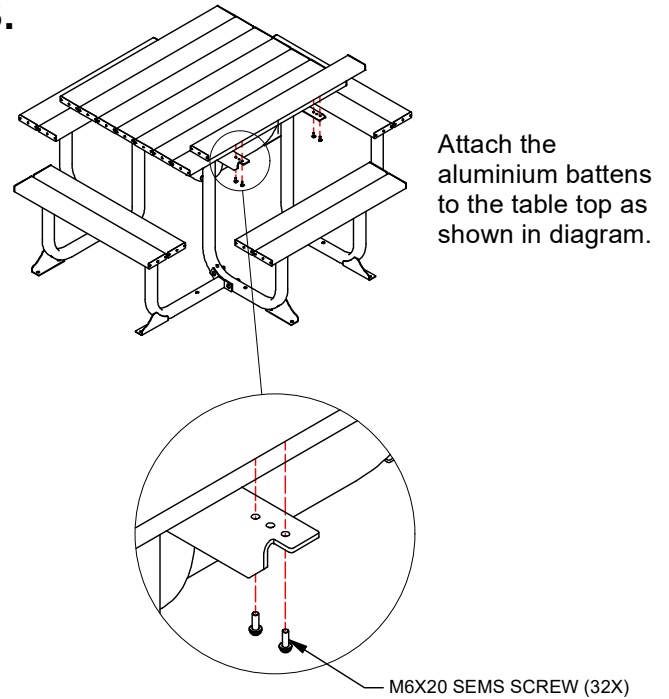
COMPONENTS:



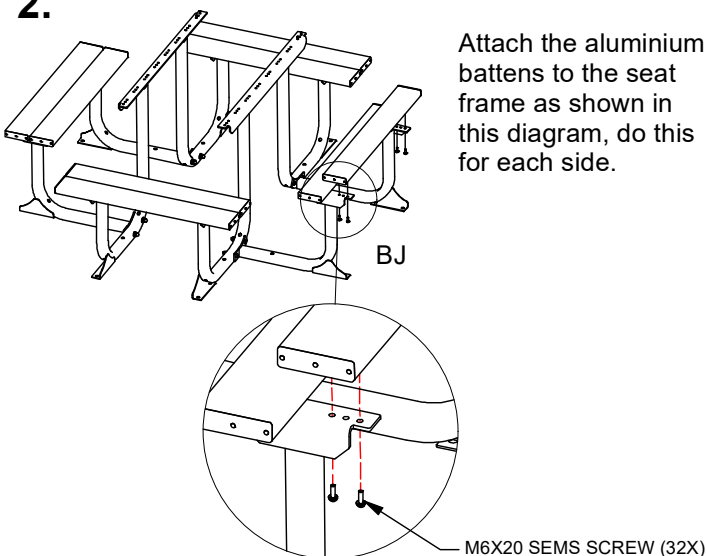
1.



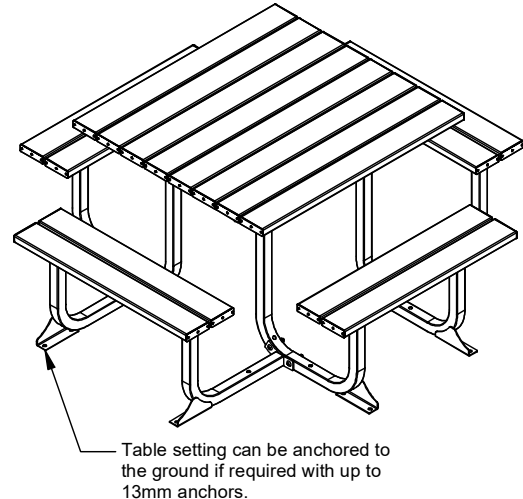
3.



2.



4.



Position table setting in its final position, then your picnic table is ready to use.