

# Heavy Duty Pedestal Tables

119/B (Batten Top)

119/AL/B (Aluminium Top)

119/RP/B (Plastic Top)

87916 (Heavy Duty Picnic Table)

87916/AL (Heavy Duty Aluminium Picnic Table)

88274 (Heavy Duty Chess Table)

**DRAFFIN**  
Street Furniture



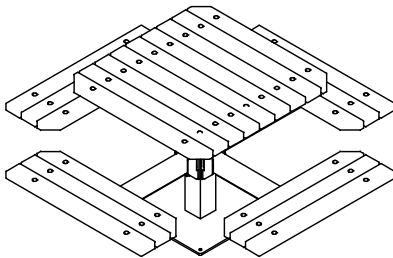
- These are generic instructions for the installation of Draffin Street Furniture's Pedestal Picnic Table Settings.
- This product should be installed by an appropriately qualified or skilled person.
- These instructions cover the assembly of various suite options, component quantities and appearances may vary.
- Further information is available by contacting Draffin Street Furniture ([www.draffin.com.au](http://www.draffin.com.au)) via the following QR code:



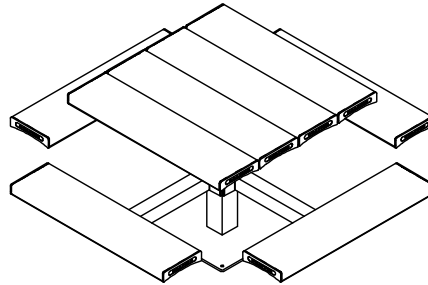
Draffin Street Furniture Website

- General product and contact information

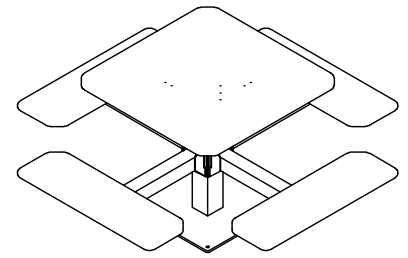
119/B (Batten Top)



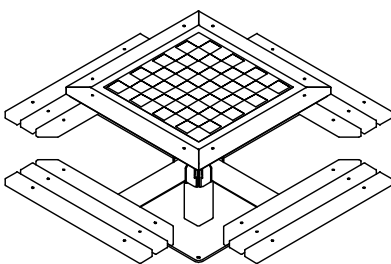
119/AL/B (Aluminium Top)



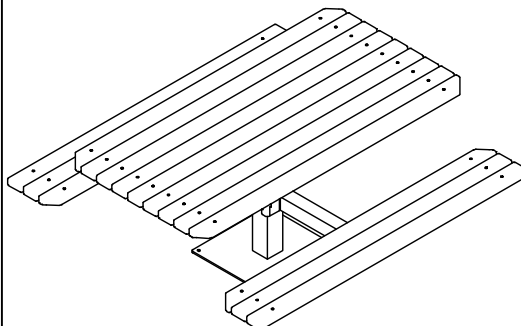
119/RP/B (Plastic Top)



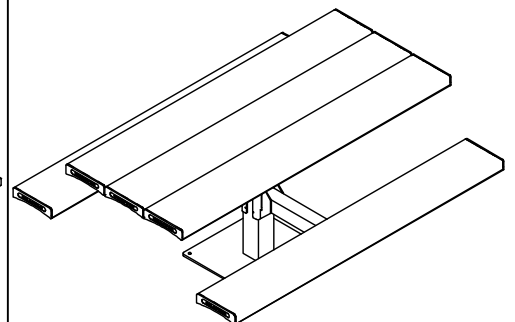
88274 (Heavy Duty Chess Table)



87916 (Heavy Duty Picnic Table (long))



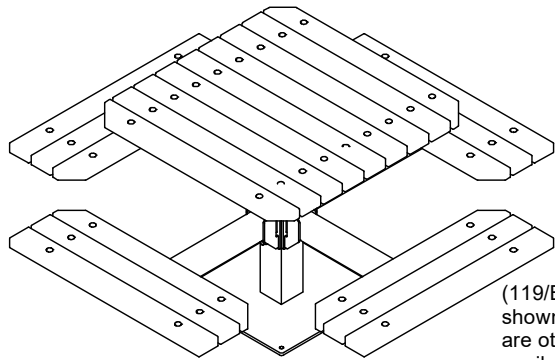
87916/AL (Heavy Duty Aluminium Picnic Table (long))



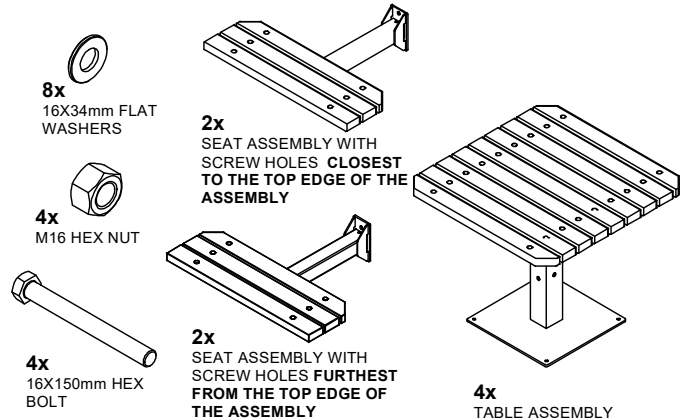
# Heavy Duty Pedestal Tables

119/B (Batten Top)  
 119/AL/B (Aluminium Top)  
 119/PP/B (Plastic Top)  
 87916 (Heavy Duty Picnic Table)  
 87916/AL (Heavy Duty Aluminium Picnic Table)

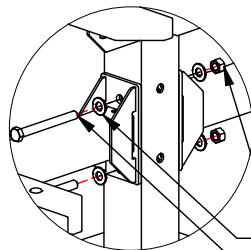
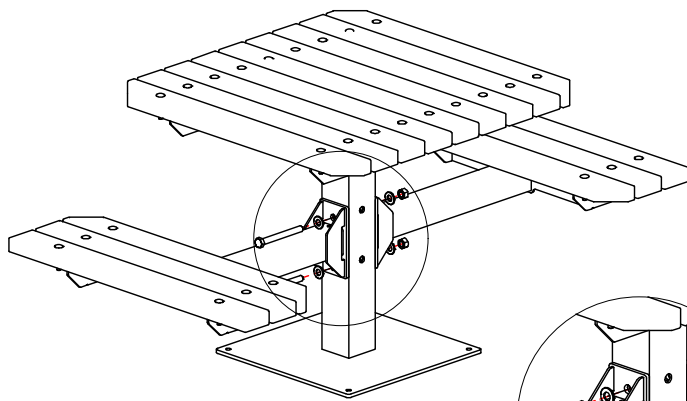
**DRAFFIN**  
 Street Furniture



(119/B Batten option shown above, there are other options available. The same instructions apply)



1.



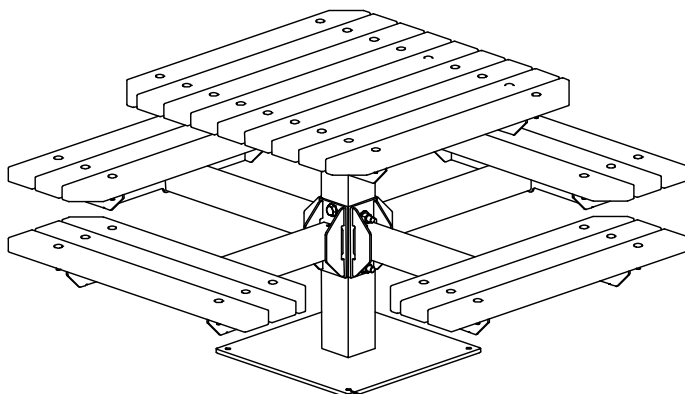
M16 HEX NUT (4X)  
 16X34mm FLAT WASHERS (8X)  
 16X150mm HEX BOLTS (4X)

There are two types of seat arms. (1 only for model 87916) (2 of each supplied - 119/B). Select 2 that have the mount holes closest to the bottom edge. Sit the other 2 aside.

Attach the 2 arms to the table frame through the lower 2 holes with the 150mm long hex bolts, washers and nylock nuts. **Leave loose at this stage.** (For 119 models) Repeat above with the remaining seat arms through the holes in the perpendicular faces of the table frame.

Ensure all seats are level and tighten fasteners.

2.



Place table in its final position, once anchored to the ground, your table is ready for use

Bolt down table setting can be anchored to the ground with up to 1/2" anchors