

Standard Aluminium Picnic Table

Model 115 - Standard Aluminium Picnic Table

DRAFFIN
Street Furniture



The Standard Aluminium Picnic Table is a sturdy and economical picnic table with reliable 250mm x 50mm aluminium planks for the table and benches. Hot-dip galvanised mild steel frames, braced for extra rigidity making the Standard Aluminium Picnic Table a durable and dependable choice for public placement.

Table Size

- 1750mm long
- 1000mm long

Batten Options

Aluminium Planks 250mm x 50mm

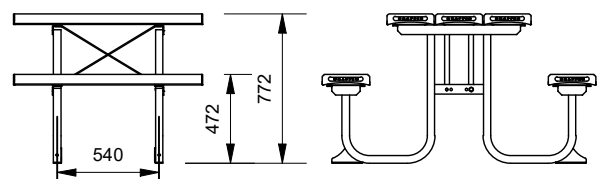
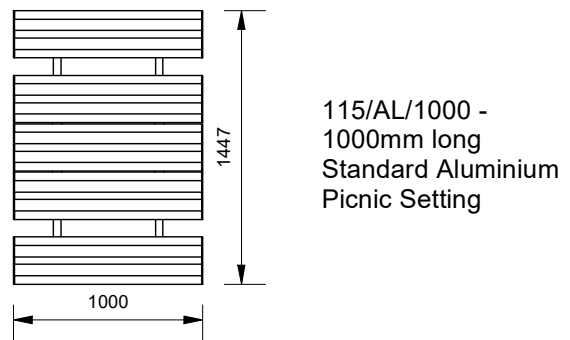
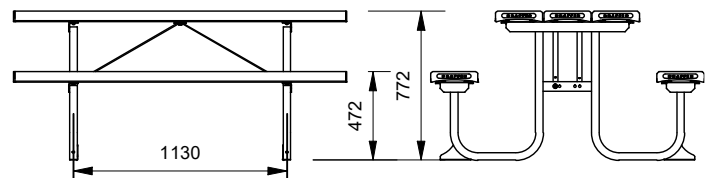
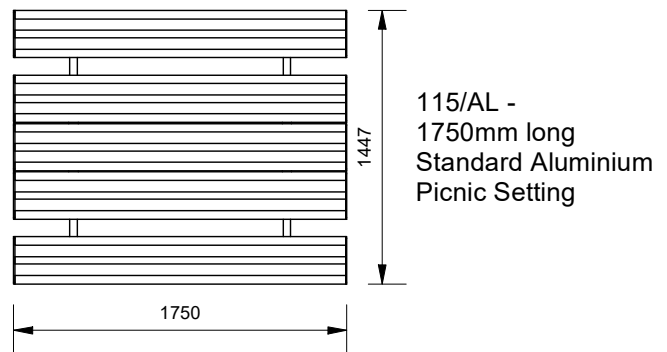
- Anodised Aluminium
- Powdercoated Aluminium ([See Colour Guide](#))

Mounting Options

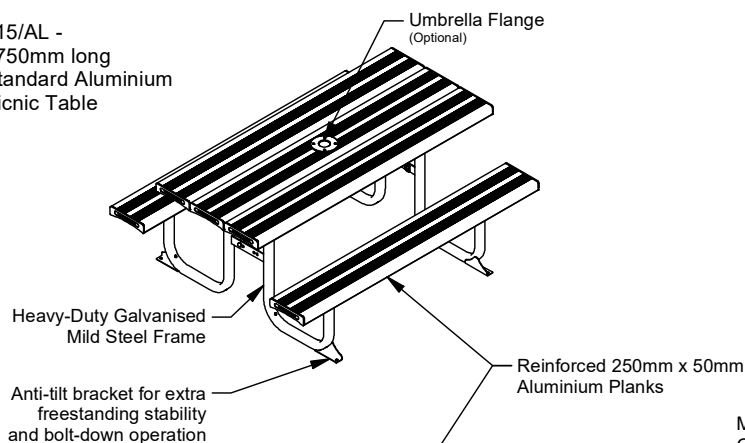
- Bolt Down
- Freestanding
- In-Ground Anchors

Other Options

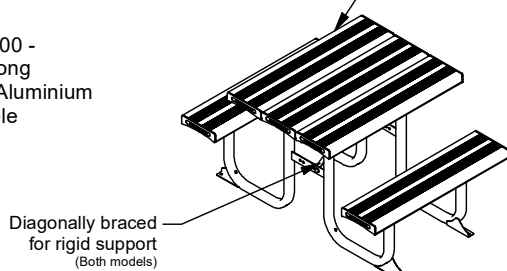
- Powdercoated Frames ([See Colour Guide](#))
- Umbrella Flange
- Chess Board Insert



115/AL -
1750mm long
Standard Aluminium
Picnic Table



115/AL/1000 -
1000mm long
Standard Aluminium
Picnic Table



More information:

Go to the website for spec inspiration.

115/AL - Standard Aluminium Picnic Setting
<https://draffin.com.au/product/standard-picnic-table-aluminium/>

Colour Guide

<https://draffin.com.au/colour-guide/>