

# Standard Aluminium Picnic Table

115/AL - Aluminium Plank Picnic Table

**DRAFFIN**  
Street Furniture



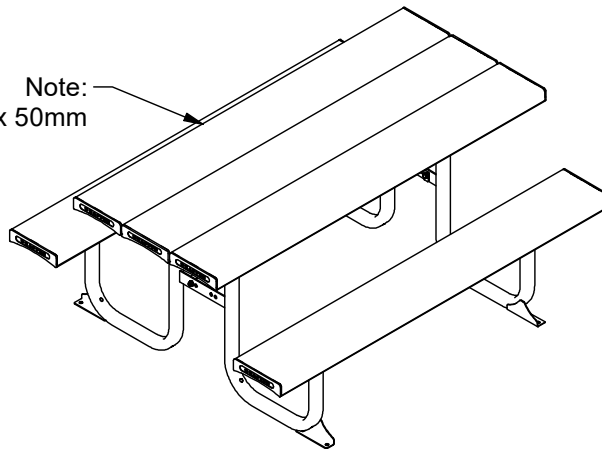
- These are generic instructions for the installation of Draffin Street Furniture's Standard Aluminium Picnic Table Settings.
- This product should be installed by an appropriately qualified or skilled person.
- These instructions cover the assembly of various suite options, component quantities and appearances may vary.
- Further information is available by contacting Draffin Street Furniture ([www.draffin.com.au](http://www.draffin.com.au)) via the following QR code:



Draffin Street Furniture Website  
• General product and contact information

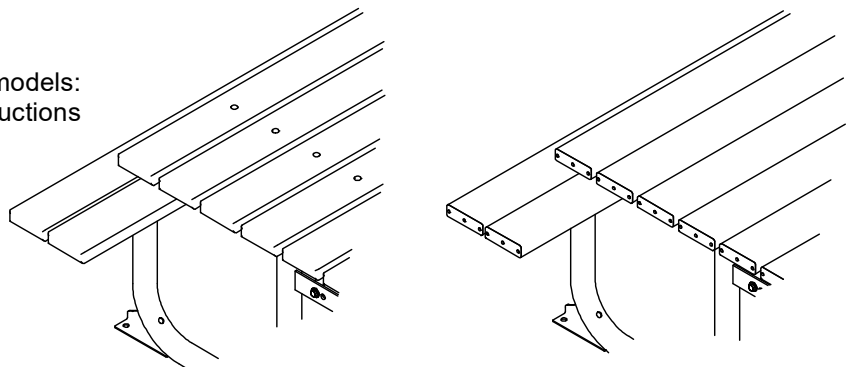
115/AL (Aluminium Plank Top)

Note:  
Aluminium Planks are 250mm x 50mm



For 110mm x 30mm batten models:  
see 115 Batten Model Assembly Instructions

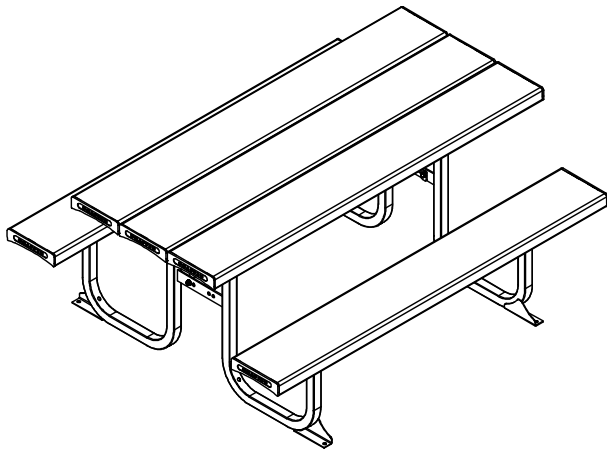
[Click Here](#)



# Standard Picnic Table

115/AL Aluminium Plank Picnic Table

**DRAFFIN**  
Street Furniture



## COMPONENTS:

