

Slim Timber Clad Bench

105-B / 105-B-AL (Bolt Down)
105-I / 105-I-AL (Inground)
105-WM / 105-WM-AL (Wall Mount)

DRAFFIN
Street Furniture

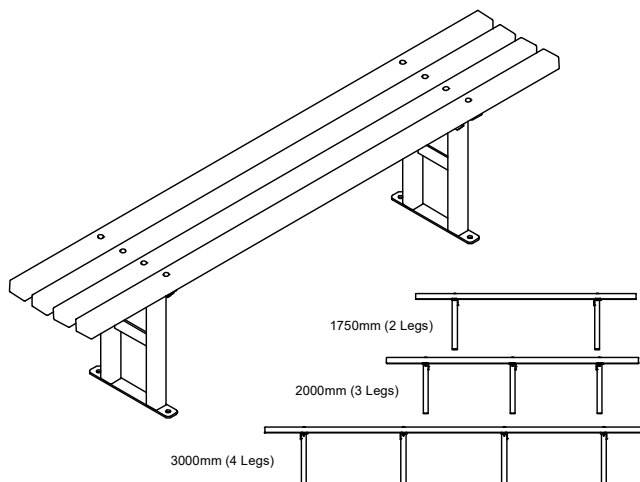


- These are generic instructions for the installation of Draffin Street Furniture's Slim Timber Clad Bench.
- This product should be installed by an appropriately qualified or skilled person.
- These instructions cover the assembly of various suite options and lengths, component quantities may vary.
- Further information is available by contacting Draffin Street Furniture (www.draffin.com.au) via the following QR code:

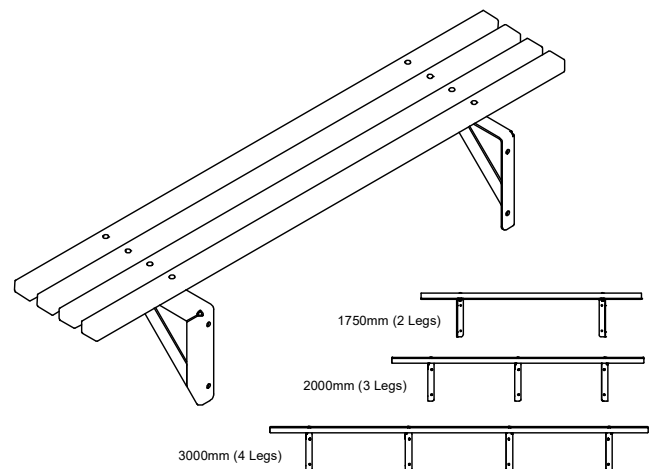


Draffin Street Furniture Website
• General product and contact information

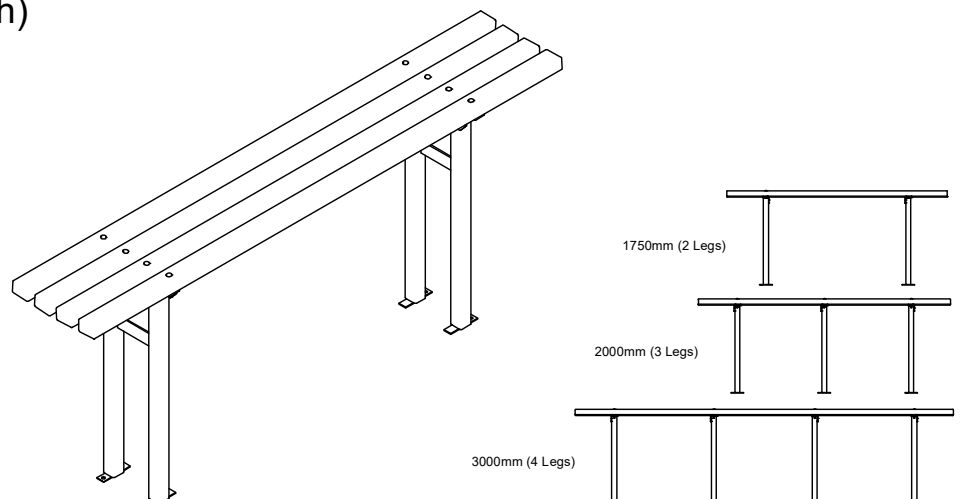
105/B (Bolt Down Clad Bench)



105/WM (Wall Mounted Clad Bench)



105/I (Inground Clad Bench)



Slim Timber Clad Bench

105-B / 105-B-AL (Bolt Down)

105-I / 105-I-AL (Inground)

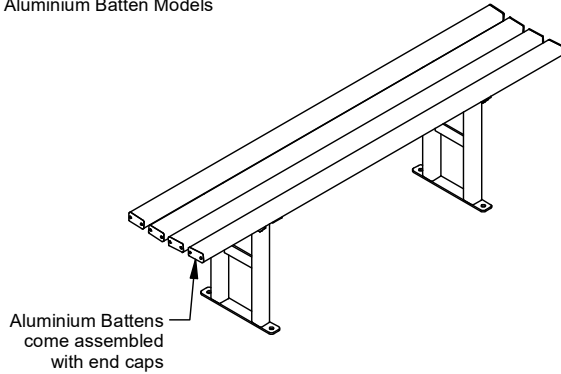
105-WM / 105-WM-AL (Wall Mount)

DRAFFIN
Street Furniture

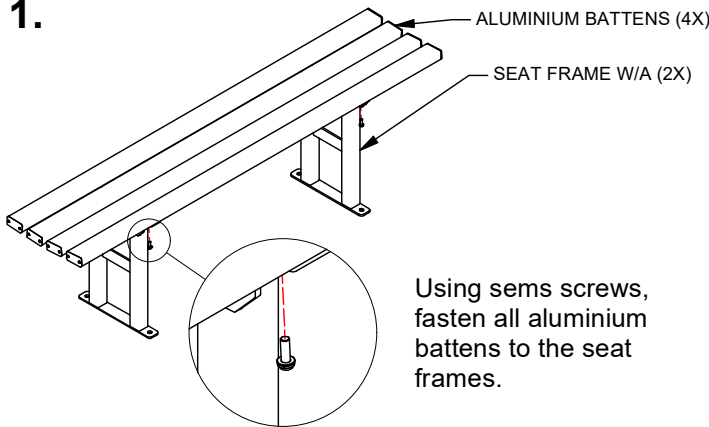


105/B/AL

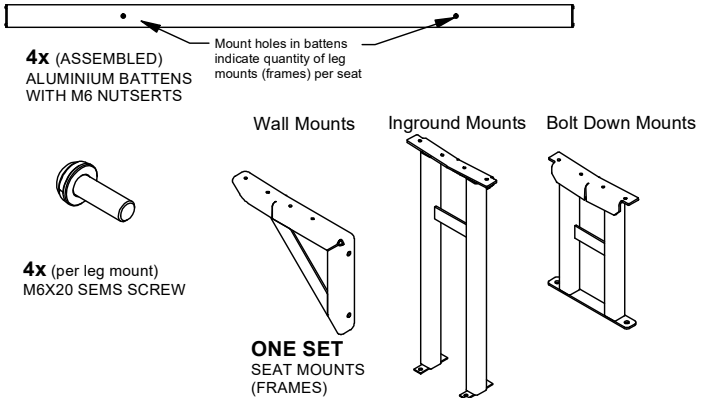
Aluminium Batten Models



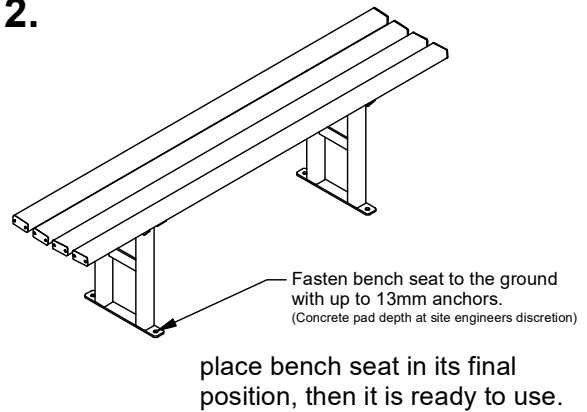
1.



COMPONENTS:

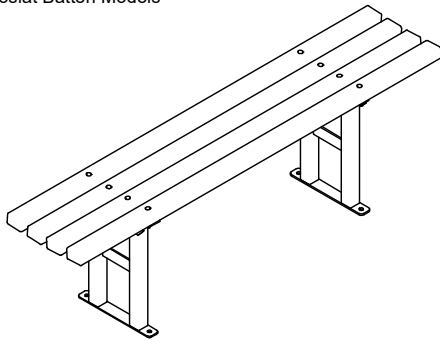


2.

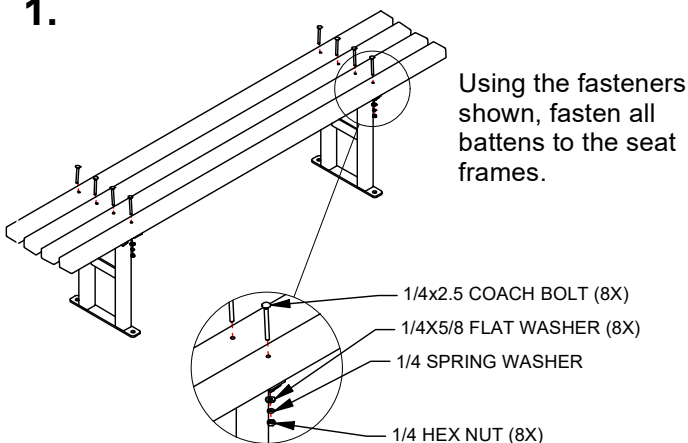


105/B

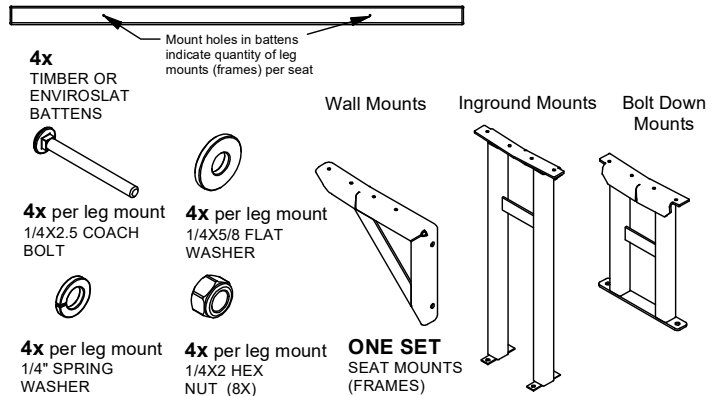
Timber/Enviroslat Batten Models



1.



COMPONENTS:



2.

