

# Glenelg Bar Stool

89210 - Glenelg Bar Stool

**DRAFFIN**  
Street Furniture



The Glenelg Bar Stool is recommend for use with Glenelg Bar Tables, but also looks great when combined with other bar height table furniture from the Draffin range. While appearing lightweight, the stool is fully welded and has heavy-duty engineered components to ensure high performance in all Australian conditions.

## Batten Material (See batten guide)

110mm x 30mm

- Spotted Gum
- Enviroslat
- Anodised Aluminium
- Powdercoated Aluminium (See colour guide)
- Timber-Look Aluminium - Alpine Ash
- Timber-Look Aluminium - Mountain Gum
- Timber-Look Aluminium - Ironbark

## Frame Material

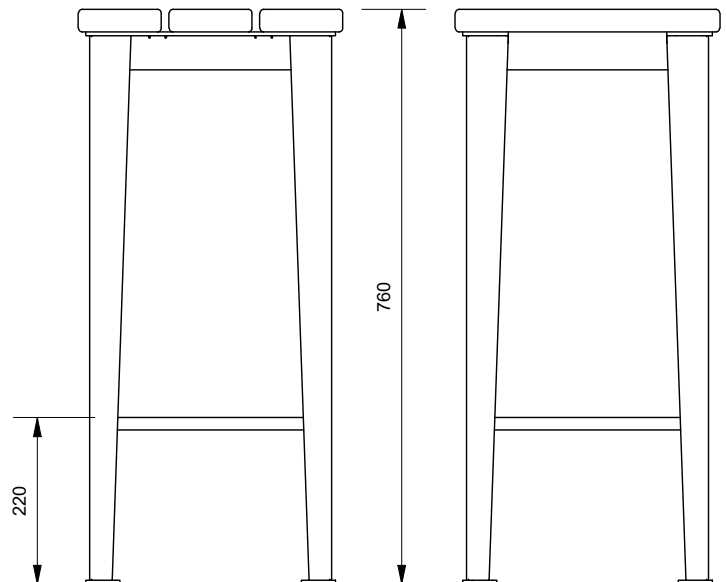
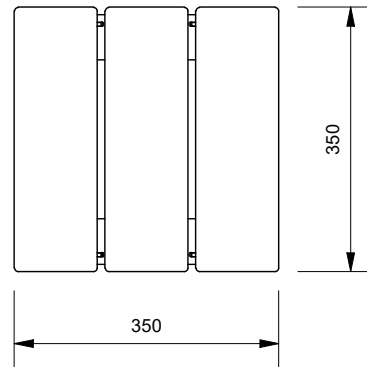
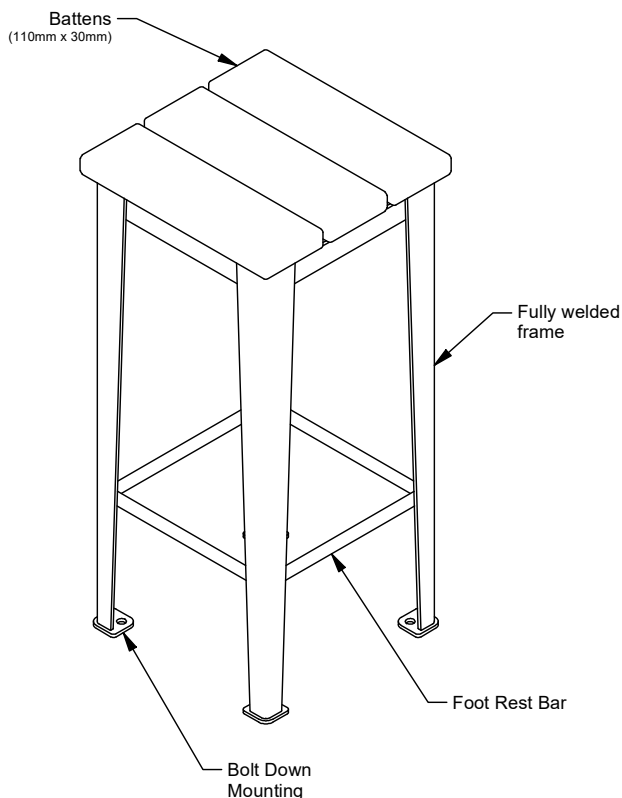
- Galvanised Mild Steel
- 304 Stainless Steel
- 316 Stainless Steel

## Mounting Options

- Bolt Down

## Other Options

- Powdercoat Frames



More information:  
Go to the website for spec inspiration.  
**89210 - Glenelg Bar Stool**  
<https://draffin.com.au/product/glenelg-bar-stool/>

Batten Guide  
<https://draffin.com.au/batten-guide/>

Colour and Plinth Guide  
<https://draffin.com.au/colour-guide/>

Stainless Steel Guide  
<https://draffin.com.au/stainless-steel-guide/>

DDA guide  
<https://draffin.com.au/dda/>