

# Hamilton Modular Bench

Model 65x - Hamilton Modular Bench

**DRAFFIN**  
Street Furniture



Hamilton Modular Benches have been designed to be used alongside Hamilton Planters, however they are a great standalone solution for placement anywhere a dependable public bench is needed. Available in various sizes and materials, Hamilton Benches are as versatile as Hamilton Planters.

## Bench Batten Material (See Batten Guide)

60mm x 30mm

- Spotted Gum
- Anodised Aluminium
- Powdercoated Aluminium (See Colour Guide)
- Timber-Look Aluminium - Mountain Gum
- Timber-Look Aluminium - Ironbark
- Timber-Look Aluminium - Alpine Ash

60mm x 40mm

- Enviroslat Composite

## Material

- Weathering Steel
- Powdercoated (Hot Dipped Galvanised Mild Steel)
- 304 Grade Stainless-Steel
- 316 Grade Stainless-Steel

## Length Options (Length always greater or equal to width)

- 400mm
- 500mm
- 750mm
- 1000mm
- 2000mm

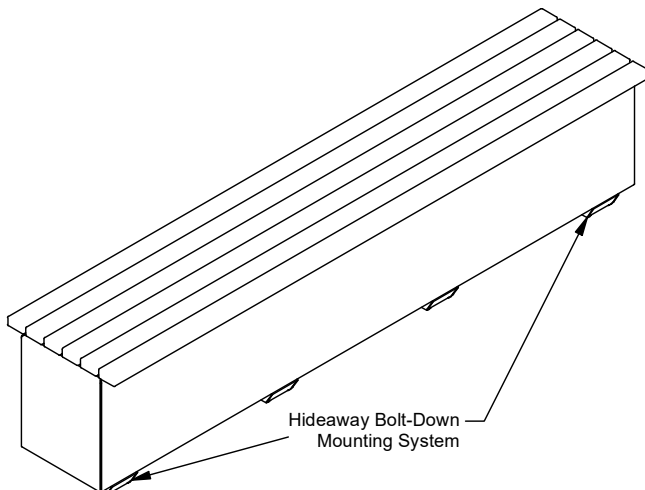
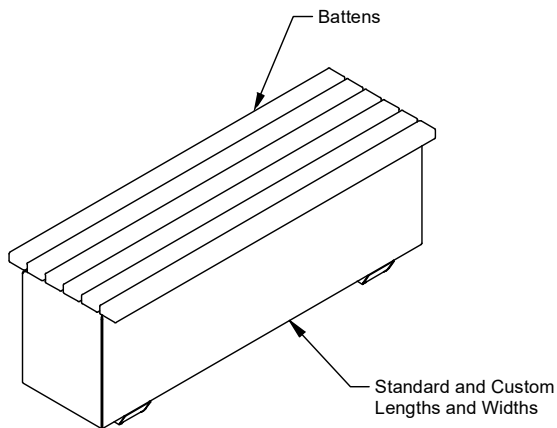
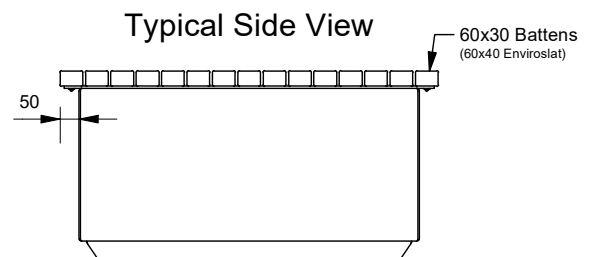
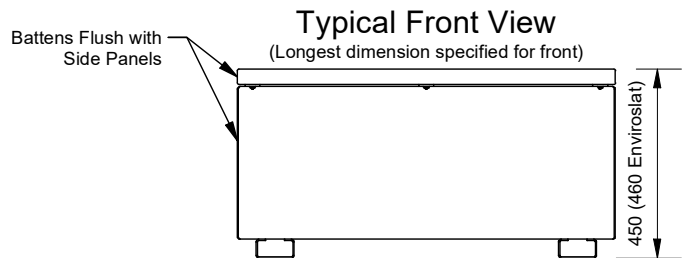
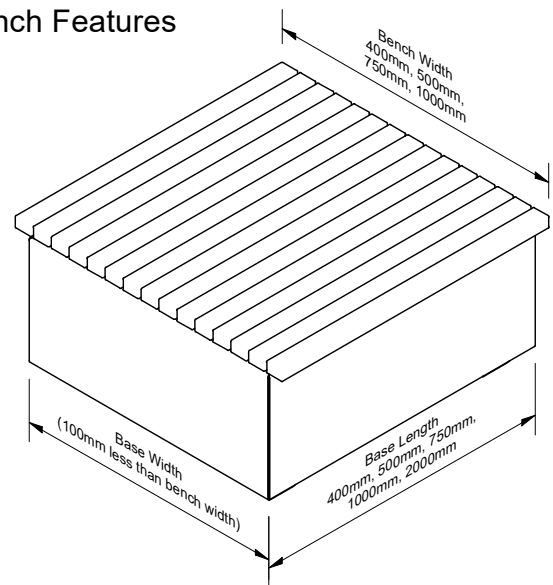
## Width Options

- 400mm
- 500mm
- 750mm
- 1000mm

## Mounting Options

- Bolt Down
- Freestanding

## Bench Features



More information:  
Go to the website for spec inspiration.

## 65x - Hamilton Bench

<https://draffin.com.au/product/hamilton-modular-planter-rectangle-bench-seat/>  
<https://draffin.com.au/product/hamilton-square-bench-seat/>

Colour Guide  
<https://draffin.com.au/colour-guide/>

Batten Guide  
<https://draffin.com.au/batten-guide/>

Stainless Steel Guide  
<https://draffin.com.au/stainless-steel-guide/>

Weathering Steel Guide  
<https://draffin.com.au/weathering-steel-guide/>

# Hamilton Modular Bench

Model 65x - Hamilton Modular Bench

**DRAFFIN**  
Street Furniture



**Length** (Batten Length)  
(Plan View)  
Standard Bench Height - 450mm

		400mm	500mm	750mm	1000mm	2000mm
<b>Width</b>	400mm 6 Battens	 65x/040445	 65x/050445	 65x/750445	 65x/100445	 65x/200445
	500mm 8 Battens		 65x/050545	 65x/750545	 65x/100545	 65x/200545
	750mm 11 Battens			 65x/757545	 65x/107545	 65x/207545
	1000mm 15 Battens				 65x/101045	 65x/201045
<b>Front View</b>		 400mm	 500mm	 750mm	 1000mm	 2000mm

## Mounting

Hamilton Benches can be left freestanding, or can be easily bolted to concrete surfaces using supplied bolt down footing brackets. Simply fix the bolt down footing in position and locate planter over the footings. To lock into position, bolts are used through the side of the footing.

