

Wandin Square Table

12S/X/84 - Wandin Square Table

DRAFFIN
Street Furniture



The Wandin Square Table is a smaller version of the Wandin Table range. The same uniform batten profile and available in standard table height and bar height versions. For a more intimate styled setting, the square table version suits two to four seat applications.

Table Height

- 750mm (Standard Table Height)
- 1000mm (Bar Table Height)

Batten Material (See batten guide)

40mm x 30mm

- Spotted Gum
- Enviroslat
- Anodised Aluminium
- Powdercoated Aluminium (See colour guide)
- Timber-Look Aluminium - Alpine Ash
- Timber-Look Aluminium - Mountain Gum
- Timber-Look Aluminium - Ironbark

Frame Material

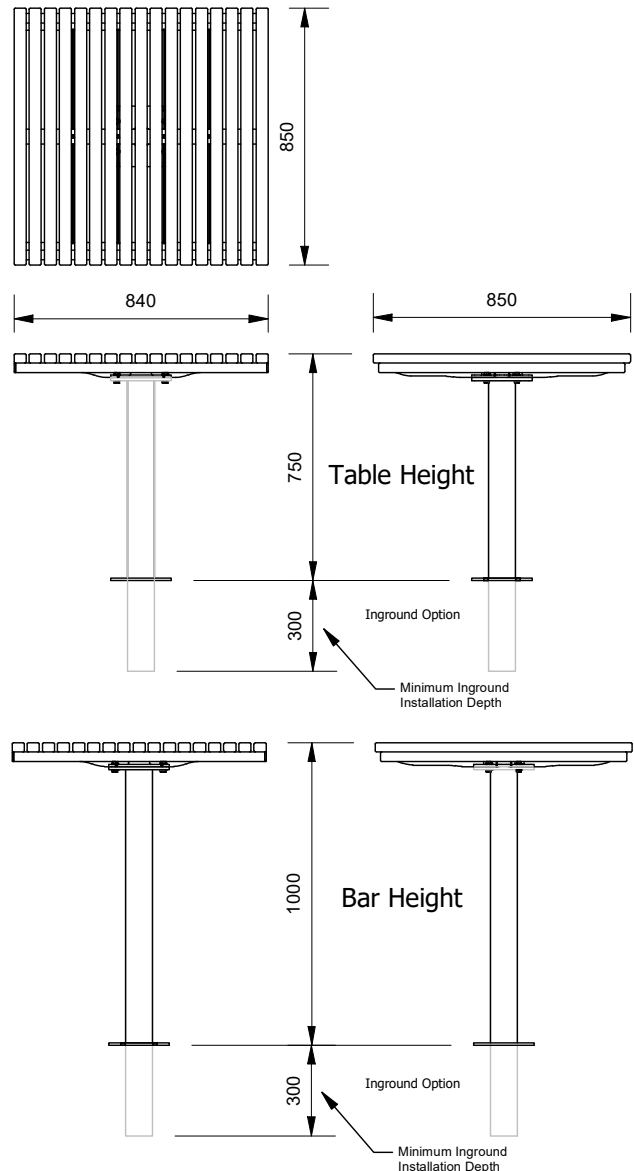
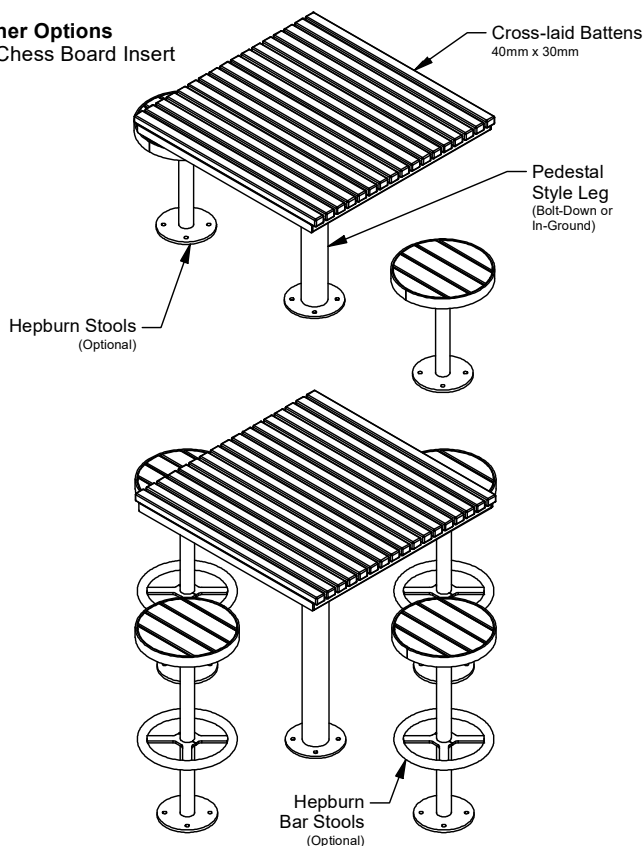
- Galvanised Mild Steel
- Powdercoated Gal Mild Steel (See colour guide)
- 304 Stainless Steel Brushed
- 304 Stainless Steel Bead Blasted
- 316 Stainless Steel Brushed
- 316 Stainless Steel Bead Blasted

Mounting Options

- Post Mount Bolt Down
- Post Mount Inground

Other Options

- Chess Board Insert



More information:

Go to the website for spec inspiration.

12S/X/84 - Wandin Square Table

<https://draffin.com.au/product/wandin-square-table-setting/>

89198 - Hepburn Stool

<https://draffin.com.au/product/hepburn-cafe-stool/>

Batten Guide

<https://draffin.com.au/Batten-Guide.pdf>

Colour and Plinth Guide

<https://draffin.com.au/Paint-and-Plinth-Guide.pdf>

Stainless Steel Guide

<https://draffin.com.au/Stainless-Steel-Guide.pdf>

Wandin Architectural Guide

<https://draffin.com.au/wandin-architectural-guide/>

DDA guide

<https://draffin.com.au/dda/>

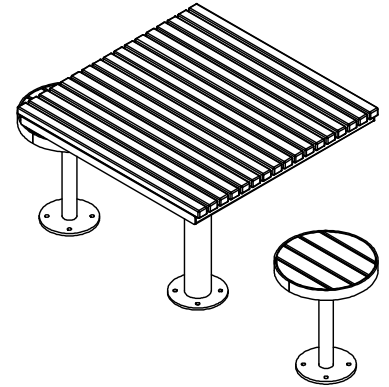
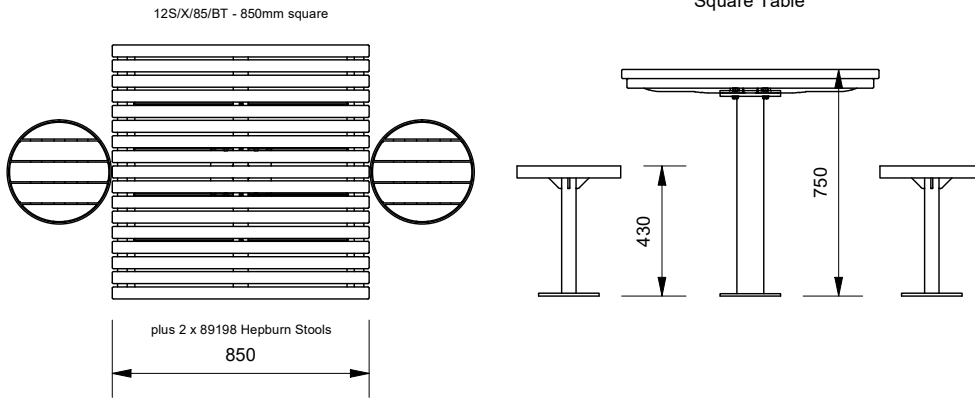
Wandin Square Table

12S/X/84 - Wandin Square Table



Suggested Configurations

2 Stool Standard Table Setting
with 12S/X/85/BT - 850mm
Square Table



4 Stool Bar Height Setting
with 12S/X/85/BB - 850mm
Square Bar Table

