

Cairns Platform Bench

89379 - Cairns Platform Bench

DRAFFIN
Street Furniture



The Cairns Platform Bench provides extra flexibility with an optional backrest that can be moved to suit alternate applications. Fully welded frames in mild or stainless steel. Sleek and ergonomic, the entire suite has a generous batten profile with an extra large radius on the platform edges providing a luxurious appeal.

Platform Configuration

- Platform
- Chaise (Backrest at end)
- Seat/Chaise (Backrest inset)

Batten Material (See batten guide)

- Spotted Gum 135mm x 35mm
- Enviroslat 140mm x 35mm

Frame Material

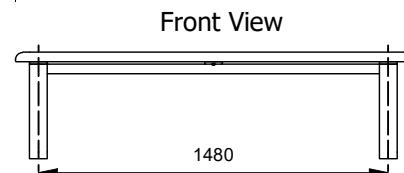
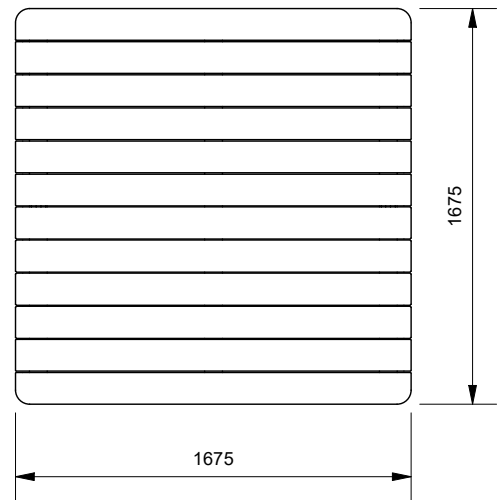
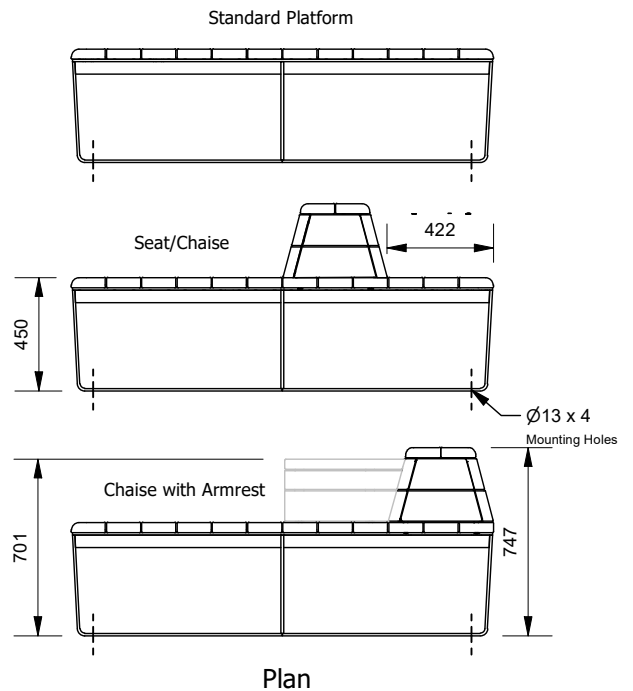
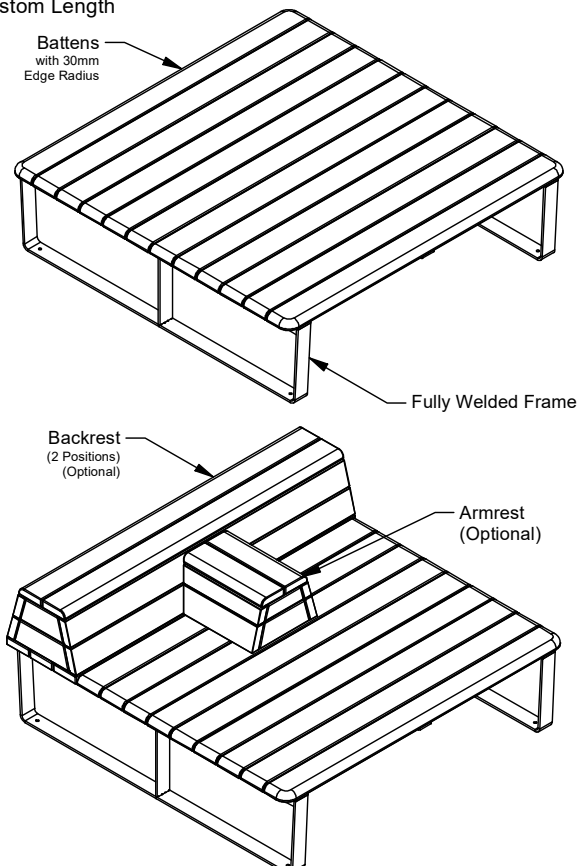
- Galvanised Mild Steel
- 304 Stainless Steel - Brushed
- 304 Stainless Steel - Bead Blasted
- 316 Stainless Steel - Brushed
- 316 Stainless Steel - Bead Blasted

Mounting Options

- Bolt Down

Other Options

- Central Armrest
- Powdercoat Frames (See colour guide)
- Custom Length



More information:

Go to the website for spec inspiration.

89379 - Cairns Platform Bench
<https://draffin.com.au/product/cairns-platform-bench/>

Batten Guide
<https://draffin.com.au/batten-guide/>

Colour and Plinth Guide
<https://draffin.com.au/colour-guide/>

Stainless Steel Guide
<https://draffin.com.au/stainless-steel-guide/>

DDA guide
<https://draffin.com.au/dda/>