

# Cairns Table

89378 - Cairns Table

**DRAFFIN**  
Street Furniture



The Cairns Table has all the options applied to it already. With fully welded frames for extra strength, and manufactured in mild or stainless steel with your preference of finish. The entire suite has a generous batten profile with an extra large radius on all edges providing a luxurious appeal.

#### Batten Material (See batten guide)

- Spotted Gum 135mm x 35mm
- Enviroslat 140mm x 35mm

#### Frame Material

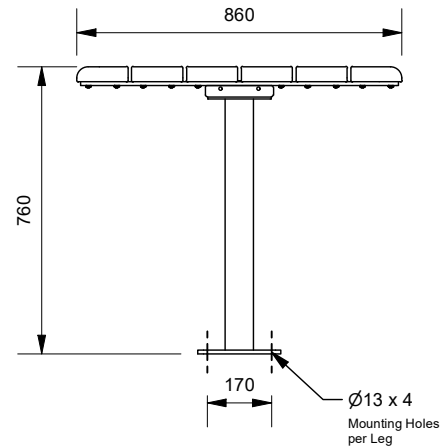
- Galvanised Mild Steel
- 304 Stainless Steel - Brushed
- 304 Stainless Steel - Bead Blasted
- 316 Stainless Steel - Brushed
- 316 Stainless Steel - Bead Blasted

#### Mounting Options

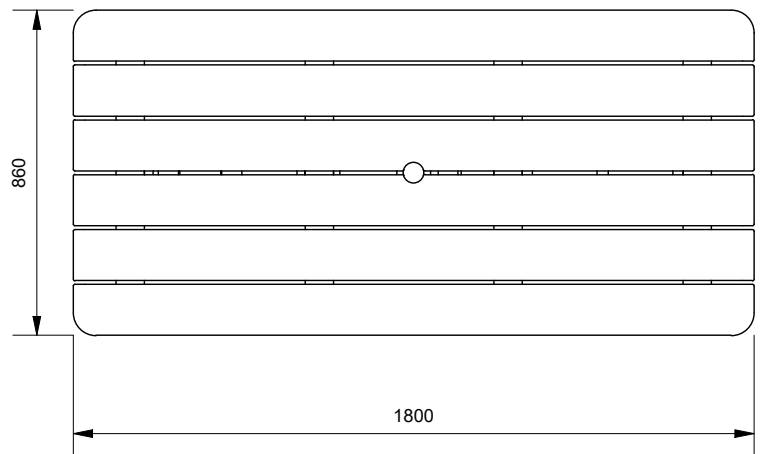
- Bolt Down

#### Other Options

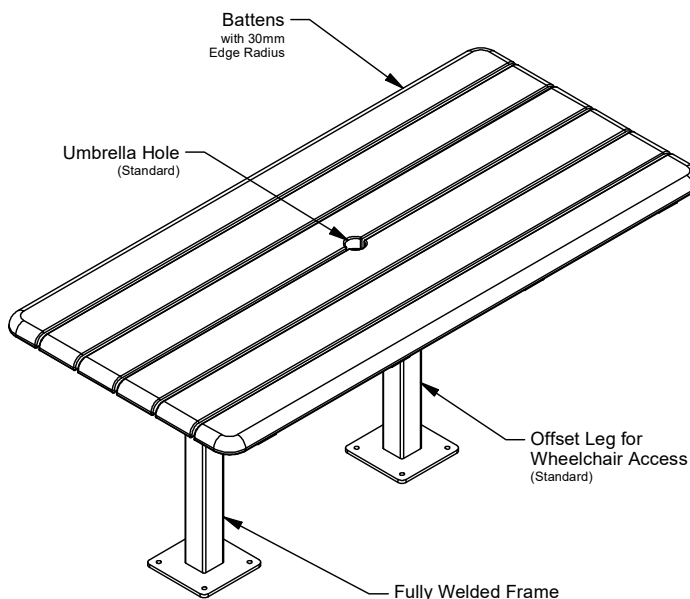
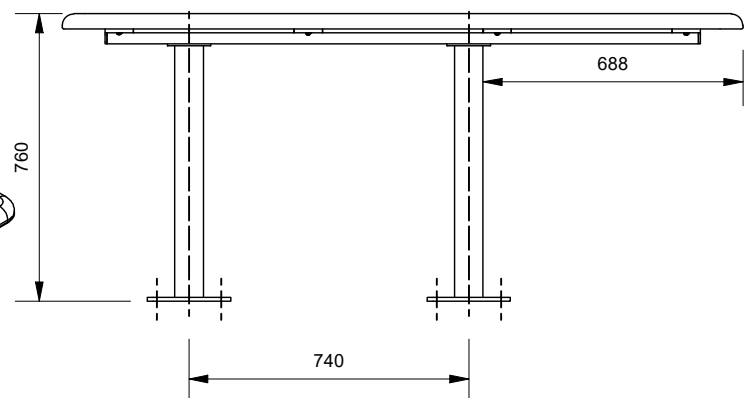
- Powdercoat Frames (See colour guide)
- Custom Length
- DDA Options



Plan



Front View



More information:  
Go to the website for spec inspiration.  
**89378 - Cairns Table**  
<https://draffin.com.au/product/cairns-table/>

Batten Guide  
<https://draffin.com.au/batten-guide/>

Colour and Plinth Guide  
<https://draffin.com.au/colour-guide/>

Stainless Steel Guide  
<https://draffin.com.au/stainless-steel-guide/>

DDA guide  
<https://draffin.com.au/dda/>

# Cairns Table

89378 - Cairns Table



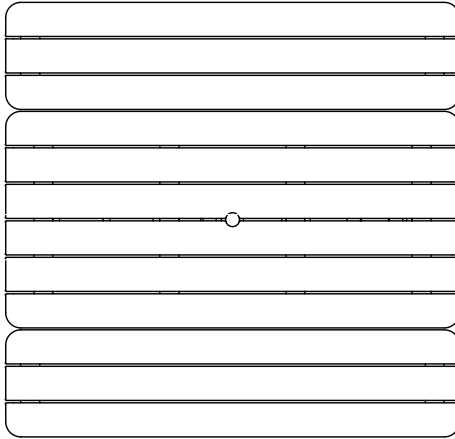
## Suggested Configurations

Standard Bench Setting

89377 - Cairns Bench  
1800mm long

89378 - Cairns Table  
1800mm long

89377 - Cairns Bench  
1800mm long

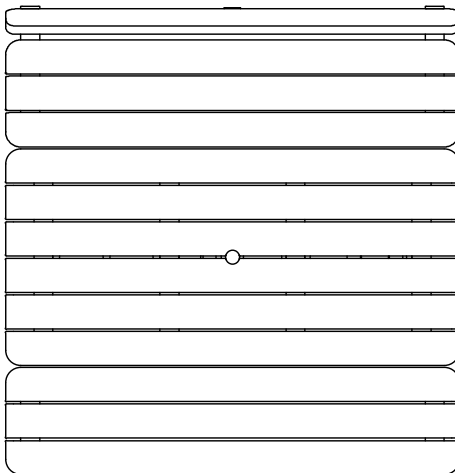


Combo Bench/Seat Setting

89376 - Cairns Seat  
1800mm long

89378 - Cairns Table  
1800mm long

89377 - Cairns Bench  
1800mm long



Standard Setting - Plan

