

# Cairns Bench

89377 - Cairns Bench

**DRAFFIN**  
Street Furniture



The Cairns Bench with fully welded frames for upgraded strength are made in mild or stainless steel. Sleek and ergonomic, the entire suite has a generous batten profile with an extra large radius on all edges providing a luxurious appeal.

**Batten Material** (See batten guide)

- Spotted Gum 135mm x 35mm
- Enviroslat 140mm x 35mm

**Frame Material**

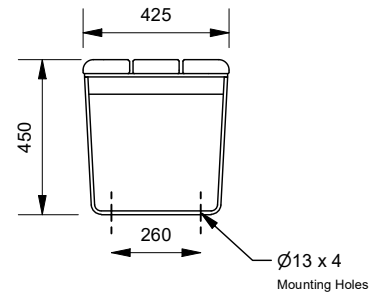
- Galvanised Mild Steel
- 304 Stainless Steel - Brushed
- 304 Stainless Steel - Bead Blasted
- 316 Stainless Steel - Brushed
- 316 Stainless Steel - Bead Blasted

**Mounting Options**

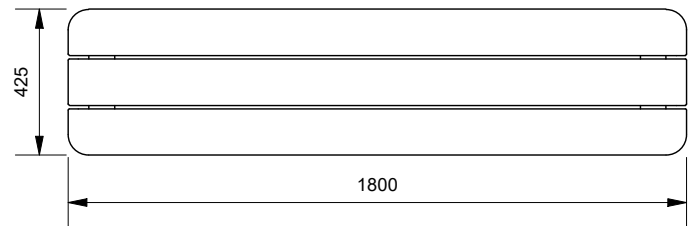
- Bolt Down

**Other Options**

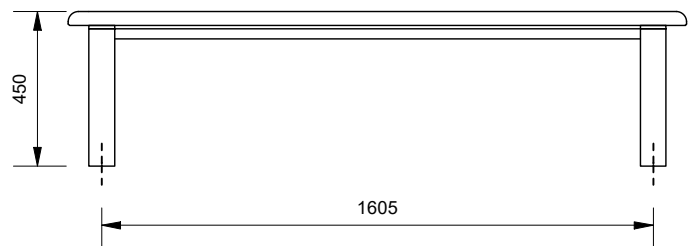
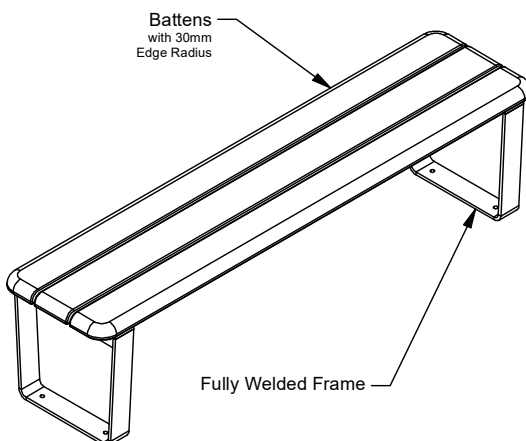
- Powdercoat Frames (See colour guide)
- Custom Length



Plan



Front View



More information:  
Go to the website for spec inspiration.  
**89377 - Cairns Bench**  
<https://draffin.com.au/product/cairns-bench/>

Batten Guide  
<https://draffin.com.au/batten-guide/>

Colour and Plinth Guide  
<https://draffin.com.au/colour-guide/>

Stainless Steel Guide  
<https://draffin.com.au/stainless-steel-guide/>

DDA guide  
<https://draffin.com.au/dda/>