

Cairns Bench

89347 - Cairns Bench

DRAFFIN
Street Furniture



The Cairns Bench with fully welded frames for upgraded strength are made in mild or stainless steel. Sleek and ergonomic, the entire suite has a generous batten profile with an extra large radius on all edges providing a luxurious appeal.

Batten Material (See batten guide)

- Spotted Gum 135mm x 35mm
- Enviroslat 140mm x 35mm

Frame Material

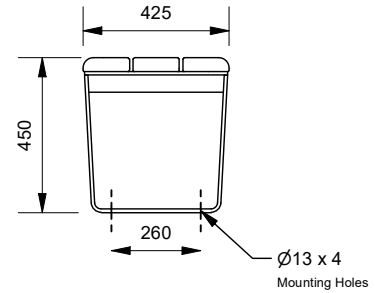
- Galvanised Mild Steel
- 304 Stainless Steel - Brushed
- 304 Stainless Steel - Bead Blasted
- 316 Stainless Steel - Brushed
- 316 Stainless Steel - Bead Blasted

Mounting Options

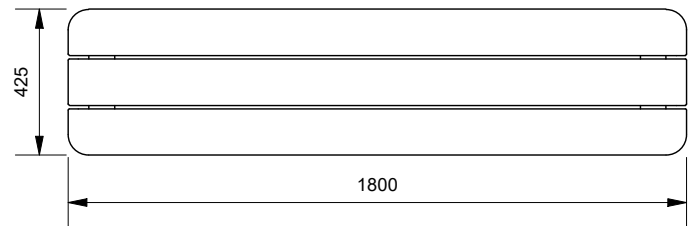
- Bolt Down

Other Options

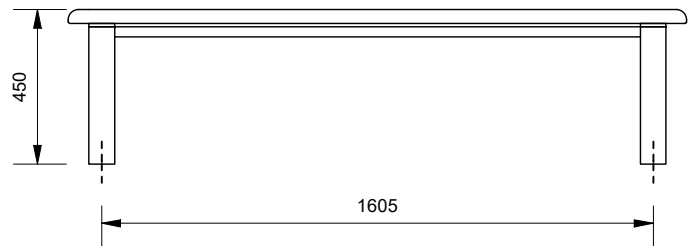
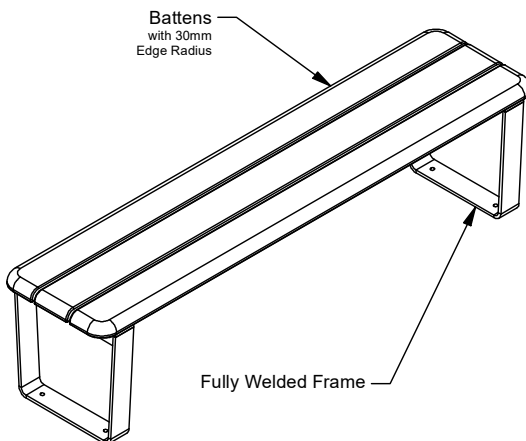
- Powdercoat Frames (See colour guide)
- Custom Length



Plan



Front View



More information:

Go to the website for spec inspiration.

89347 - Cairns Bench

<https://draffin.com.au/product/cairns-bench/>

Batten Guide

<https://draffin.com.au/batten-guide/>

Colour and Plinth Guide

<https://draffin.com.au/colour-guide/>

Stainless Steel Guide

<https://draffin.com.au/stainless-steel-guide/>

DDA guide

<https://draffin.com.au/dda/>