

Wandin/Hamilton Circular Seat with 700mm High Round Planter

DRAFFIN
Street Furniture

Model W1X/0002 - Wandin Semi Circular Seat
Model 68X11507 - Hamilton Round Planter (700mm High)



The Hamilton Round Planter has been adapted to fit the inside diameter of the Wandin Circular Seat. This round planter measures 700mm high.

Bench Batten Material (See batten guide)

405mm x 40mm x 30mm

- Spotted Gum
- Enviroslat
- Anodised Aluminium
- Powdercoated Aluminium (See colour guide)
- Timber-Look Aluminium - Alpine Ash
- Timber-Look Aluminium - Mountain Gum
- Timber-Look Aluminium - Ironbark

Bench Frame Material

- Galvanised Mild Steel
- Powdercoated Gal Mild Steel (See colour guide)
- 304 Stainless Steel Brushed
- 304 Stainless Steel Bead Blasted
- 316 Stainless Steel Brushed
- 316 Stainless Steel Bead Blasted

Bench Mounting Options

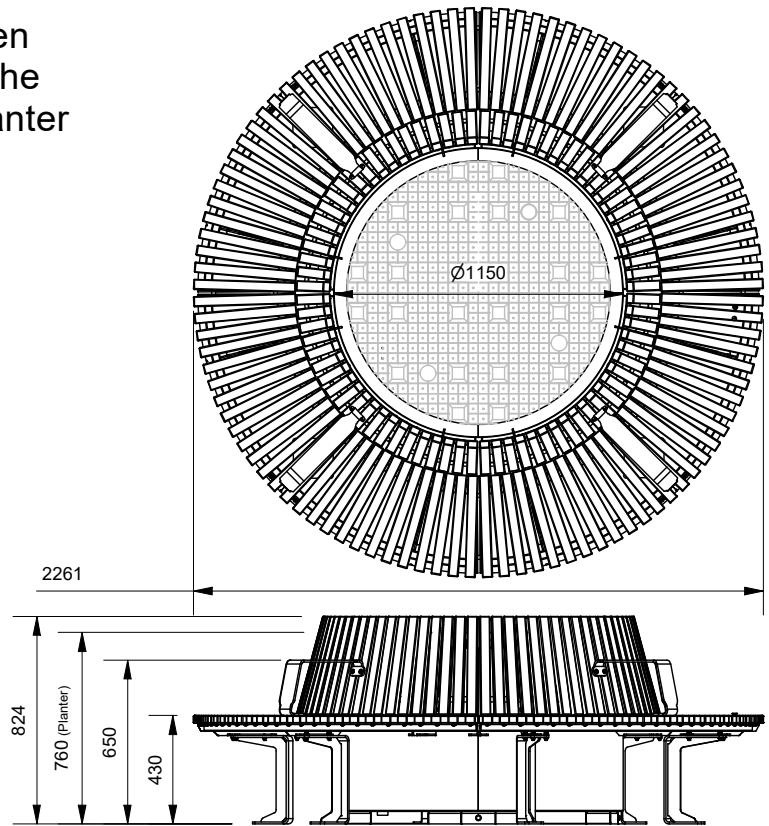
- Bolt Down
- Inground
- Cantilever Leg
- Flat Bar Leg
- Freestanding
- Concrete Plinth

Other Options

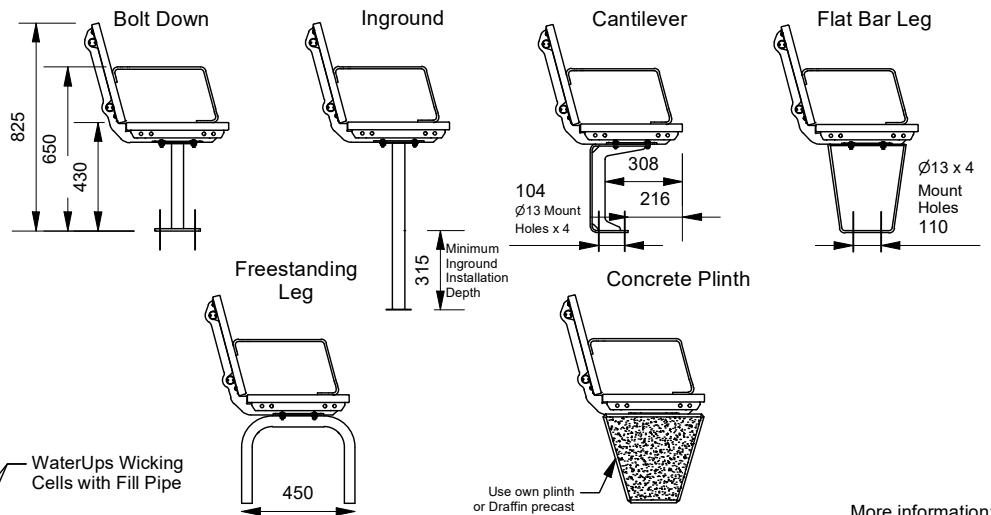
- Armrests (2 per unit standard - as pictured)

Planter Material

- Weathering Steel
- Powdercoated Mild Steel (See colour guide)
- 304 Stainless Steel Brushed
- 316 Stainless Steel Brushed



Leg Mounting Options

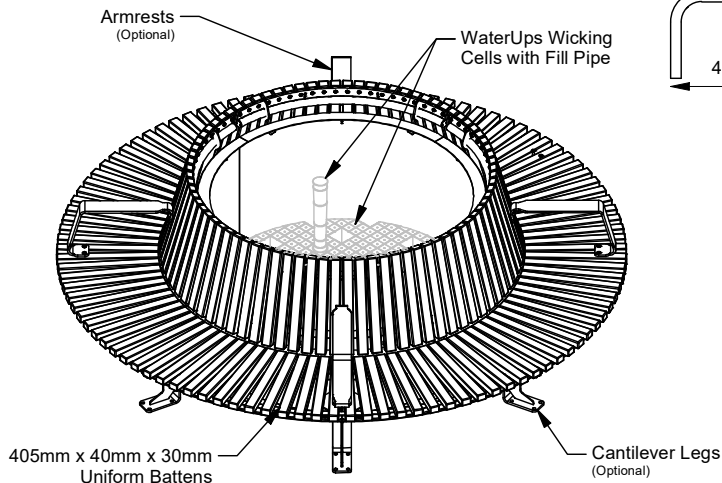


Wandin Semi-Circular Seat x 2

(2 x Semi-Circular Seats create a full circle)
and

Hamilton Round Planter

(1150mm Diameter x 700mm High)



More information:
Go to the website for spec inspiration.

W1X/0002 - Wandin Semi Circular Seat
68X11507 - Hamilton Round Planter (700mm High)
<https://draffin.com.au/product/hamilton-wandin-round-planter-seat/>

Batten Guide
<https://draffin.com.au/batten-guide/>

Colour and Plinth Guide
<https://draffin.com.au/colour-guide/>

Stainless Steel Guide
<https://draffin.com.au/stainless-steel-guide/>

Wandin Architectural Guide
<https://draffin.com.au/wandin-architectural-guide/>

DDA guide
<https://draffin.com.au/dda/>

Wandin Semi Circular Seat

Model W1X/0002 - Wandin Semi Circular Seat

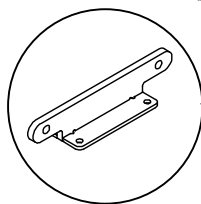
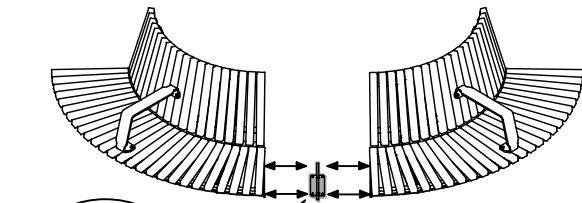
DRAFFIN
Street Furniture



Assembly

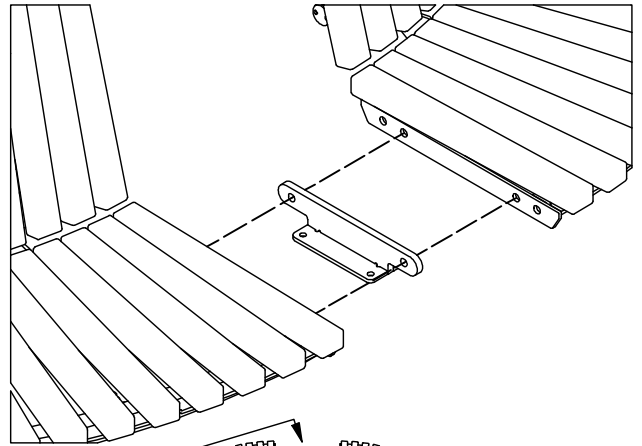
The Semi-Circular Seat with Back is shipped in halves to save on freight volume. Once delivered, the seat will require assembly. The seat can be configured as a single semi-circular unit or fixed to another semi-circular unit for full circle applications. Two spacers are provided per semi-circle unit to join the half units together.

For semi-circular configuration: Bring halves together using the supplied **spacer with mount** between each half. Use supplied fasteners to fix units together.

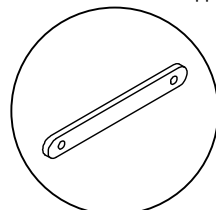


*Spacer must be used to join units together. This ensures even spacing of the seat batters.

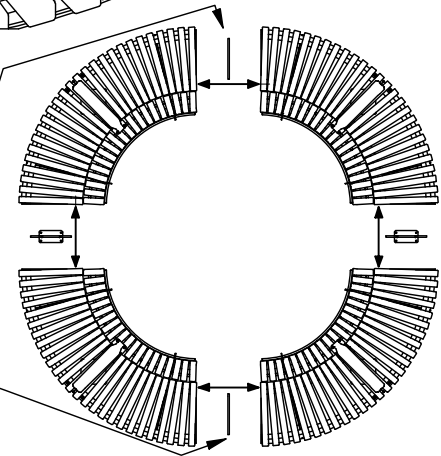
Spacer with Mount



For full circle configuration: Assemble halves (as above) using spacer with mount, then bring assembled semi-circles together using a supplied **standard spacer** (pictured below) between each semi-circle. Use supplied fasteners to fix units together.



Standard Spacer

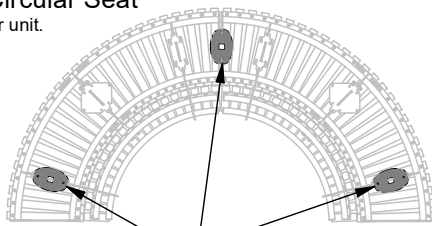


Leg Placement

Depending on the application, the leg placement will change to ensure best performance and stability. This applies to all leg types in the Wandin range except the plinth mount variant.

Semi-Circular Seat

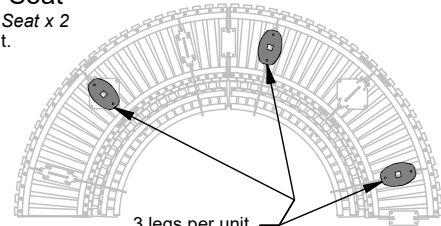
3 Legs per unit.



Use the two outer leg mounting plates and the mounting plate on the spacer.

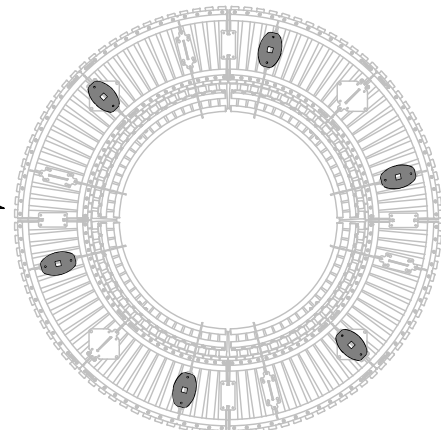
Full Circle Seat

Semi-Circular Seat x 2
3 Legs per unit.



3 legs per unit.
Place the provided spacer on the end of each semicircular seat, and the remaining two in the positions indicated

Even leg spacing can be achieved using the above recommended leg mounting positions.



Hamilton Round Planter

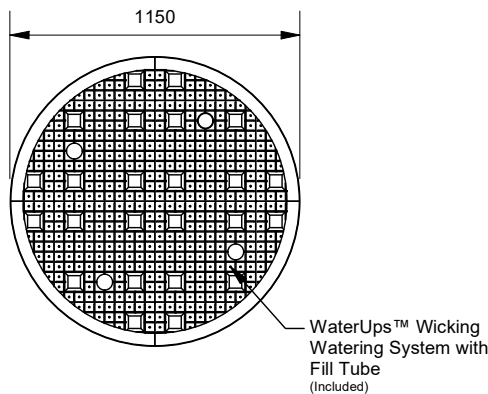
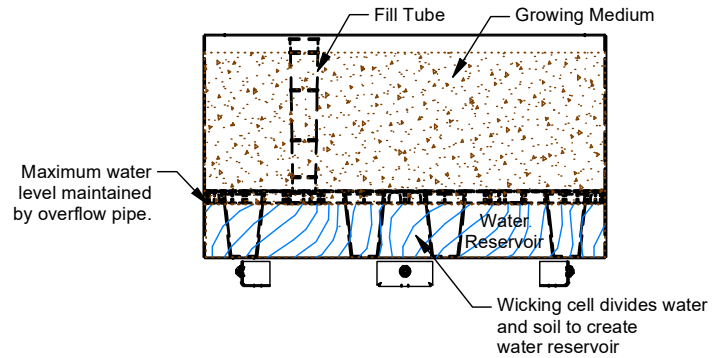
68x11570 - Ø1150mm x 700mm High Hamilton Round Planter

DRAFFIN
Street Furniture

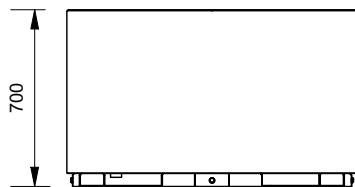


All Hamilton Planters incorporate WaterUps™ wicking cells that make setting up a wicking garden planter easy. A built in overflow pipe prevents overfilling the planter ensuring ideal soil hydration. Plus Hamilton Planters also employ a hideaway mounting system that also makes installation simple.

Watering Management



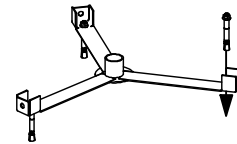
700mm High Model



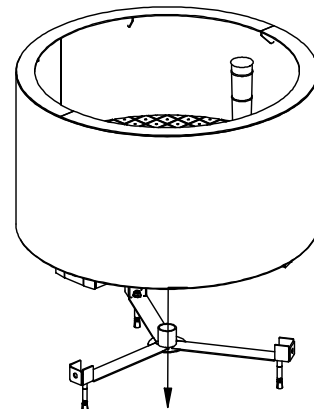
Hideaway Bolt-Down Mounting System (Freestanding or Bolt Down)

Mounting

1. Fix footing to surface
Recommended minimum 100mm anchor for installation



2. Locate planter over footing.



3. Bolt through footing to fix

