

Curved Bike Hoop

Model 88981 - Curved Bike Hoop

DRAFFIN
Street Furniture



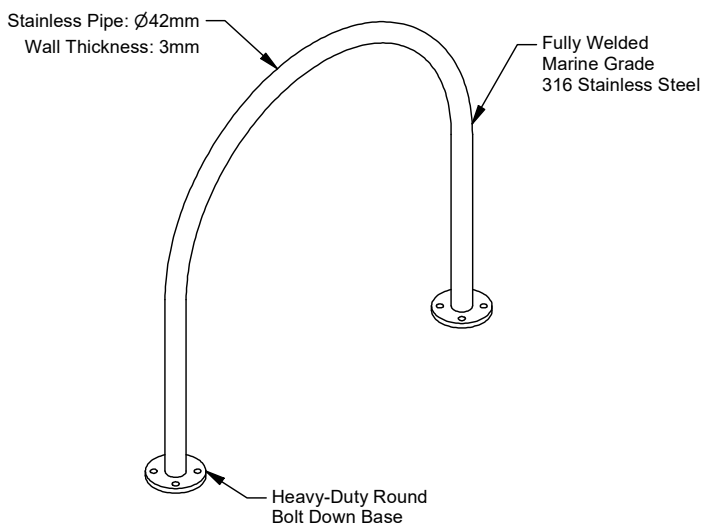
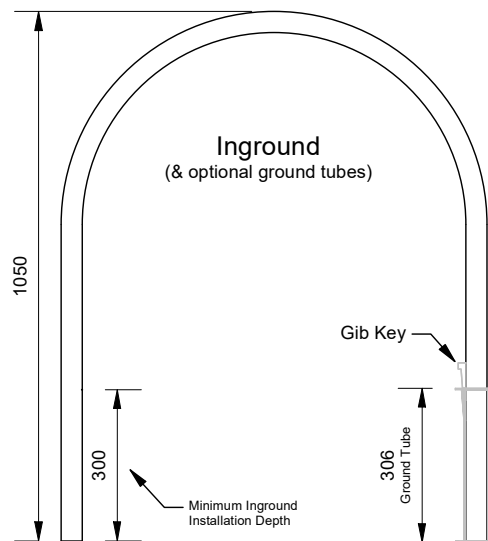
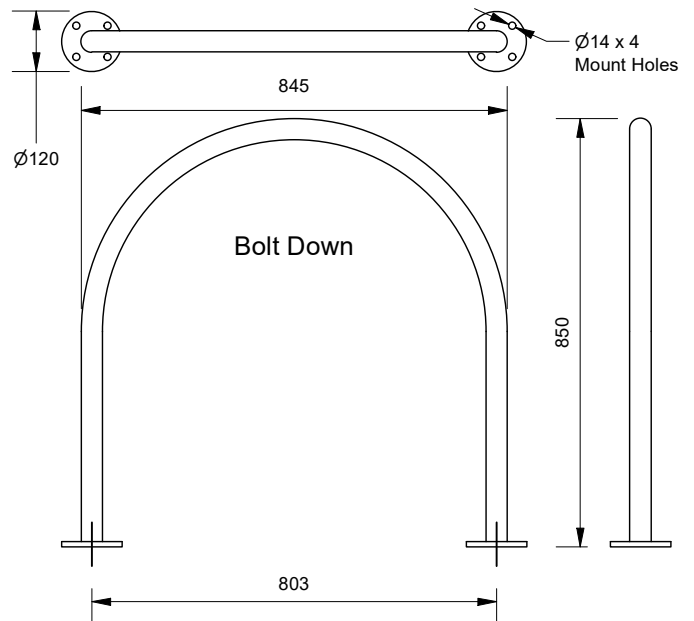
The Curved Bike Hoop is made with marine grade 316 stainless steel for maximum corrosion resistance and hardened performance. Available as a bolt down option or in-ground mounted with optional ground tubes. This style public bike stand suits all bike sizes and shapes regardless of the wheel size.

Mounting Options

- Bolt Down
- Inground

Other Options

- Ground Tubes (for inground option - easy removal/replacement)



More information:
Go to the website for spec inspiration.
88981- Curved Bike Hoop

<https://draffin.com.au/product/curved-stainless-steel-bike-hoop/>

Stainless Steel Guide
<https://draffin.com.au/stainless-steel-guide/>