

Monash Swivel Seat

88641 - Monash Swivel Seat

DRAFFIN
Street Furniture



A truly unique design from the Urban Design Department and Monash City Council. Very heavy duty construction, high end stainless fabrication and precision machined swivel components are incorporated into this fine piece of street furniture.

Batten Material (See batten guide)

40mmx30mm

- Spotted Gum
- Anodised Aluminium
- Powdercoated Aluminium (See colour guide)
- Timber-Look Aluminium - Alpine Ash
- Timber-Look Aluminium - Mountain Gum
- Timber-Look Aluminium - Ironbark
- Enviroslat

Frame Material

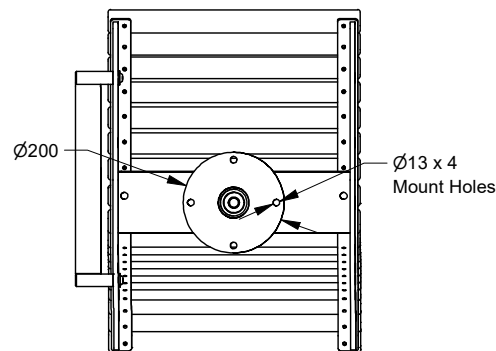
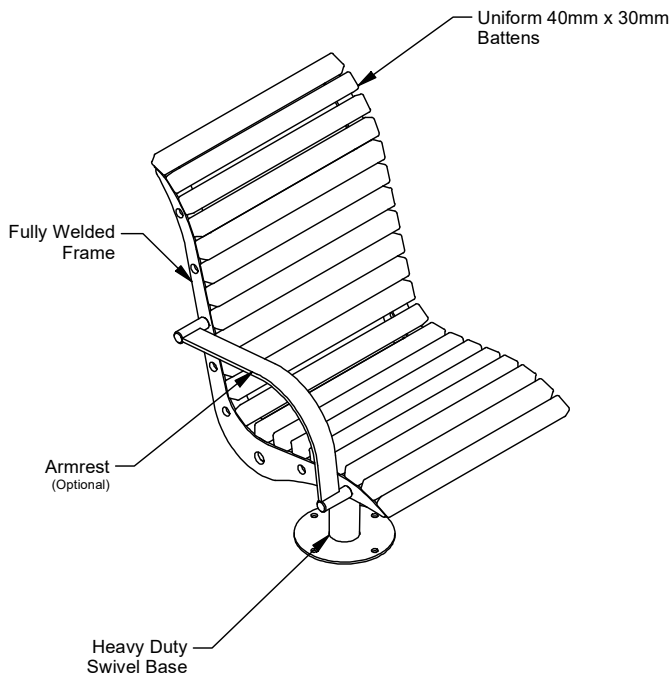
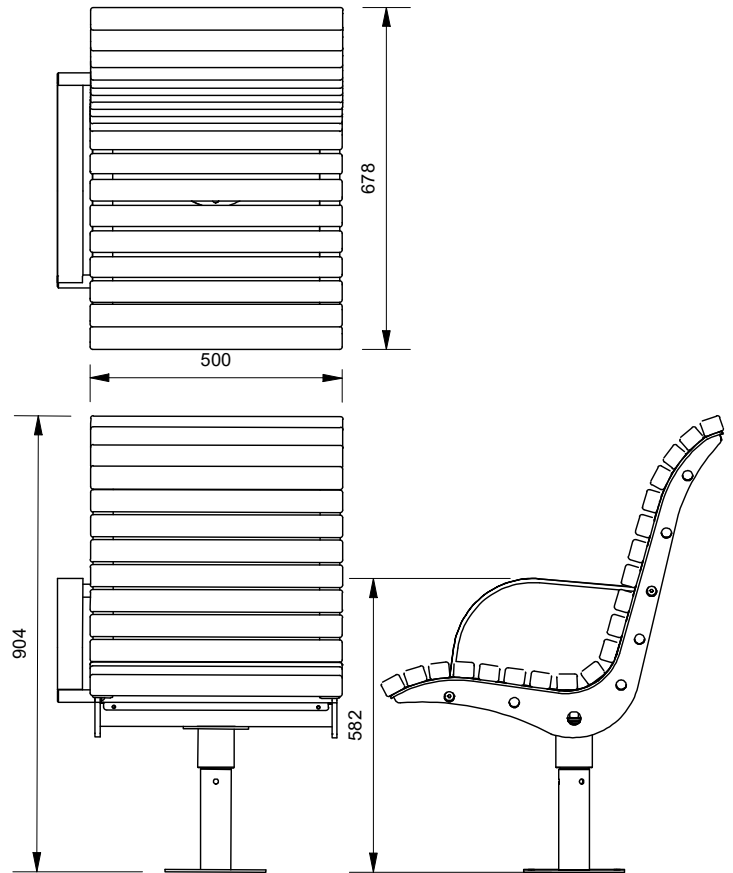
- Galvanised Mild Steel
- 304 Stainless Steel
- 316 Stainless Steel

Mounting Options

- Bolt Down
- Inground

Other Options

- Powdercoat Frames (See colour guide)
- Armrests



More information:

Go to the website for spec inspiration.

88641 - Monash Swivel Seat

<https://draffin.com.au/product/monash-stainless-steel-swivel-seat/>

Batten Guide

<https://draffin.com.au/batten-guide/>

Colour and Plinth Guide

<https://draffin.com.au/colour-guide/>

Stainless Steel Guide

<https://draffin.com.au/stainless-steel-guide/>

DDA guide

<https://draffin.com.au/dda>