

Modular Bike Rack

Model 89023 - Modular Bike Rack

DRAFFIN
Street Furniture



The Modular Bike Rack is a reliable hot dip galvanised mild steel product and can be configured for as many bikes as needed. Bolted together to form continuous bike rack lengths in both single or double sided formats. And mounted to the ground in bolt down or inground applications.

Model

- One Rack Single Side (1 Bike)
- One Rack Double Sided (2 Bikes)
- Two Racks Single Side (2 Bikes)
- Two Racks Double Sided (4 Bikes)
- Three Racks Single Side (3 Bikes)
- Three Racks Double Sided (6 Bikes)
- Four Racks Single Side (4 Bikes)
- Four Racks Double Sided (8 Bikes)
- Five Racks Single Side (5 Bikes)
- Five Racks Double Sided (10 Bikes)

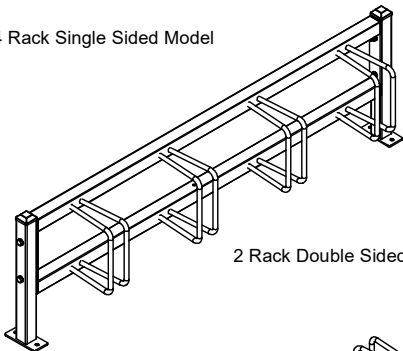
Mounting Option

- Bolt Down
- Inground
- Wall Mount (Single Sided Only)

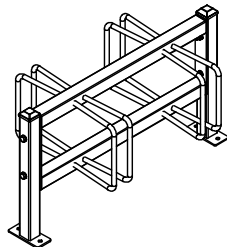
Other Options

- Powdercoated Frames (See Colour Guide)

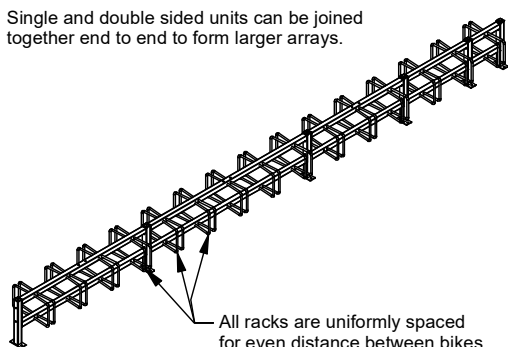
4 Rack Single Sided Model



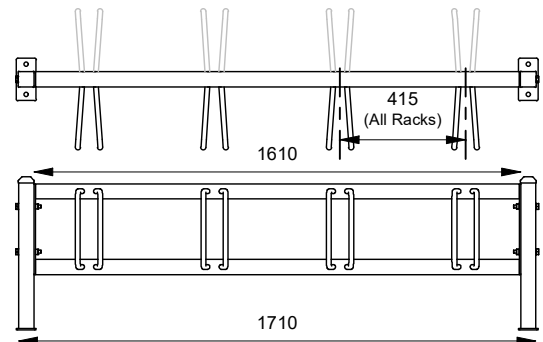
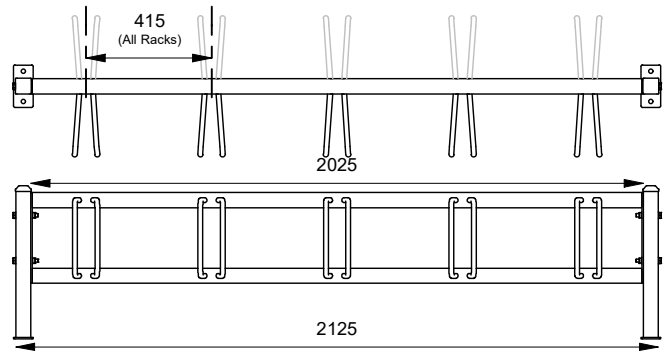
2 Rack Double Sided Model



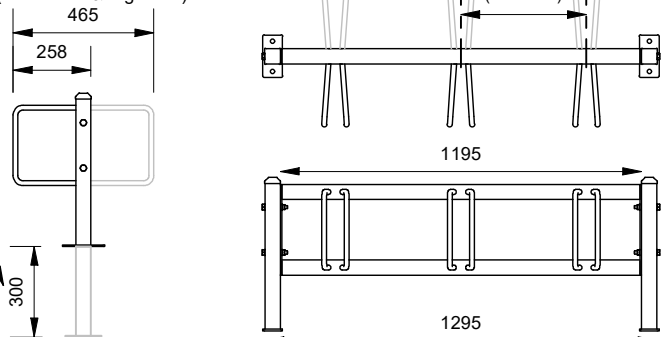
Single and double sided units can be joined together end to end to form larger arrays.



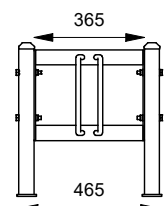
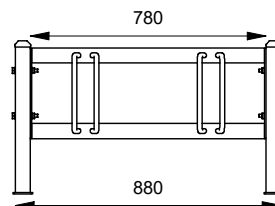
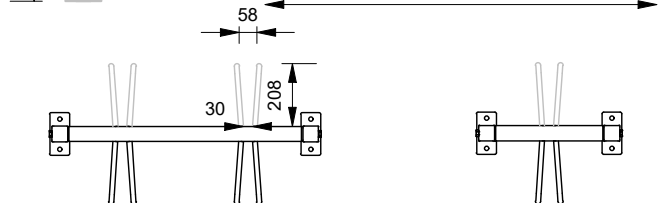
All racks are uniformly spaced for even distance between bikes.



All Models (Bolt Down & Inground)



Minimum Inground Installation Depth



More information:
Go to the website for spec inspiration.
89023 - Modular Bike Rack
<https://draffin.com.au/product/modular-bike-rack/>

Colour and Plinth Guide
<https://draffin.com.au/colour-guide/>