

Heritage One Sided Bench

Model 88030/YARRA - Heritage One Sided Bench

DRAFFIN
Street Furniture



The Heritage One Sided Bench is perfect for placement along walls and perimeters, or used on table settings. A beautiful curved profile has one side turned down, and the other side upturned for seating on one side only. Fully welded frames provide a rock solid heavy-duty base that fully supports the battens.

Batten Material (See batten guide)

40mm x 30mm

- Spotted Gum
- Enviroslat
- Aluminium
- Powdercoated Aluminium
- Timber-Look Aluminium - Alpine Ash
- Timber-Look Aluminium - Ironbark
- Timber-Look Aluminium - Mountain Gum

Frame Material

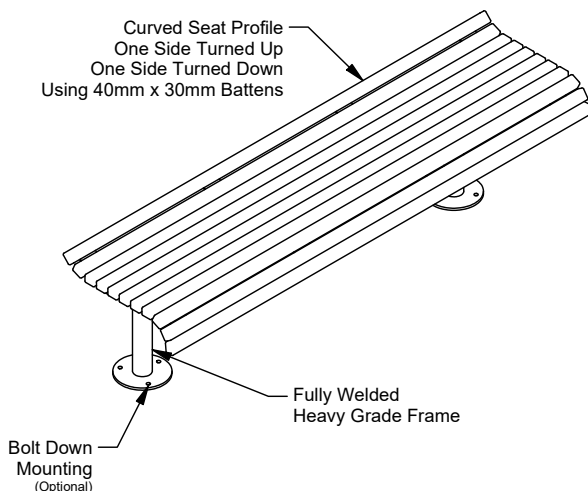
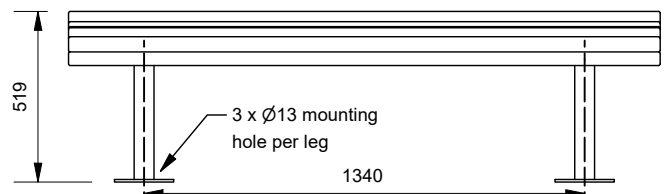
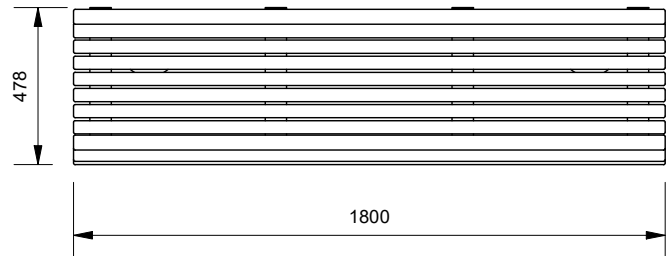
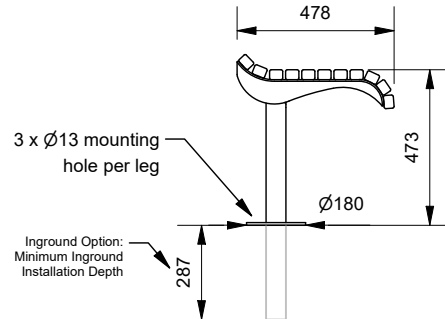
- Galvanised Mild Steel
- 304 Stainless Steel Brushed
- 304 Stainless Steel Blasted
- 316 Stainless Steel Brushed
- 316 Stainless Steel Blasted

Mounting Options

- Bolt Down
- In-ground

Other Options

- Powdercoat Frames (See colour guide)
- Electropolish Frames



More information:

Go to the website for spec inspiration.

88030/YARRA - Heritage One Sided Bench

<https://draffin.com.au/product/heritage-one-sided-bench/>

Batten Guide

<https://draffin.com.au/batten-guide/>

Stainless Steel Guide

<https://draffin.com.au/stainless-steel-guide/>

Colour

<https://draffin.com.au/colour-guide/>

DDA guide

<https://draffin.com.au/dda/>