

# Heritage Curved Bench

Model 88030/YARRA/CV - Heritage Curved Bench

**DRAFFIN**  
Street Furniture



The Heritage Curved Bench is a comfortable, attractive, and reliable public bench suitable for placement almost anywhere or used with table settings. A beautiful curved profile with 40mm x 30mm battens wrapped over fully welded frames. The Heritage Curved Bench is one rock solid and classic performer that has been specified across Australia for decades.

## Batten Material (See batten guide)

40mm x 30mm

- Spotted Gum
- Enviroslat
- Aluminium
- Powdercoated Aluminium
- Timber-Look Aluminium - Alpine Ash
- Timber-Look Aluminium - Ironbark
- Timber-Look Aluminium - Mountain Gum

## Frame Material

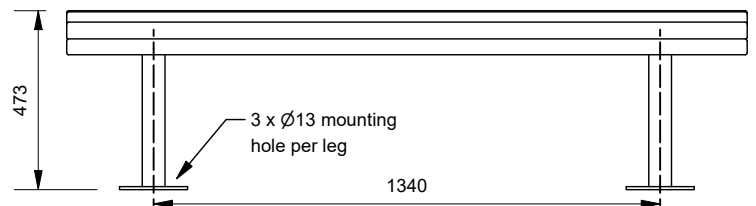
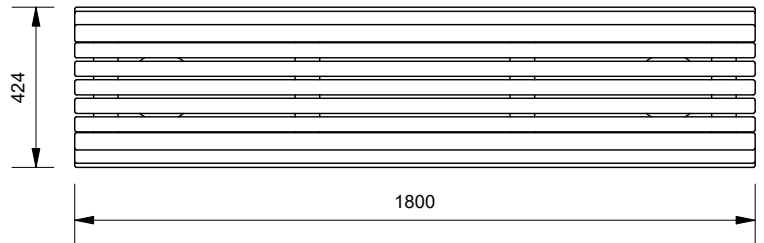
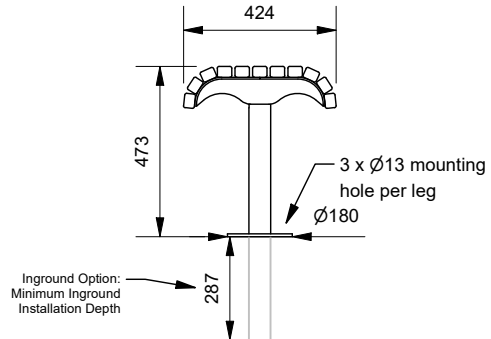
- Galvanised Mild Steel
- 304 Stainless Steel Brushed
- 304 Stainless Steel Blasted
- 316 Stainless Steel Brushed
- 316 Stainless Steel Blasted

## Mounting Options

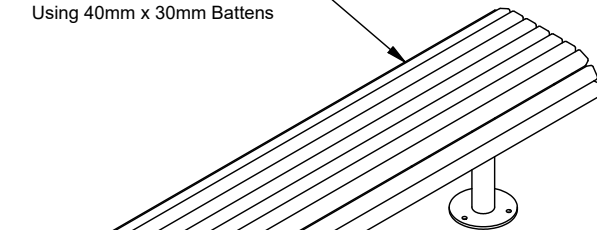
- Bolt Down
- In-ground

## Other Options

- Powdercoat Frames (See colour guide)
- Electropolish Frames



Curved Seat Profile  
Both Sides Turned Down  
Using 40mm x 30mm Battens



Fully Welded  
Heavy Grade Frame

Bolt Down  
Mounting  
(Optional)

More information:

Go to the website for spec inspiration.

**88030/YARRA/CV** - Heritage Curved Bench

<https://draffin.com.au/product/heritage-curved-bench/>

Batten Guide

<https://draffin.com.au/batten-guide/>

Stainless Steel Guide

<https://draffin.com.au/stainless-steel-guide/>

Colour

<https://draffin.com.au/colour-guide/>

DDA guide

<https://draffin.com.au/dda/>