

Heritage Seat

Model 87896/YARRA - Heritage Seat

DRAFFIN
Street Furniture



The Heritage Seat has the works built into it. Heavy gauge material is used in the fully welded frames to produce a rock solid frame that supports battens that are laid across a comfortable seating profile. And fully welded armrests form part of the Heritage Seat's extremely rigid frame. Engineered and proven to stand the test of time, the Heritage Seat is specified into municipalities that demand dependable reliability.

Batten Material (See batten guide)

40mm x 30mm

- Spotted Gum
- Enviroslat
- Aluminium
- Powdercoated Aluminium
- Timber-Look Aluminium - Alpine Ash
- Timber-Look Aluminium - Ironbark
- Timber-Look Aluminium - Mountain Gum

Frame Material

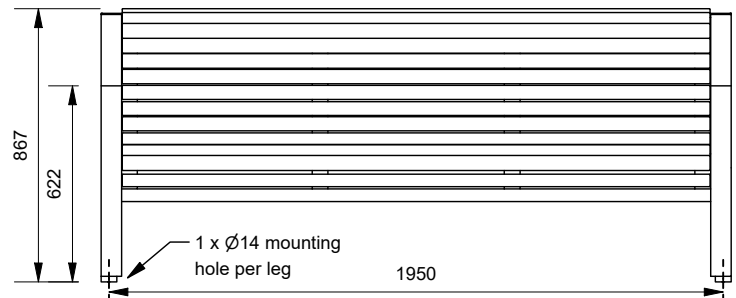
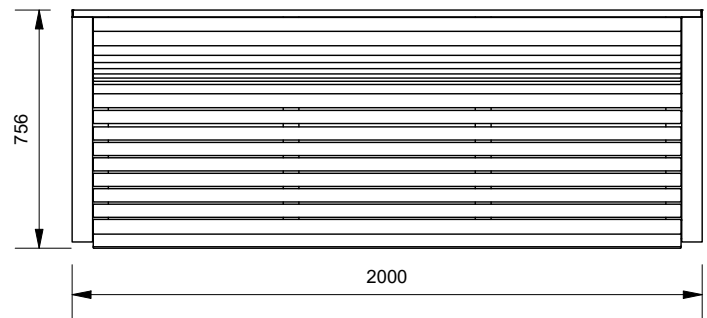
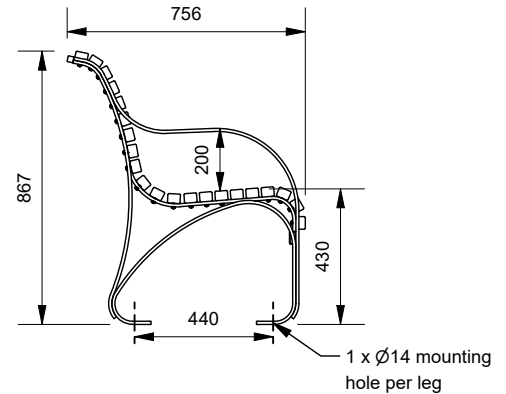
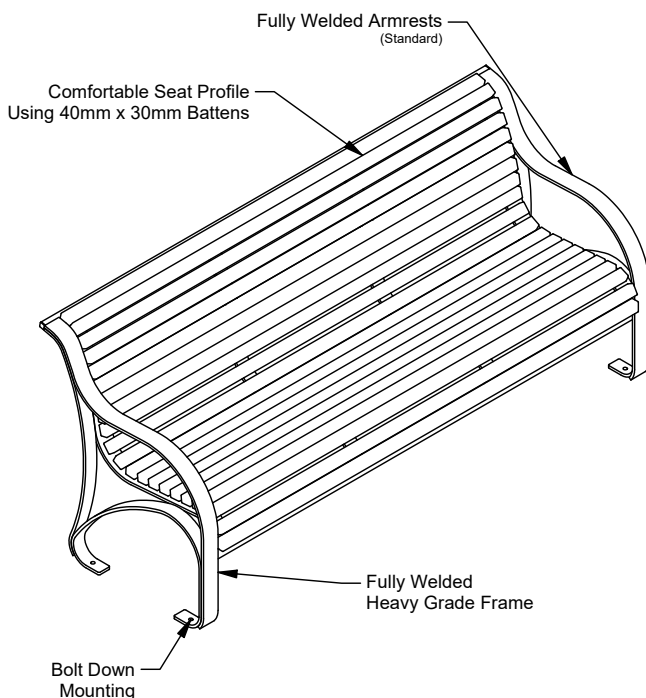
- Galvanised Mild Steel
- 304 Stainless Steel Brushed
- 316 Stainless Steel Blasted
- 304 Stainless Steel Brushed
- 316 Stainless Steel Blasted

Mounting Options

- Bolt Down
- In-ground Anchors

Other Options

- Powdercoat Frames (See colour guide)
- Electropolished Frames



More information:
Go to the website for spec inspiration.
87896/YARRA - Heritage Seat
<https://draffin.com.au/product/heritage-seat/>

Batten Guide
<https://draffin.com.au/batten-guide/>

Colour
<https://draffin.com.au/colour-guide/>

Stainless Steel Guide
<https://draffin.com.au/stainless-steel-guide/>

DDA guide
<https://draffin.com.au/dda/>