

# Hepburn Stool

89198 - Hepburn Stool

**DRAFFIN**  
Street Furniture



The Hepburn stool has round top with inset battens. The battens are protected and supported by a heavy duty steel frame with an outer ring. The Hepburn Stool can be optioned for bolt-down or in-ground mounting, with standard and bar height variants available. The Hepburn Stool compliments many other table settings.

## Stool Height

- 430mm
- 760mm

## Batten Material (See batten guide)

65mm x 19mm

- Spotted Gum
- Enviroslat
- Anodised Aluminium
- Powdercoated Aluminium (See colour guide)
- Timber-Look Aluminium - Alpine Ash
- Timber-Look Aluminium - Mountain Gum
- Timber-Look Aluminium - Ironbark

## Frame Material

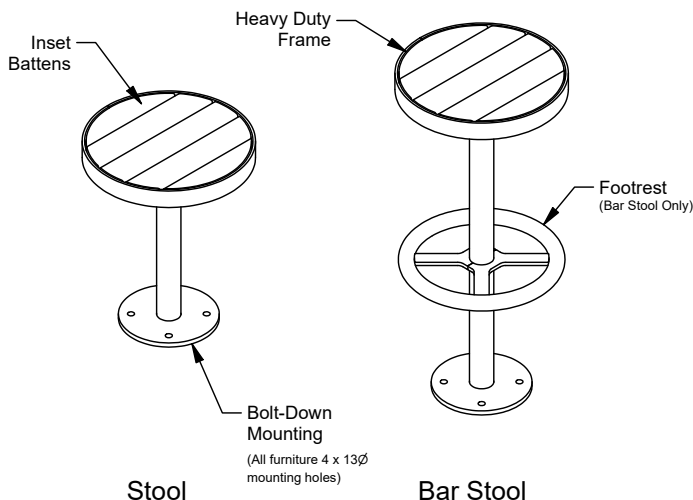
- Galvanised Mild Steel
- 304 Grade Stainless Steel
- 316 Grade Stainless Steel
- Brushed
- Bead Blasted

## Mounting Options

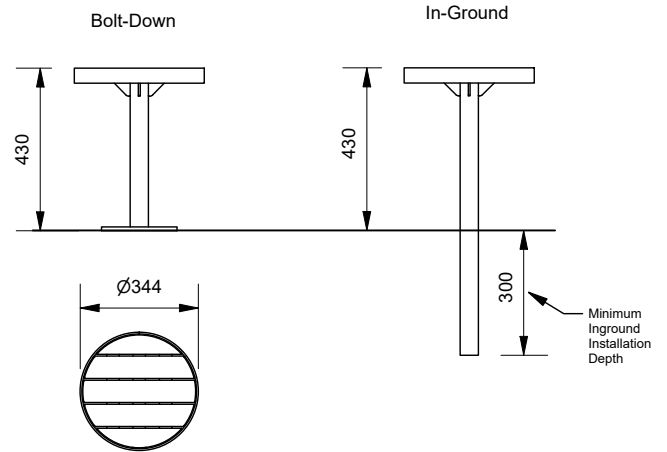
- Bolt Down
- Inground
- Ground Tubes

## Other Options

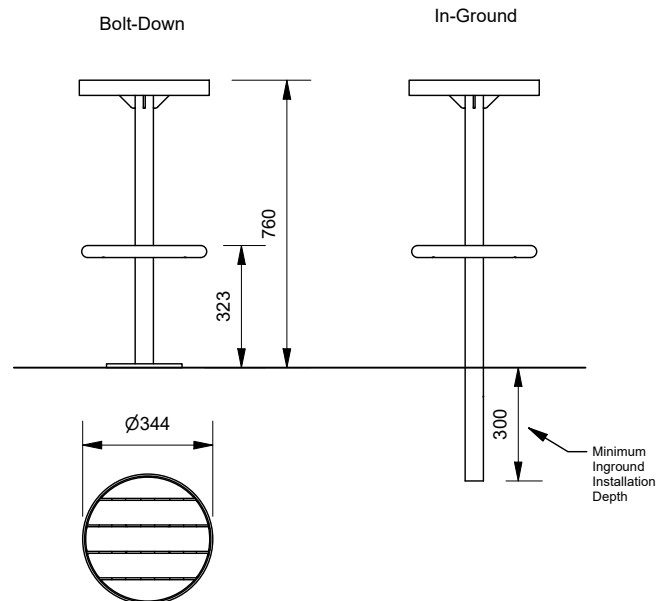
- Powdercoat Frames



## Stool



## Bar Stool



More information:

Go to the website for spec inspiration.

**89198 - Hepburn Stool**

<https://draffin.com.au/product/hepburn-cafe-stool/>

Batten Guide

<https://draffin.com.au/batten-guide/>

Colour and Plinth Guide

<https://draffin.com.au/colour-guide/>

Stainless Steel Guide

<https://draffin.com.au/stainless-steel-guide/>

DDA guide

<https://draffin.com.au/dda/>