

888 Infinity Series Canopy Cover Bin Surround

Model 88804 - 120lt Infinity Series Canopy Cover Bin Surround

*Registered design 201810464.
*Patent no 2018900173

120lt Model

DRAFFIN
Street Furniture



The Infinity Series Canopy Cover Bin Surround is ideal for outdoor placement with 360 degree access to the opening underneath the canopy. Infinity Series offers the largest standard option list of any bin enclosure in Australia to ensure Infinity Series can be specified for use in almost any application.

Size

- 120lt

Cover Style

- Polished 304 Stainless Steel Cover with Canopy (Standard)
- Polished 316 Stainless Steel Cover with Canopy

Canopy Material

- Powdercoated Mild Steel (See Colour Guide)
- 304 Stainless Steel
- 316 Stainless Steel

Frame Material

- Powdercoated Mild Steel (See Colour Guide)
- 304 Stainless Steel
- 316 Stainless Steel

Door and Rear Panel Material

- Powdercoated Mild Steel (See Colour Guide)
- 304 Stainless Steel
- 316 Stainless Steel

Side Panel Material

- Powdercoated Mild Steel (See Colour Guide)
- 304 Stainless Steel
- 316 Stainless Steel

Side Panel Battens (optional) (See Batten Guide)

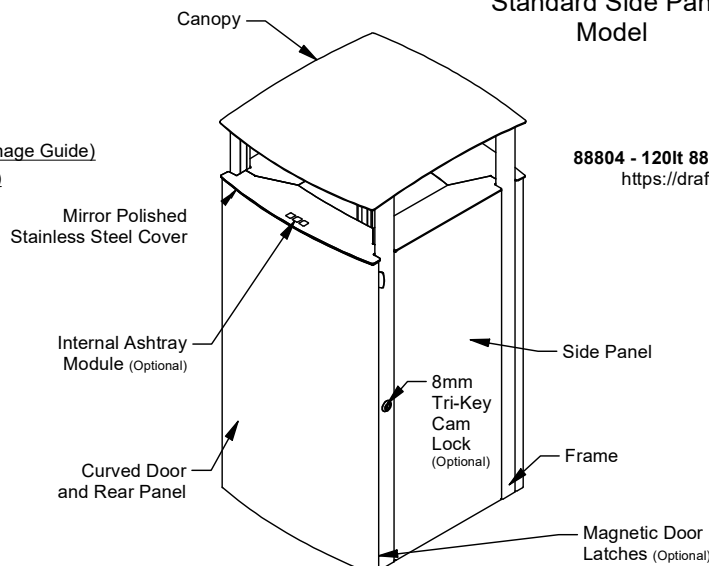
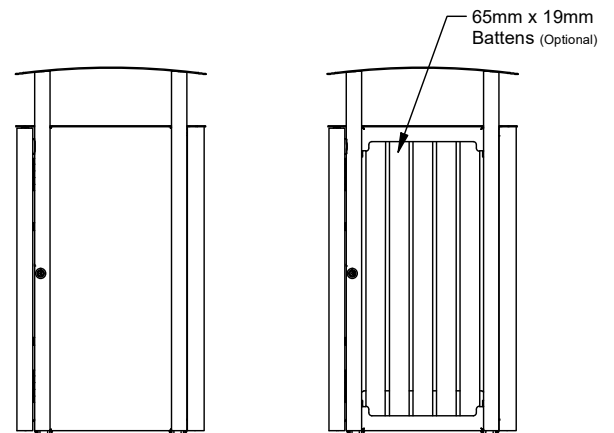
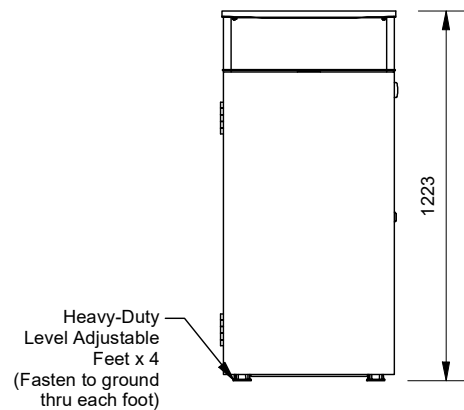
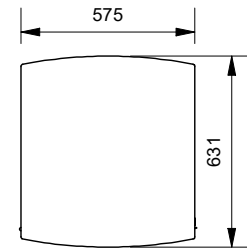
- None
- Spotted Gum Battens
- Enviroslat Composite Battens
- Timber-Look Aluminium Battens

Lock System

- Cam Lock
- Magnet Latch
- Both

Other Options

- Communication Signage (See Signage Guide)
- Perforations (See Perforation Guide)
- Ashtray Module
- Laser Cut Logo
- Logo Backing Plates



More information:
Go to the website for spec inspiration.

88804 - 120lt 888 Infinity Series Canopy Cover Bin Surround
<https://draffin.com.au/product/infinity-bin-surround-canopy/>

Colour Guide
<https://draffin.com.au/colour-guide/>

Perforation Guide
<https://draffin.com.au/perforation-patterns/>

Signage Guide
<https://draffin.com.au/signage-guide/>

Batten Guide
<https://draffin.com.au/batten-guide/>

Stainless Steel Guide
<https://draffin.com.au/stainless-steel-guide/>

888 Infinity Series Canopy Cover Bin Surround

Model 88814 - 240lt Infinity Series Canopy Cover Bin Surround

*Registered design 201810464.
*Patent no 2018900173

240lt Model

DRAFFIN
Street Furniture



The Infinity Series Canopy Cover Bin Surround is ideal for outdoor placement with 360 degree access to the opening underneath the canopy. Infinity Series offers the largest standard option list of any bin enclosure in Australia to ensure Infinity Series can be specified for use in almost any application.

Size

- 240lt

Cover Style

- Polished 304 Stainless Steel Cover with Canopy (Standard)
- Polished 316 Stainless Steel Cover with Canopy

Canopy Material

- Powdercoated Mild Steel (See Colour Guide)
- 304 Stainless Steel
- 316 Stainless Steel

Frame Material

- Powdercoated Mild Steel (See Colour Guide)
- 304 Stainless Steel
- 316 Stainless Steel

Door and Rear Panel Material

- Powdercoated Mild Steel (See Colour Guide)
- 304 Stainless Steel
- 316 Stainless Steel

Side Panel Material

- Powdercoated Mild Steel (See Colour Guide)
- 304 Stainless Steel
- 316 Stainless Steel

Side Panel Battens (optional) (See Batten Guide)

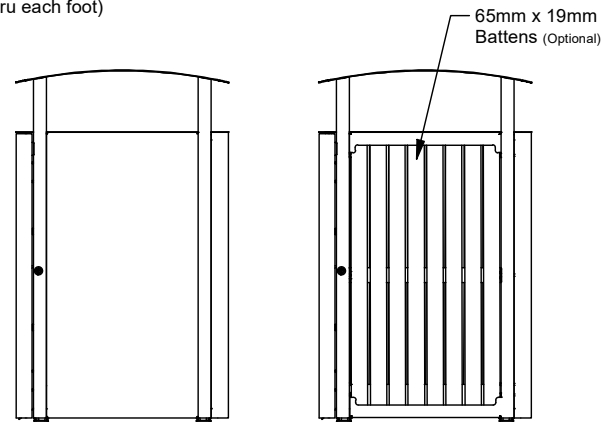
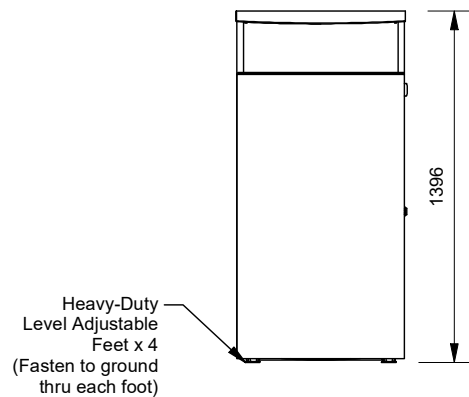
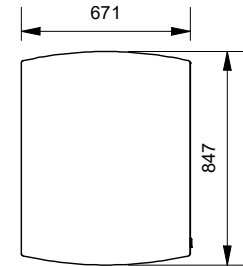
- None
- Spotted Gum Battens
- Enviroslat Composite Battens
- Timber-Look Aluminium Battens

Lock System

- Cam Lock
- Magnet Latch
- Both

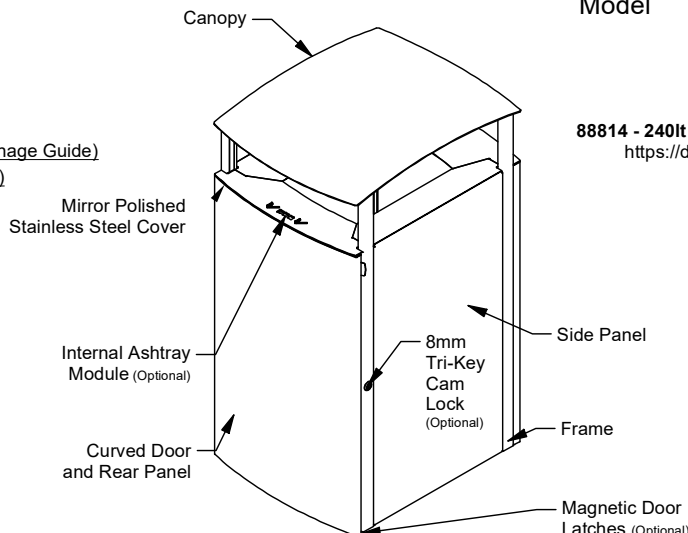
Other Options

- Communication Signage (See Signage Guide)
- Perforations (See Perforation Guide)
- Ashtray Module
- Laser Cut Logo
- Logo Backing Plates



Standard Side Panel Model

Batten Side Panel Model



More information:
Go to the website for spec inspiration.

88814 - 240lt 888 Infinity Series Canopy Cover Bin Surround
<https://draffin.com.au/product/infinity-bin-surround-canopy/>

Colour Guide
<https://draffin.com.au/colour-guide/>

Perforation Guide
<https://draffin.com.au/perforation-patterns/>

Signage Guide
<https://draffin.com.au/signage-guide/>

Batten Guide
<https://draffin.com.au/batten-guide/>

Stainless Steel Guide
<https://draffin.com.au/stainless-steel-guide/>