

Sit n' Shade

88528 - Sit n' Shade Structure
88528/Broad - Sit n' Shade Broad Roof Structure
88563/NB - Sit n' Shade Bench
88563 - Sit n' Shade Seat with Back
88562 - Sit n' Shade Dual Seat with Back

DRAFFIN
Street Furniture



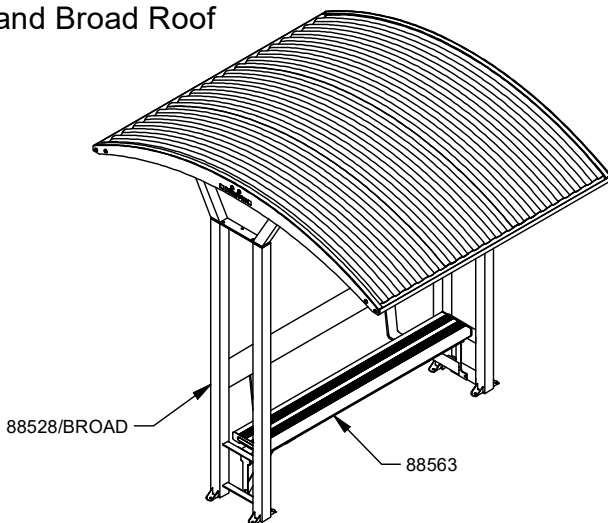
- These are generic instructions for the installation of Draffin Street Furniture's Sit n' Shade Shelter Suite.
- This product should be installed by an appropriately qualified or skilled person.
- These instructions cover the assembly of various suite options, component quantities and appearances may vary.
- Further information is available by contacting Draffin Street Furniture (www.draffin.com.au) via the following QR code:



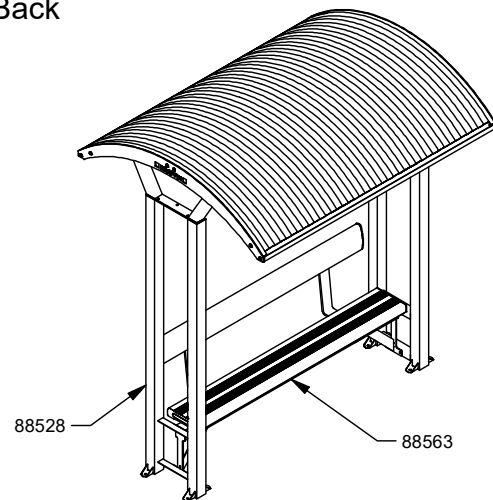
Draffin Street Furniture Website

- General product and contact information

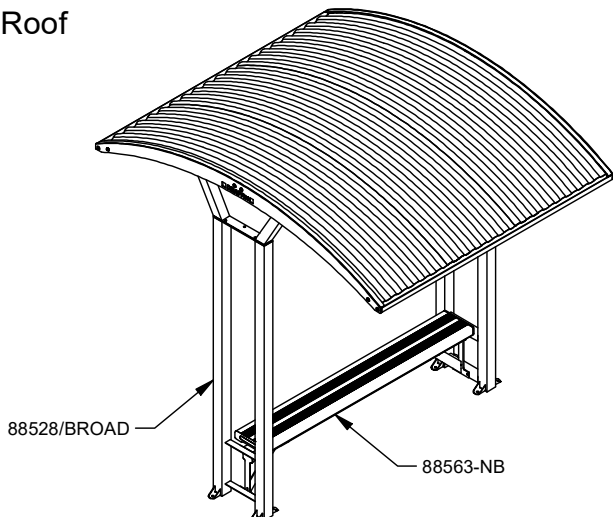
Sit n' Shade Aluminium Seat With Back and Broad Roof



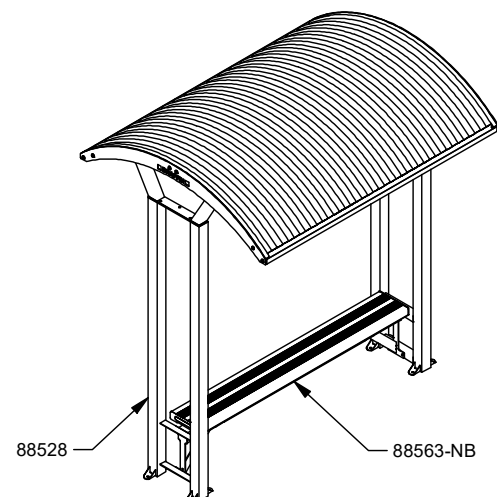
Sit n' Shade Aluminium Seat With Back



Sit n' Shade Aluminium Bench With Broad Roof



Sit n' Shade Aluminium Seat



Sit n' Shade

88528 - Sit n' Shade Structure
88528/Broad - Sit n' Shade Broad Roof Structure
88563/NB - Sit n' Shade Bench
88563 - Sit n' Shade Seat with Back
88562 - Sit n' Shade Dual Seat with Back

DRAFFIN
Street Furniture



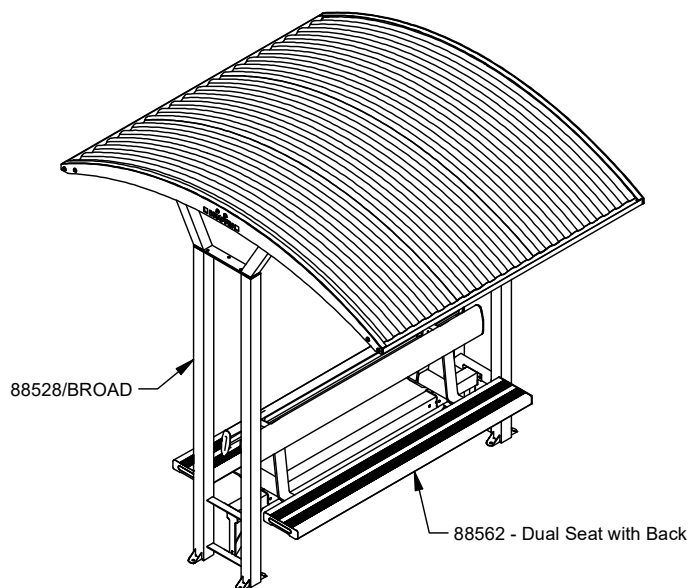
- These are generic instructions for the installation of Draffin Street Furniture's Sit n' Shade Shelter Suite.
- This product should be installed by an appropriately qualified or skilled person.
- These instructions cover the assembly of various suite options, component quantities and appearances may vary.
- Further information is available by contacting Draffin Street Furniture (www.draffin.com.au) via the following QR code:



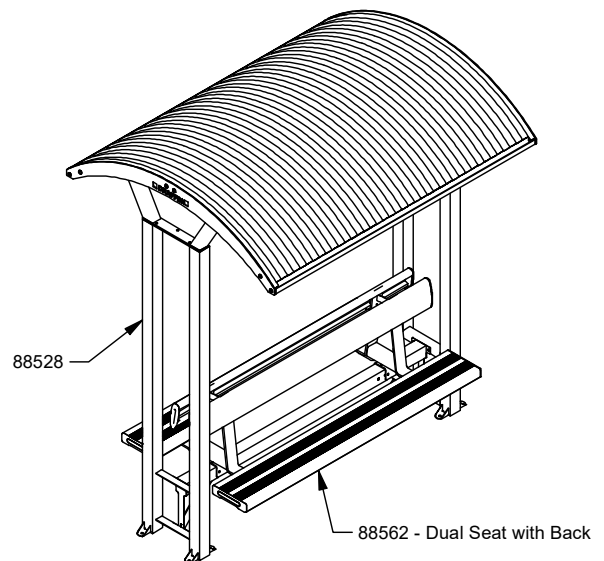
Draffin Street Furniture Website

- General product and contact information

Sit 'n' Shade Aluminium Seat With Back and Broad Roof (2 seats)



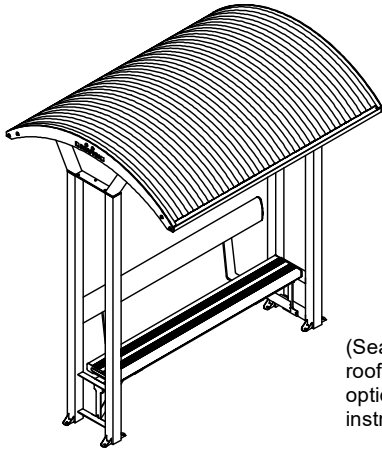
Sit 'n' Shade Aluminium Seat With Back With Broad Roof (2 seats)



Sit n' Shade

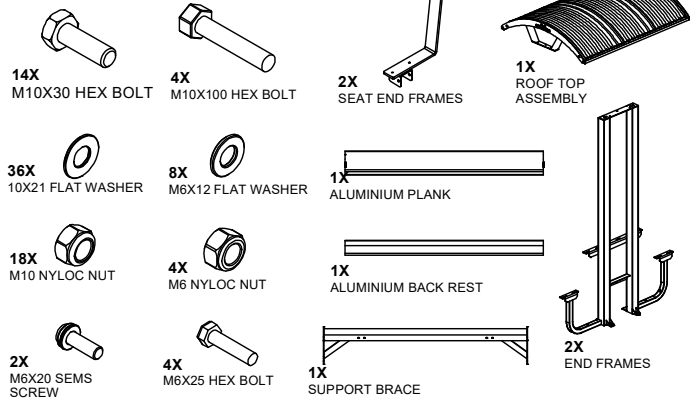
88528 - Sit n' Shade Structure
 88528/Broad - Sit n' Shade Broad Roof Structure
 88563/NB - Sit n' Shade Bench
 88563 - Sit n' Shade Seat with Back
 88562 - Sit n' Shade Dual Seat with Back

DRAFFIN
 Street Furniture

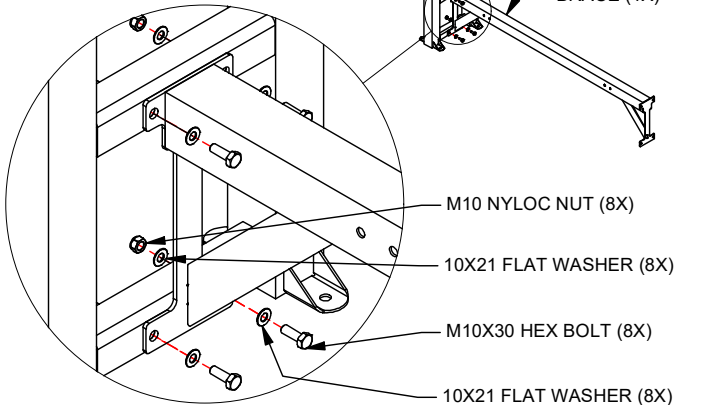


(Seat with backrest - standard roof option shown, other options available, same instructions apply)

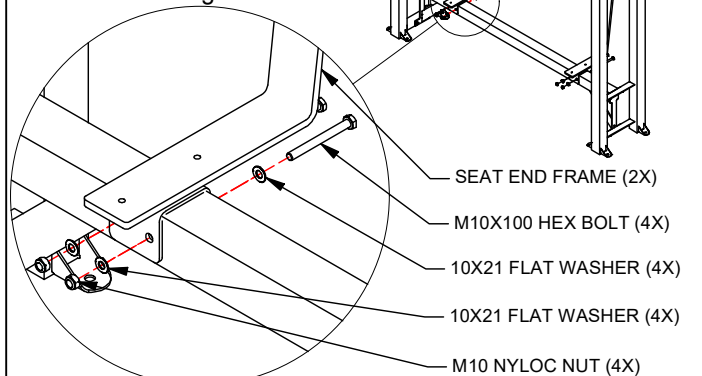
COMPONENTS:



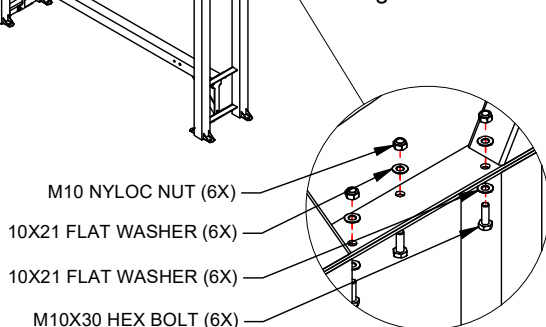
1. Locate 1 of the end frames and the support brace. Position the end frame up-right. Resting one end of the brace on the ground, fix the other to the end frame as shown. Then do this for the other side.



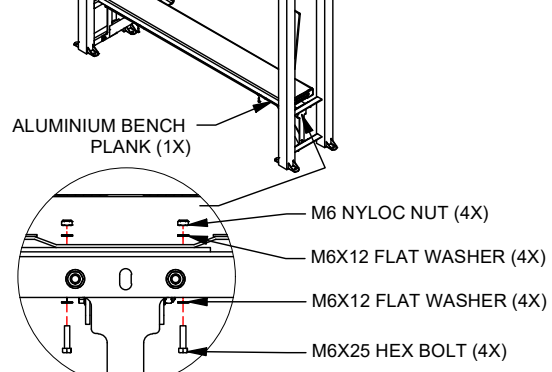
3. Locate the seat end frames. Position them on the brace rail of the shade structure, lining up the two holes of the seat end frame with the inner two holes at each end, then fix using the fasteners shown in diagram.



2. Place roof structure on top of end frames and position so that the pins drop into the holes then fasten together as shown.



4. Fit the seat plank to the frame using the fasteners shown in the diagram.

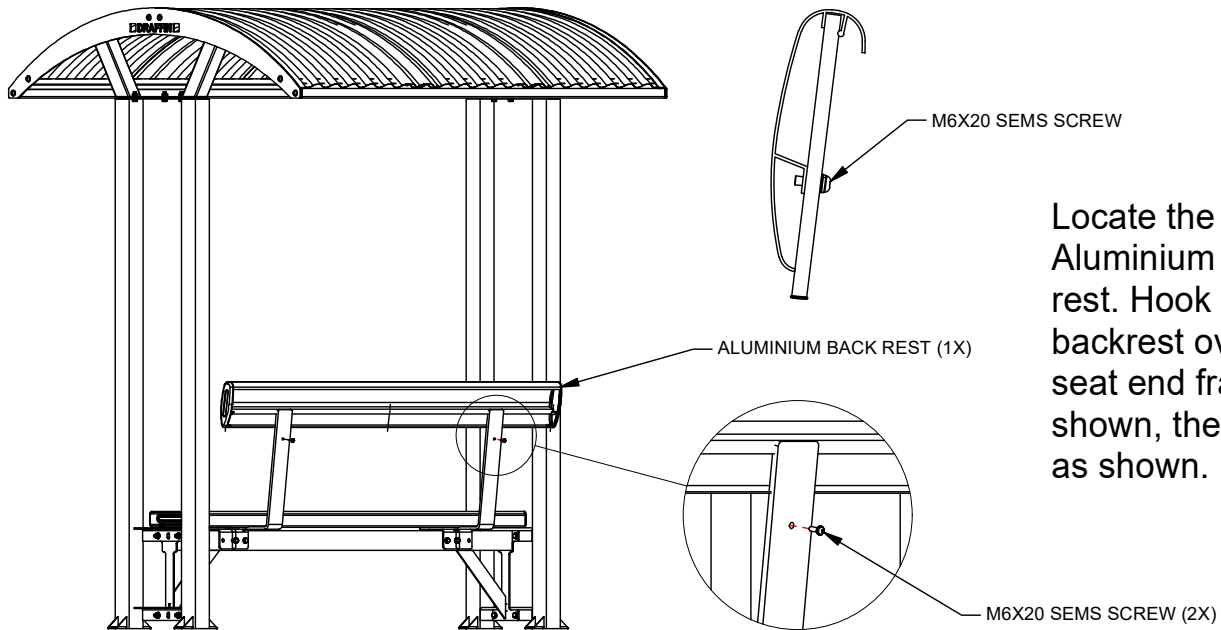


Sit n' Shade

- 88528 - Sit n' Shade Structure
- 88528/Broad - Sit n' Shade Broad Roof Structure
- 88563/NB - Sit n' Shade Bench
- 88563 - Sit n' Shade Seat with Back
- 88562 - Sit n' Shade Dual Seat with Back

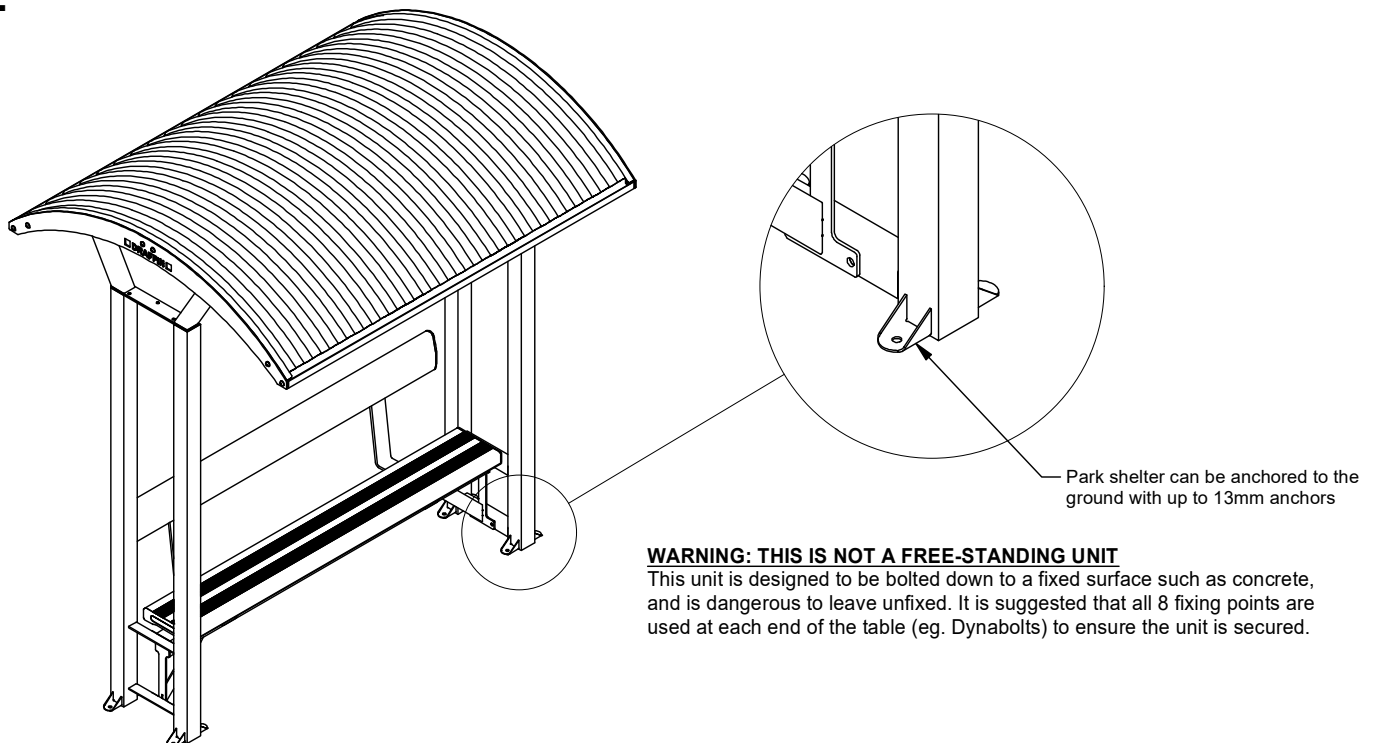


5.



Locate the Aluminium back rest. Hook backrest over the seat end frame as shown, then fasten as shown.

6.



WARNING: THIS IS NOT A FREE-STANDING UNIT

This unit is designed to be bolted down to a fixed surface such as concrete, and is dangerous to leave unfixd. It is suggested that all 8 fixing points are used at each end of the table (eg. Dynabolts) to ensure the unit is secured.