

Emerson Round Steel Slatted Setting

88357 - Emerson Round Steel Slatted Table
88356 - Curved Slim Steel Slatted Bench Seat



The Emerson Steel Slatted Round Setting is a dependable round table setting. An extremely heavy duty solution for the most demanding conditions. The table and benches can be optioned for bolt-down or inground applications, and are available in a variety of heavy grade materials and finishes.

Frame Options

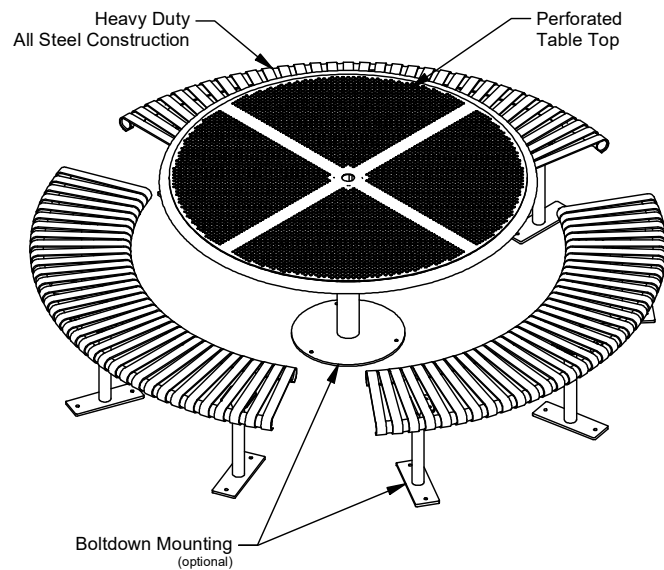
- Galvanised Mild Steel
- 316 Stainless Steel - Brush Finish
- 316 Stainless Steel - Bead Blasted Finish

Mounting Options

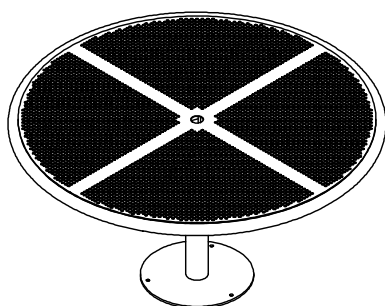
- Bolt Down
- Inground
- Ground Tubes

Other Options

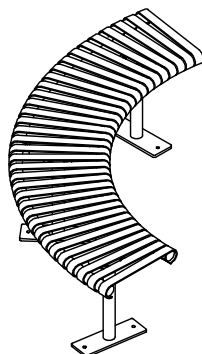
- Powdercoated Frames (See Colour Guide)



Product components:

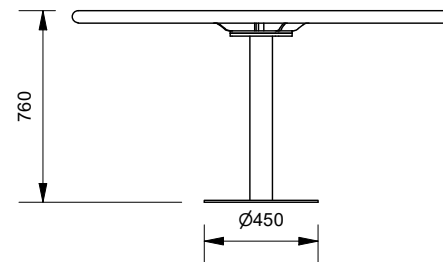
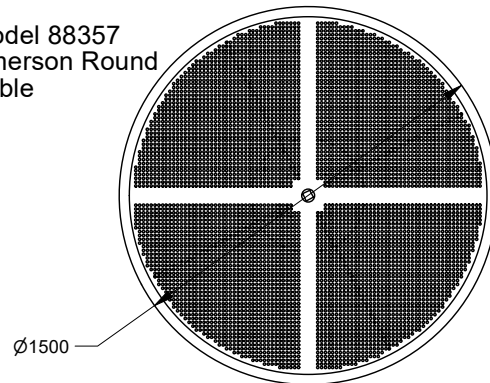


88357 - Emerson Table

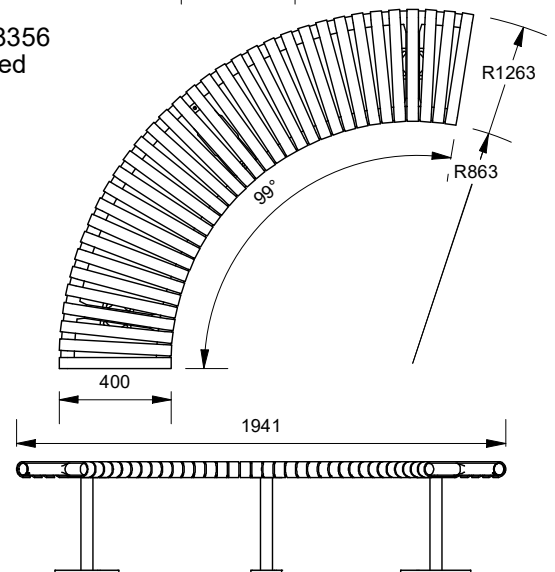


88356 - Curved Slim Steel Slatted Bench

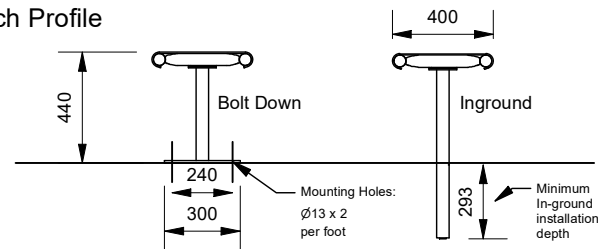
Model 88357
Emerson Round Table



Model 88356
99° Curved Bench



Bench Profile



More information:

Go to the website for spec inspiration.

88357 - Emerson Round Steel Slatted Setting
<https://draffin.com.au/product/emerson-table-and-seat/>

Colour Guide
<https://draffin.com.au/colour-guide/>

Stainless Steel Guide
<https://draffin.com.au/stainless-steel-guide/>

DDA guide
<https://draffin.com.au/dda>