

800 Series 120lt Bin Surround

Model 810 - 800 Series Pivot Chute Cover 120lt Bin Surround
(Multi-bay)

DRAFFIN
Street Furniture



800 series Bin Surrounds with Pivot Chute Cover make an ideal outdoor bin enclosure, designed to prevent wildlife access to the wheelie bin. Pull down chute handle to open, rubbish slides down chute, and when releasing the handle the chute closes gently preventing injury.

Size

- 120lt

Number of Bays (Joined together)

- Single Bay
- Double Bay
- Triple Bay

Cover Style

- Pivot Chute

Cover Material

- Powdercoated Mild Steel (See Colour Guide)
- 304 Stainless Steel
- 316 Stainless Steel

Chute Material

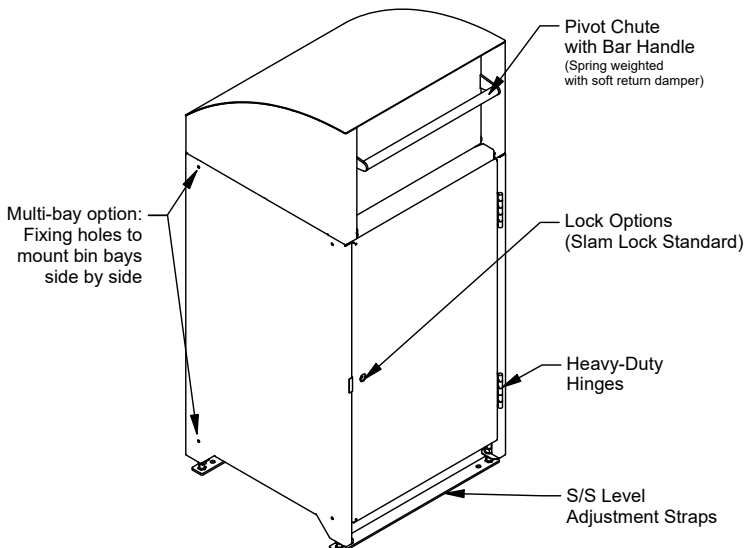
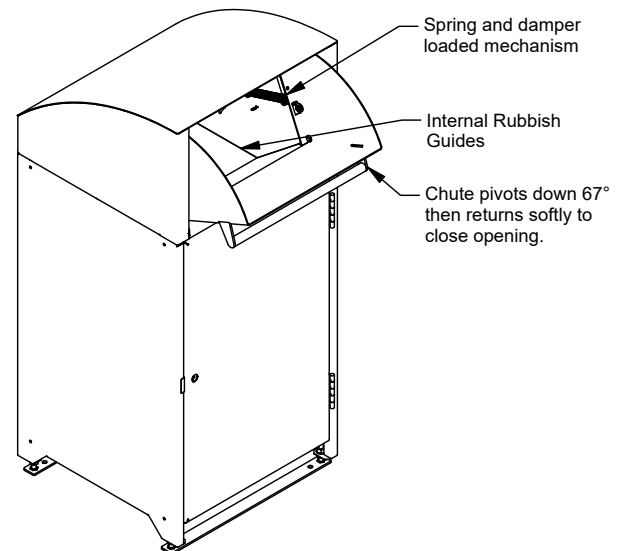
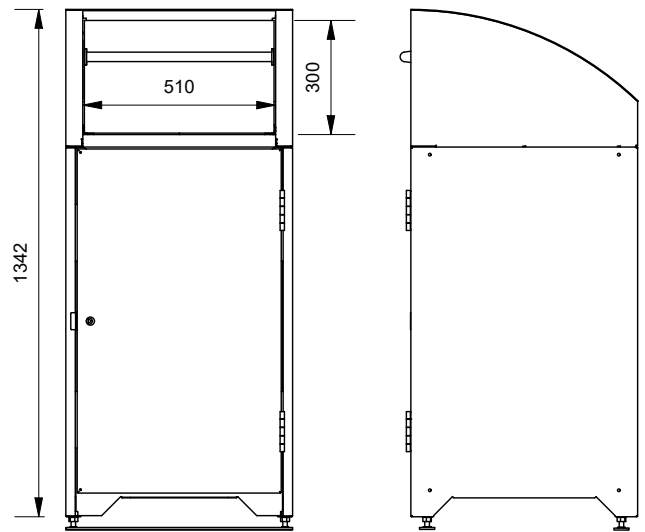
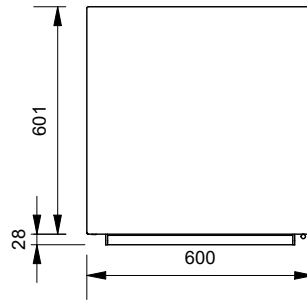
- 304 Stainless Steel
- 316 Stainless Steel

Panel Material

- Powdercoated Mild Steel (See Colour Guide)
- 304 Stainless Steel
- 316 Stainless Steel

Other Options

- S/S Cam Lock (Replaces Slam Lock)
- Magnetic Door Latches
- Ashtray Module
- Dog Bag Dispenser
- Perforations (See Perforation Guide)
- Laser Cut Logos
- Logo Backing Plates
- Coloured Face Plates Decal
- Communication Signage (See Signage Guide)



More information:
Go to the website for spec inspiration.
810 - 120lt 800 Series Pivot Chute Cover Bin Surround
<https://draffin.com.au/product/800-series-with-pivot-chute-cover/>

Colour Guide
<https://draffin.com.au/colour-guide/>

Signage Guide
<https://draffin.com.au/signage-guide/>

Stainless Steel Guide
<https://draffin.com.au/stainless-steel-guide/>

800 Series 240lt Bin Surround

Model 850 - 800 Series Pivot Chute Cover 240lt Bin Surround
(Multi-bay)

DRAFFIN
Street Furniture



800 series Bin Surrounds with Pivot Chute Cover make an ideal outdoor bin enclosure, designed to prevent wildlife access to the wheelie bin. Pull down chute handle to open, rubbish slides down chute, and when releasing the handle the chute closes gently preventing injury.

Size

- 240lt

Number of Bays (Joined together)

- Single Bay
- Double Bay
- Triple Bay

Cover Style

- Pivot Chute

Cover Material

- Powdercoated Mild Steel ([See Colour Guide](#))
- 304 Stainless Steel
- 316 Stainless Steel

Chute Material

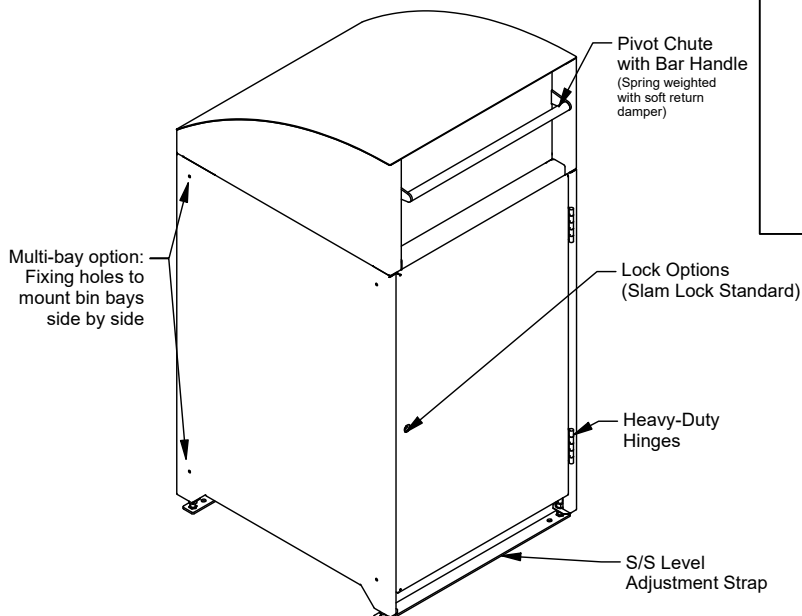
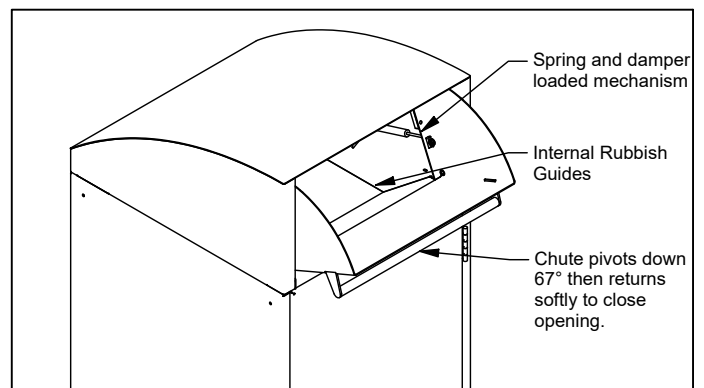
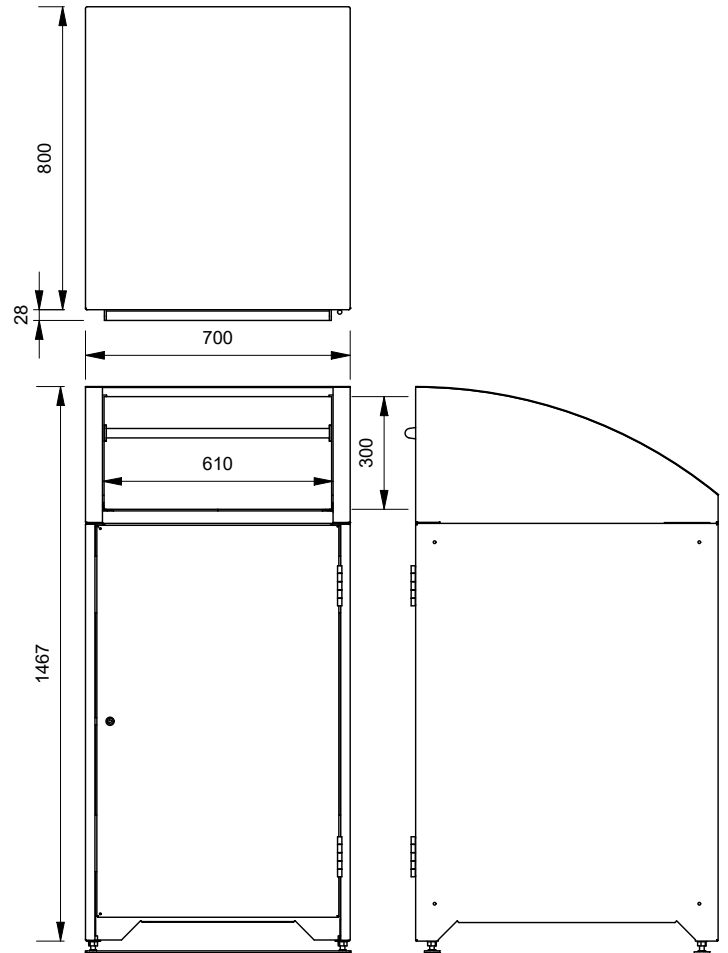
- 304 Stainless Steel
- 316 Stainless Steel

Panel Material

- Powdercoated Mild Steel ([See Colour Guide](#))
- 304 Stainless Steel
- 316 Stainless Steel

Other Options

- S/S Cam Lock (*Replaces Slam Lock*)
- Magnetic Door Latches
- Ashtray Module
- Dog Bag Dispenser
- Perforations ([See Perforation Guide](#))
- Laser Cut Logos
- Logo Backing Plates
- Coloured Face Plates Decal
- Communication Signage ([See Signage Guide](#))



More information:
Go to the website for spec inspiration.
850 - 240lt 800 Series Pivot Chute Cover Bin Surround
<https://draffin.com.au/product/800-series-with-pivot-chute-cover/>

Colour Guide
<https://draffin.com.au/colour-guide/>

Signage Guide
<https://draffin.com.au/signage-guide/>

Stainless Steel Guide
<https://draffin.com.au/stainless-steel-guide/>

800 Series Bin Surround Installation

Installation Guide - 800 Series Pivot Chute Cover Bin Surround (Multi-bay)



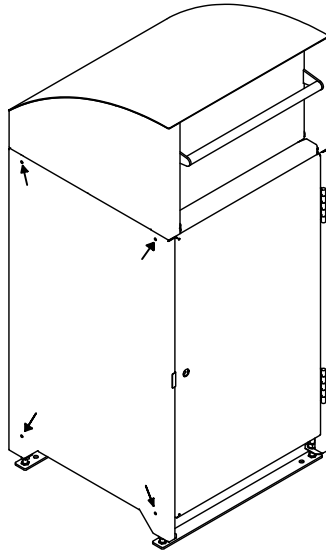
800 Series Multi-bay feature

Each 800 Series bay provides four mounting holes on each of the side panels to fix multiple bays side by side.

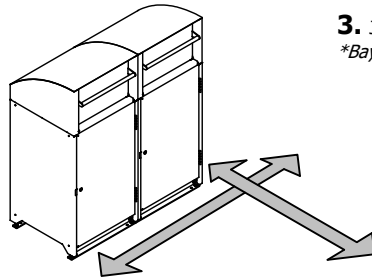
(shipped as single bay for assembly onsite - fasteners supplied with every 800 series bin surround)

Multi-bay applications include:

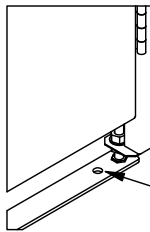
- extra capacity
- waste separation



4. Place bin surround(s) in desired final location (with regard to final positioning on slab using detail indicated on "leveling strap" diagram (bottom, right))

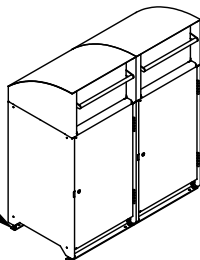


5. Using Leveling Strap mounting holes as a template, drill ground surface to suit chosen ground anchors then fit ground anchors.



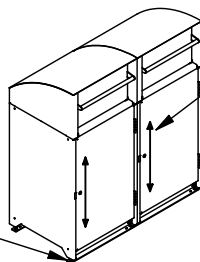
Drill ground anchor holes through leveling strap mounting holes

6. Once the leveling straps are fixed to the surface, adjust the leveling nuts while the locking nuts are loose to level the end opposite the door. Ensure adjustment is locked down using lock nuts.
(Loose lock nuts may provide a false level)



Adjust leveling straps opposite doors first

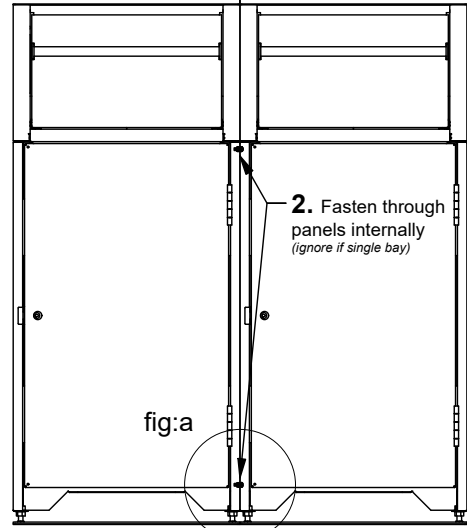
7. Level the door side so that the whole surround is level and the door gaps are parallel and even all around, and lock down after adjustment.



Adjust leveling straps under doors

8. Recheck all levels and door gaps and retighten lock nuts on leveling straps.

1. Bring Bays together



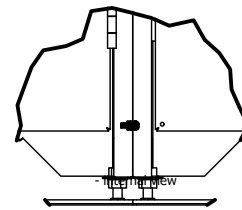
2. Fasten through panels internally (ignore if single bay)

fig:a

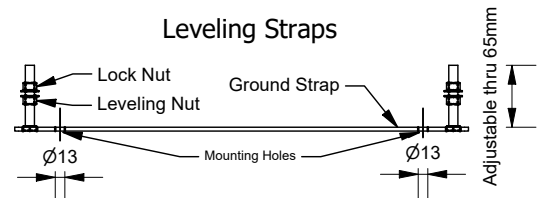
3. Join as many bays together as needed. (ignore if single bay)

*Bay openings can be configured in any order and can face the front or the back

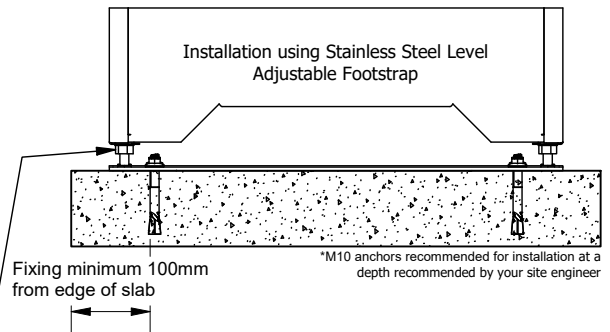
fig:a



Leveling Straps

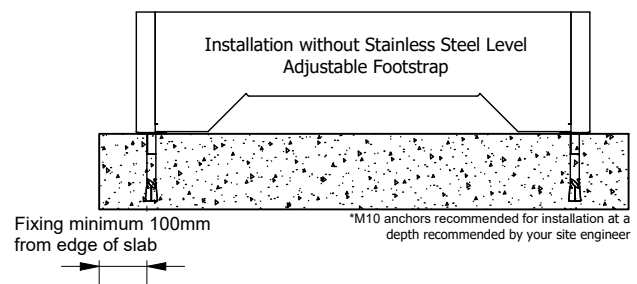


Installation using Stainless Steel Level Adjustable Footstrap



*M10 anchors recommended for installation at a depth recommended by your site engineer

Installation without Stainless Steel Level Adjustable Footstrap



Fixing minimum 100mm from edge of slab

*M10 anchors recommended for installation at a depth recommended by your site engineer