

Hub 120lt Bin Surround

Model 1811 - Hub Sloped 120lt Bin Surround

DRAFFIN
Street Furniture



The Hub Sloped Cover Bin Surround is the culmination of all the best and most innovative features from all bin surrounds at Draffin Street Furniture. Hub has a strengthened monocoque design, guided rubbish chute and a solid base both for easy surface mounting and ensuring waste stays inside the enclosure.

Size

- 120lt

Cover Style

- Sloped Cover

Opening

- Frogmouth
- Round Recycle
- Recycle Frogmouth

Panel Material

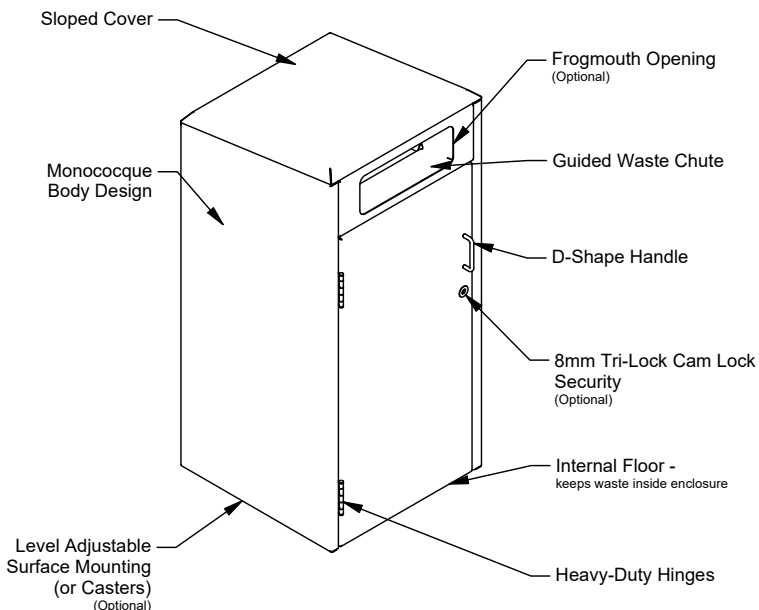
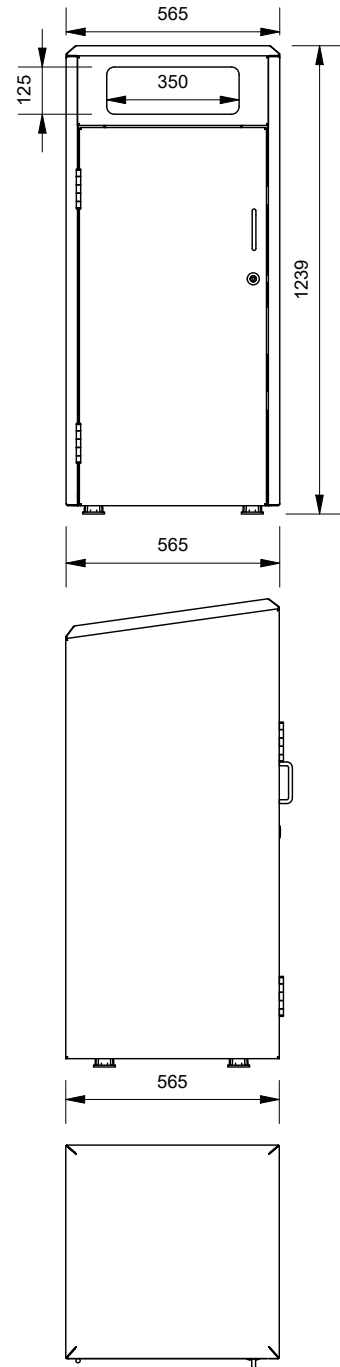
- Powdercoated Mild Steel ([See Colour Guide](#))
- 304 Stainless Steel
- 316 Stainless Steel

Lock Options

- Slam Lock
- Cam Lock
- Magnetic Latch
- Slam Lock & Mag Latch
- Cam Lock & Mag Latch

Other Options

- Casters (*Replaces Level Adjustable Feet*)
- Ashtray Module
- Dog Bag Dispenser
- Perforations ([See Perforation Guide](#))
- Laser Cut Logos
- Logo Backing Plates
- Alternate Colour Powdercoated Opening
- Communication Signage ([See Signage Guide](#))



More information:
Go to the website for spec inspiration.

Model 1811 - Hub Sloped 120lt Bin Surround
<https://draffin.com.au/product/hub-sloped-cover-bin-surround/>

[Colour and Plinth Guide](https://draffin.com.au/colour-guide/)

[Signage Guide](https://draffin.com.au/signage-guide/)

[Standard Perforation Patterns](https://draffin.com.au/perforation-patterns/)

[Stainless Steel Guide](https://draffin.com.au/stainless-steel-guide/)

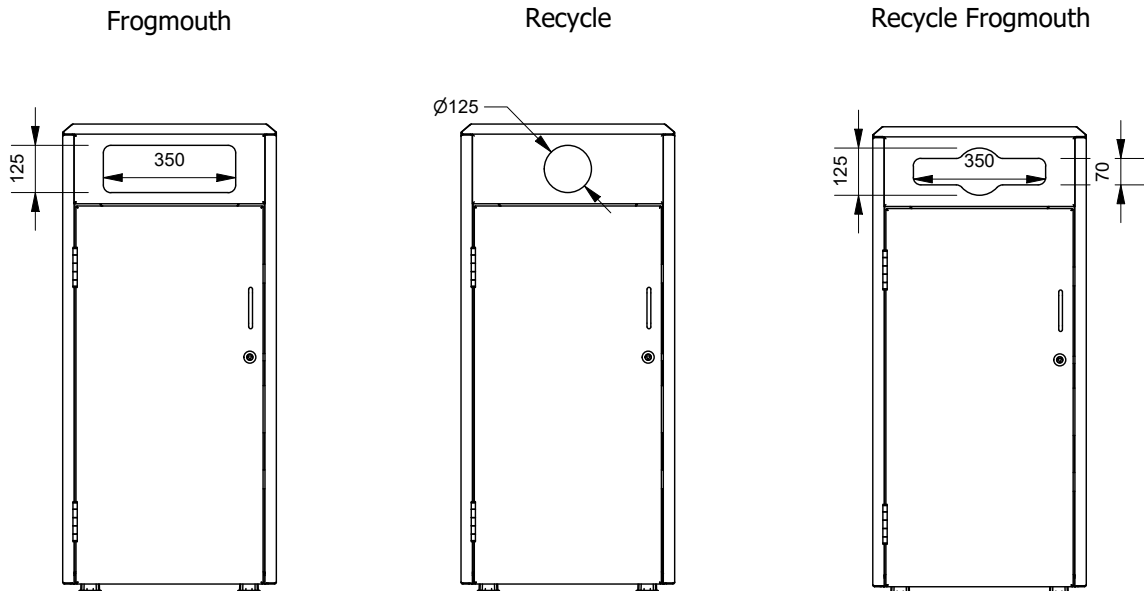
Hub 120lt Bin Surround

Model 1811 - Hub Sloped 120lt Bin Surround

DRAFFIN
Street Furniture



120lt Sloped Cover Openings



Installation

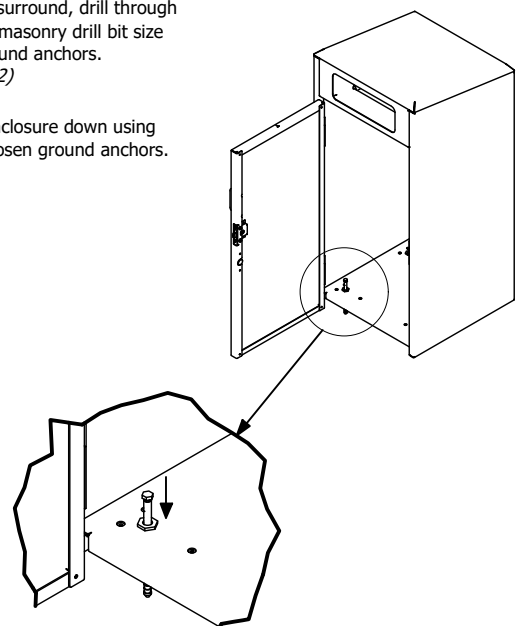
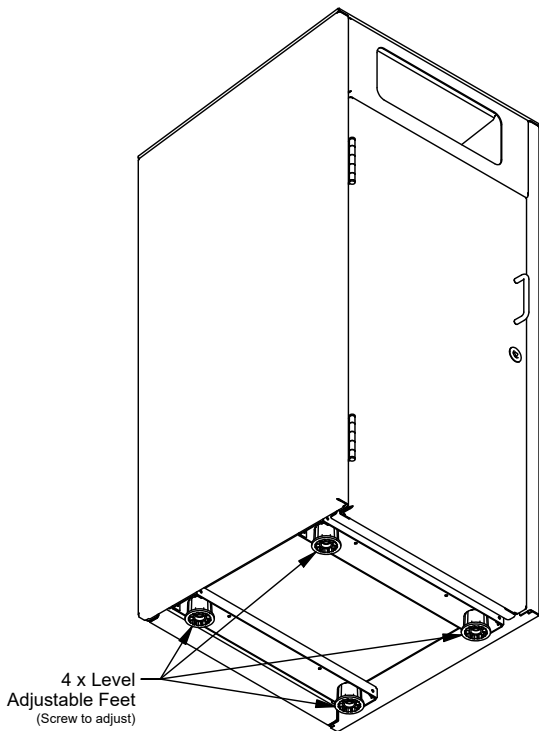
1. Place bin surround at intended position on concrete surface. (Recommended min. slab depth: 100mm. Ensure feet no closer to the edge of slab than 100mm)

2. Using the level adjustable feet, screw to adjust the level of the bin surround so the upright panels are plumb. *TIP: Adjust the rear feet before the front.*

3. Ensure the bin is stable once leveled.

4. Open the door of the bin surround, drill through foot provision into slab using masonry drill bit size recommended for chosen ground anchors. (Max ground anchor size: M12)

5. Clear holes, and fasten enclosure down using recommended method for chosen ground anchors.



Hub 240lt Bin Surround

Model 1821 - Hub Sloped 240lt Bin Surround

DRAFFIN
Street Furniture



The Hub Sloped Cover Bin Surround is the culmination of all the best and most innovative features from all bin surrounds at Draffin Street Furniture. Hub has a strengthened monocoque design, guided rubbish chute and a solid base both for easy surface mounting and ensuring waste stays inside the enclosure.

Size

- 240lt

Cover Style

- Sloped Cover

Opening

- Frogmouth
- Round Recycle
- Recycle Frogmouth

Panel Material

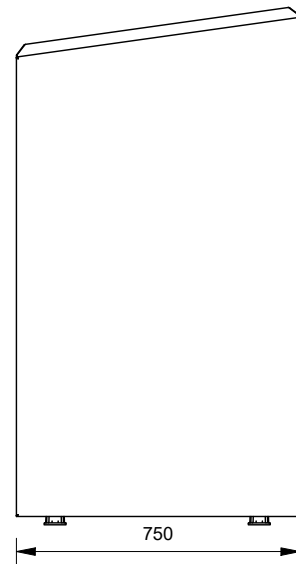
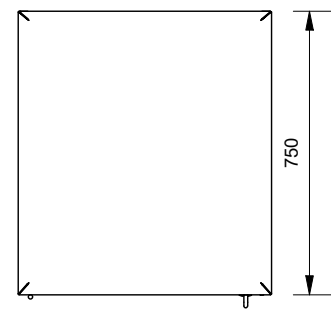
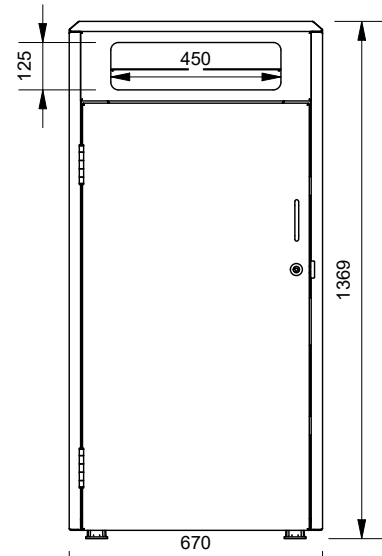
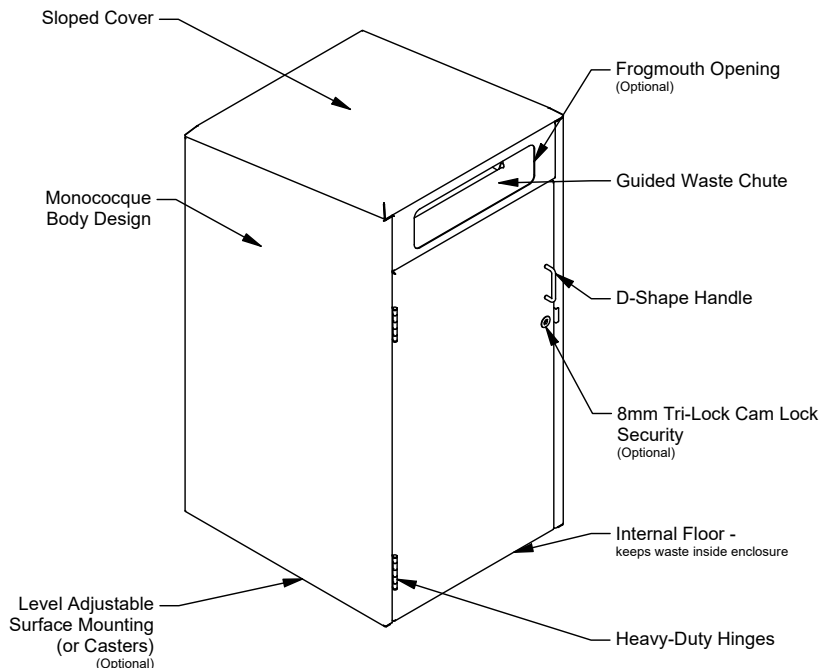
- Powdercoated Mild Steel ([See Colour Guide](#))
- 304 Stainless Steel
- 316 Stainless Steel

Lock Options

- Slam Lock
- Cam Lock
- Magnetic Latch
- Slam Lock & Mag Latch
- Cam Lock & Mag Latch

Other Options

- Casters (*Replaces Level Adjustable Feet*)
- Ashtray Module
- Dog Bag Dispenser
- Perforations ([See Perforation Guide](#))
- Laser Cut Logos
- Logo Backing Plates
- Alternate Colour Powdercoated Opening
- Communication Signage ([See Signage Guide](#))



More information:
Go to the website for spec inspiration.

Model 1821 - Hub Sloped 240lt Bin Surround
<https://draffin.com.au/product/hub-sloped-cover-bin-surround/>

Colour and Plinth Guide
<https://draffin.com.au/colour-guide/>

Signage Guide
<https://draffin.com.au/signage-guide/>

Standard Perforation Patterns
<https://draffin.com.au/perforation-patterns/>

Stainless Steel Guide
<https://draffin.com.au/stainless-steel-guide/>

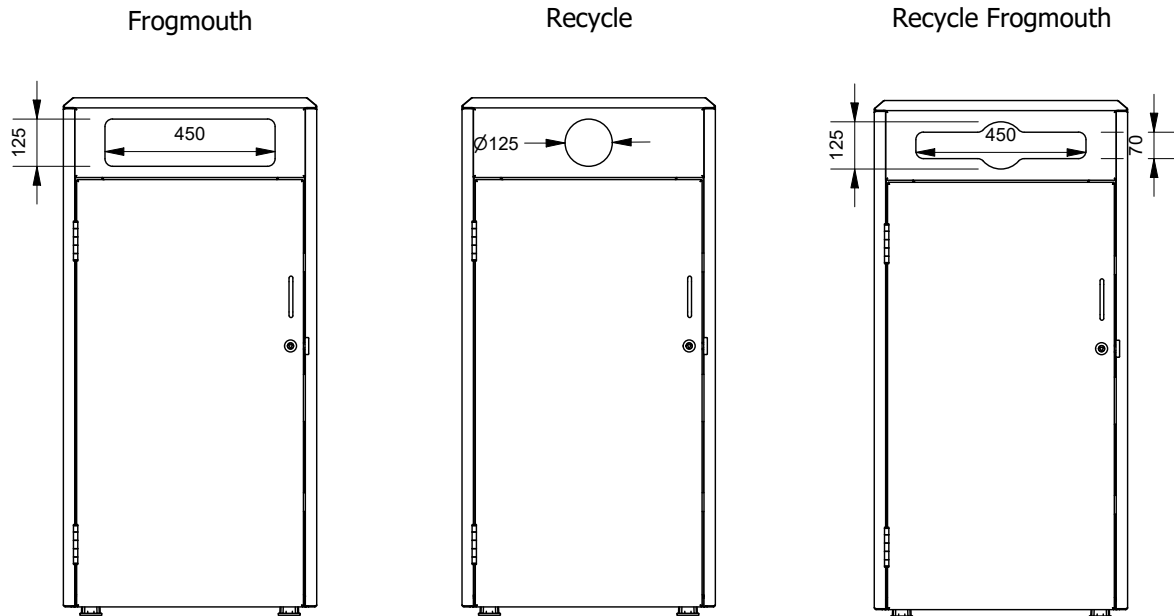
Hub 240lt Bin Surround

Model 1821 - Hub Sloped 240lt Bin Surround

DRAFFIN
Street Furniture



240lt Sloped Cover Openings



Installation

1. Place bin surround at intended position on concrete surface. (Recommended min. slab depth: 100mm. Ensure feet no closer to the edge of slab than 100mm)

2. Using the level adjustable feet, screw to adjust the level of the bin surround so the upright panels are plumb. *TIP: Adjust the rear feet before the front.*

3. Ensure the bin is stable once leveled.

4. Open the door of the bin surround, drill through foot provision into slab using masonry drill bit size recommended for chosen ground anchors. (Max ground anchor size: M12)

5. Clear holes, and fasten enclosure down using recommended method for chosen ground anchors.

