

# Hub 120lt Bin Surround

Model 1813 - Hub Flat Canopy 120lt Bin Surround (Front Opening)

Model 1814 - Hub Flat Canopy 120lt Bin Surround (Front/Rear Opening)

**DRAFFIN**  
Street Furniture



The Hub Flat Canopy Bin Surround has innovative features derived from all bin surrounds at Draffin Street Furniture. The Flat Canopy version can be specified with front and/or rear openings. Hub has a strengthened monocoque design, guided rubbish chutes and a solid base both for easy surface mounting and ensuring waste stays inside the enclosure.

## Size

- 120lt

## Cover Style

- Flat Canopy Front Opening
- Flat Canopy Front & Rear Opening

## Opening

- Frogmouth
- Round Recycle
- Recycle Frogmouth

## Panel Material

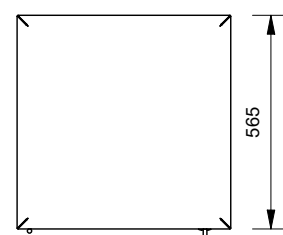
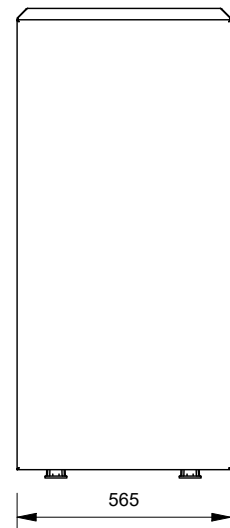
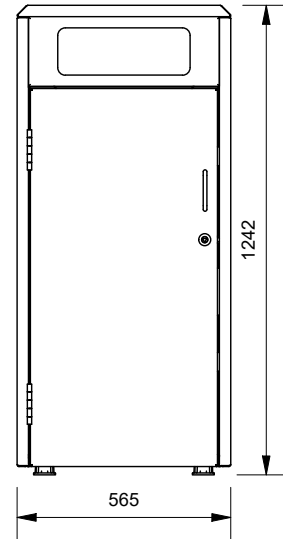
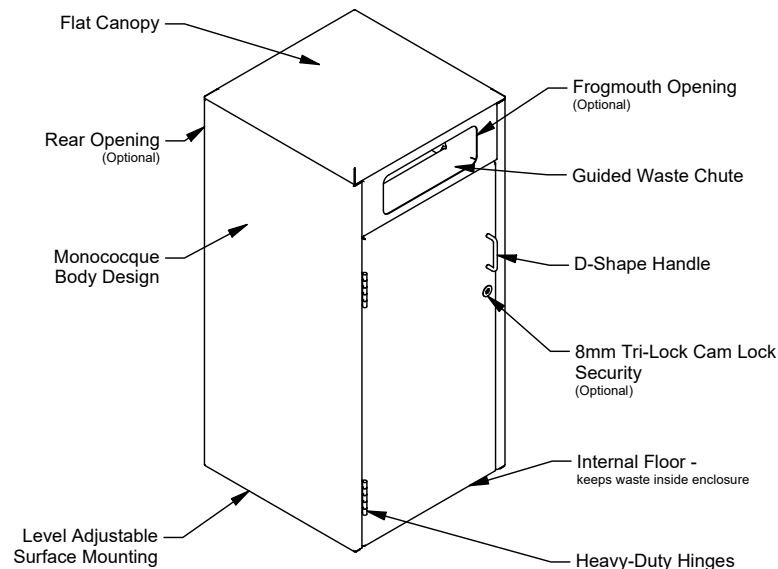
- Powdercoated Mild Steel ([See Colour Guide](#))
- 304 Stainless Steel
- 316 Stainless Steel

## Lock Options

- Slam Lock
- Cam Lock
- Magnetic Latch
- Slam Lock & Mag Latch
- Cam Lock & Mag Latch

## Other Options

- Casters (*Replaces Level Adjustable Feet*)
- Ashtray Module
- Dog Bag Dispenser
- Perforations ([See Perforation Guide](#))
- Laser Cut Logos
- Logo Backing Plates
- Alternate Colour Powdercoated Openings
- Communication Signage ([See Signage Guide](#))



More information:  
Go to the website for spec inspiration.

**1813 - Hub Flat Canopy 120lt Bin Surround (Front Opening)**  
**1814 - Hub Flat Canopy 120lt Bin Surround (Front/Rear Opening)**

<https://draffin.com.au/product/hub-flat-canopy-bin-surround/>

Colour and Plinth Guide  
<https://draffin.com.au/colour-guide/>

Signage Guide  
<https://draffin.com.au/signage-guide/>

Standard Perforation Patterns  
<https://draffin.com.au/perforation-patterns/>

Stainless Steel Guide  
<https://draffin.com.au/stainless-steel-guide/>

# Hub 120lt Bin Surround

Model 1813 - Hub Flat Canopy 120lt Bin Surround (Front Opening)  
Model 1814 - Hub Flat Canopy 120lt Bin Surround (Front/Rear Opening)

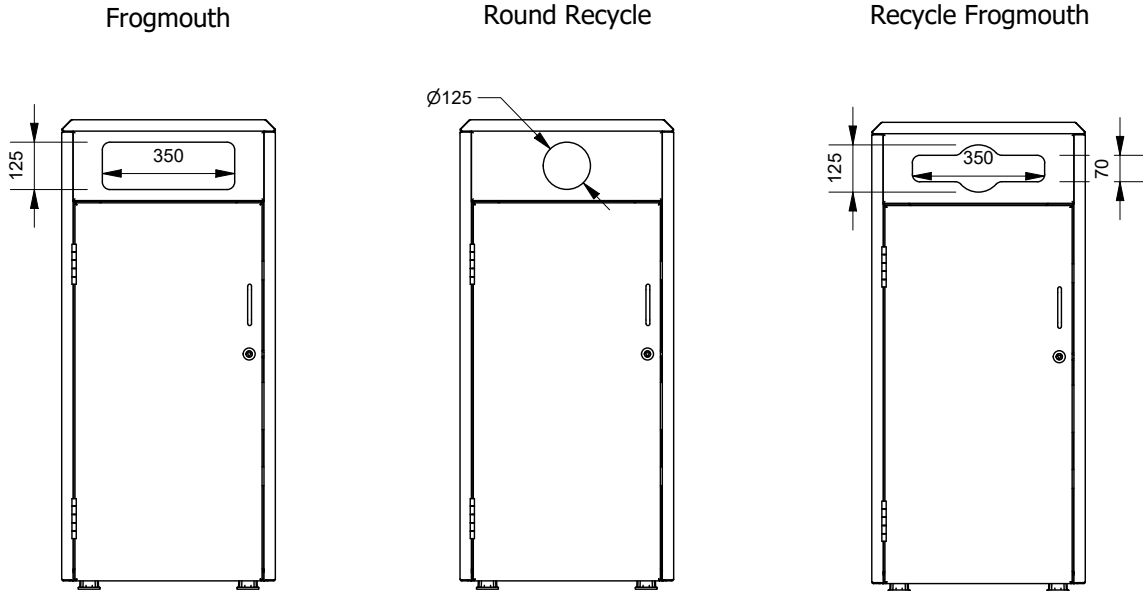
**DRAFFIN**

Street Furniture

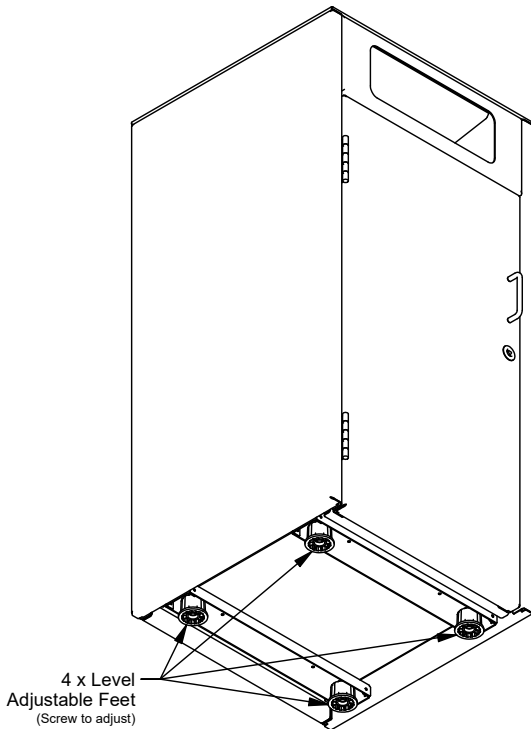


## 120lt Flat Canopy Openings

(Optional additional opening on rear)



## Installation



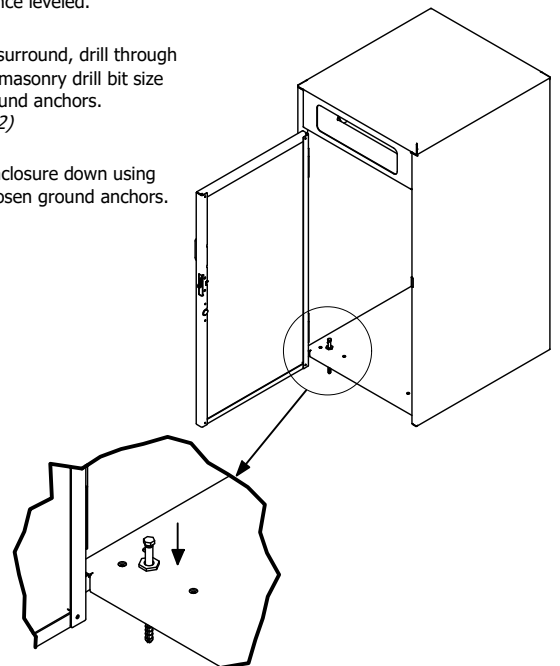
**1.** Place bin surround at intended position on concrete surface. (Recommended min. slab depth: 100mm. Ensure feet no closer to the edge of slab than 100mm)

**2.** Using the level adjustable feet, screw to adjust the level of the bin surround so the upright panels are plumb. *TIP: Adjust the rear feet before the front.*

**3.** Ensure the bin is stable once leveled.

**4.** Open the door of the bin surround, drill through foot provision into slab using masonry drill bit size recommended for chosen ground anchors. (Max ground anchor size: M12)

**5.** Clear holes, and fasten enclosure down using recommended method for chosen ground anchors.



# Hub 240lt Bin Surround

Model 1823 - Hub Flat Canopy 240lt Bin Surround (Front Opening)

Model 1824 - Hub Flat Canopy 240lt Bin Surround (Front/Rear Opening)

**DRAFFIN**  
Street Furniture



The Hub Flat Canopy Bin Surround has innovative features derived from all bin surrounds at Draffin Street Furniture. The Flat Canopy version can be specified with front and/or rear openings. Hub has a strengthened monocoque design, guided rubbish chutes and a solid base both for easy surface mounting and ensuring waste stays inside the enclosure.

## Size

- 240lt

## Cover Style

- Flat Canopy Front Opening
- Flat Canopy Front & Rear Opening

## Opening

- Frogmouth
- Round Recycle
- Recycle Frogmouth

## Panel Material

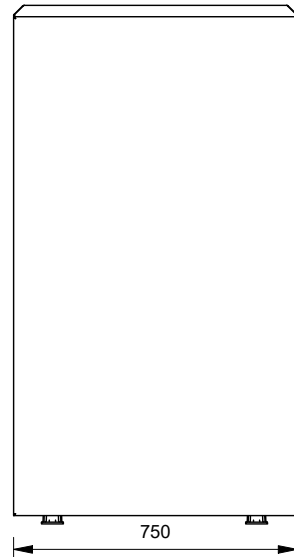
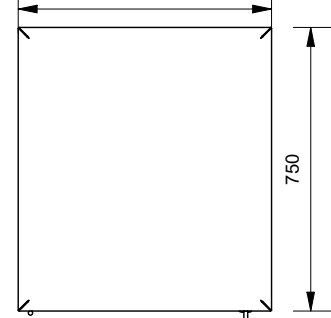
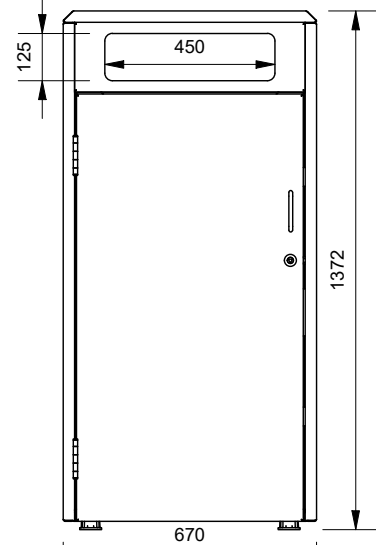
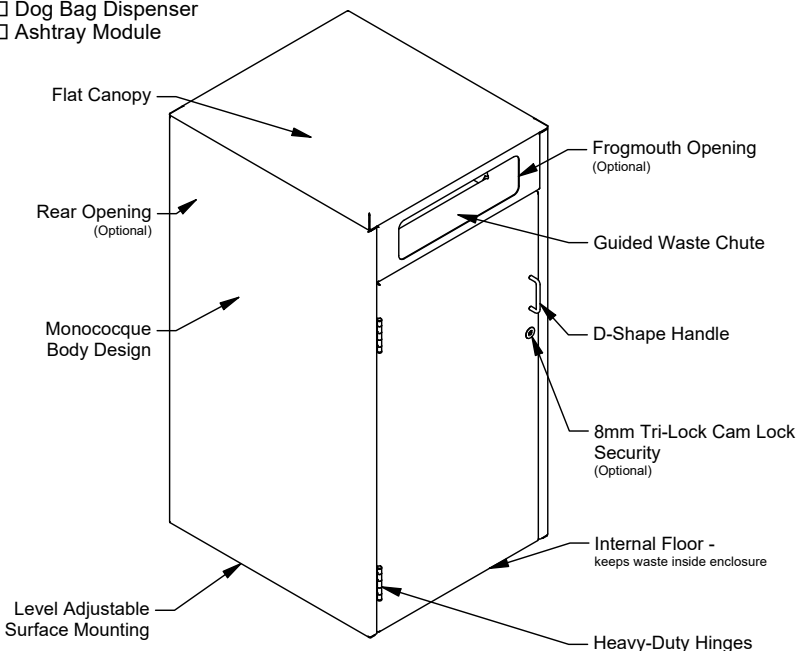
- Powdercoated Mild Steel ([See Colour Guide](#))
- 304 Stainless Steel
- 316 Stainless Steel

## Lock Options

- Slam Lock
- Cam Lock
- Magnetic Latch
- Slam Lock & Mag Latch
- Cam Lock & Mag Latch

## Other Options

- Casters (*Replaces Level Adjustable Feet*)
- Perforations ([See Perforation Guide](#))
- Alternate Colour Powdercoated Openings
- Communication Signage ([See Signage Guide](#))
- Laser Cut Logos
- Logo Backing Plates
- Dog Bag Dispenser
- Ashtray Module



More information:  
Go to the website for spec inspiration.

**Model 1823 - Hub Flat Canopy 240lt Bin Surround (Front Opening)**  
**Model 1824 - Hub Flat Canopy 240lt Bin Surround (Front/Rear Opening)**

<https://draffin.com.au/product/hub-flat-canopy-bin-surround/>

Colour and Plinth Guide  
<https://draffin.com.au/colour-guide/>

Signage Guide  
<https://draffin.com.au/signage-guide/>

Standard Perforation Patterns  
<https://draffin.com.au/perforation-patterns/>

Stainless Steel Guide  
<https://draffin.com.au/stainless-steel-guide/>

# Hub 240lt Bin Surround

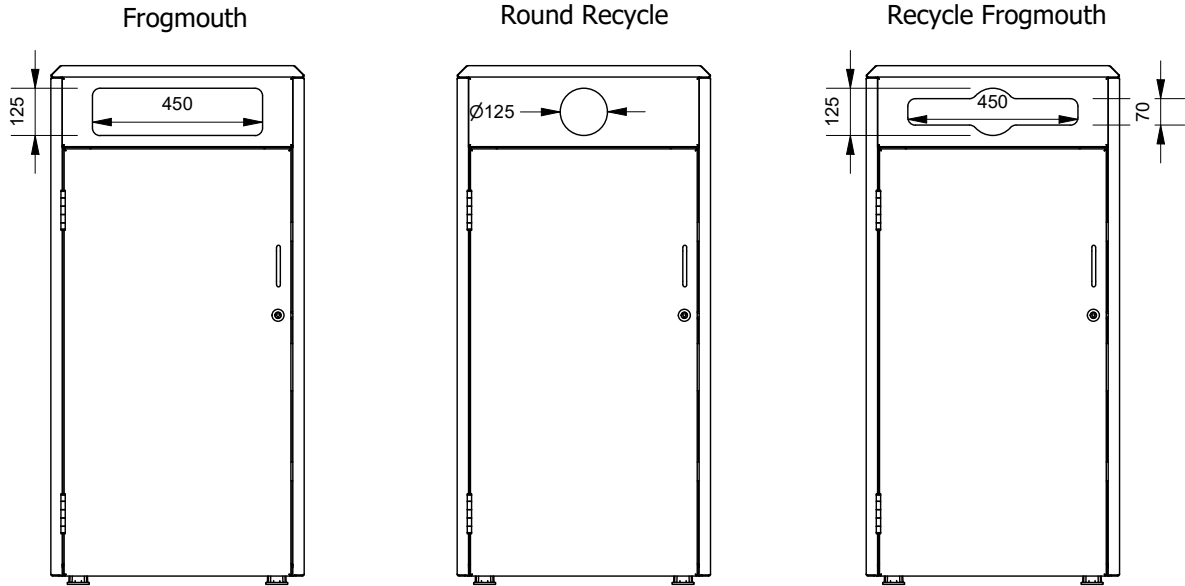
Model 1823 - Hub Flat Canopy 240lt Bin Surround (Front Opening)  
Model 1824 - Hub Flat Canopy 240lt Bin Surround (Front/Rear Opening)

**DRAFFIN**  
Street Furniture



## 240lt Flat Canopy Openings

(Optional additional opening on rear)



## Installation

**1.** Place bin surround at intended position on concrete surface. (Recommended min. slab depth: 100mm. Ensure feet no closer to the edge of slab than 100mm)

**2.** Using the level adjustable feet, screw to adjust the level of the bin surround so the upright panels are plumb. *TIP: Adjust the rear feet before the front.*

**3.** Ensure the bin is stable once leveled.

**4.** Open the door of the bin surround, drill through foot provision into slab using masonry drill bit size recommended for chosen ground anchors. (Max ground anchor size: M12)

**5.** Clear holes, and fasten enclosure down using recommended method for chosen ground anchors.

