

# Hub 120lt Bin Surround

Model 1812 - Hub 120lt Bin Surround with Sign

**DRAFFIN**  
Street Furniture



The Hub Bin Surround with Sign has an integrated sign panel, forward sloped roof, plus all the best features from every other bin surround from Draffin Street Furniture. Hub has a strengthened monocoque design, guided rubbish chutes and a solid base both for easy surface mounting and ensuring waste stays inside the enclosure.

## Size

- 120lt

## Cover Style

- Front Sloped Cover with Sign

## Opening

- Frogmouth
- Round Recycle
- Recycle Frogmouth

## Panel Material

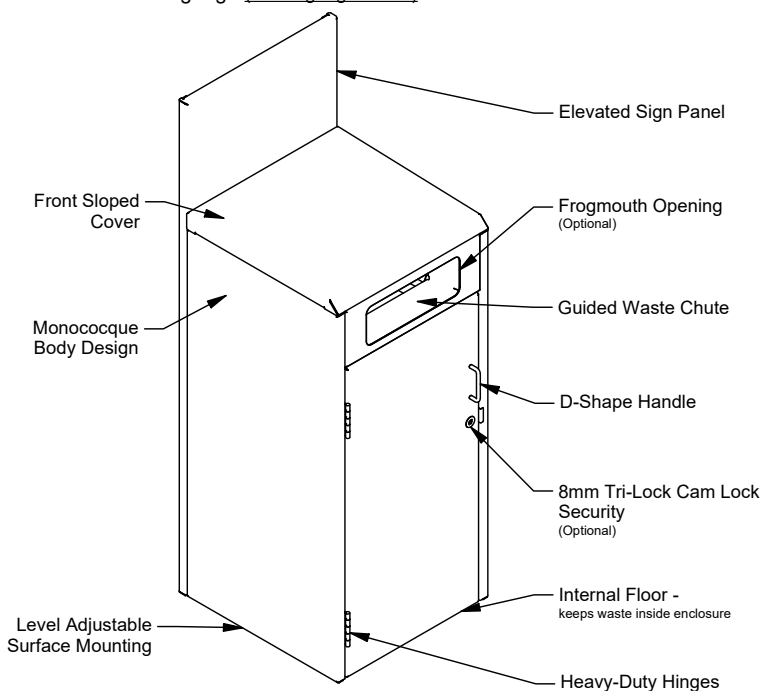
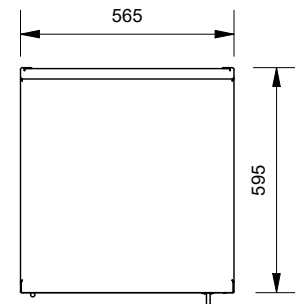
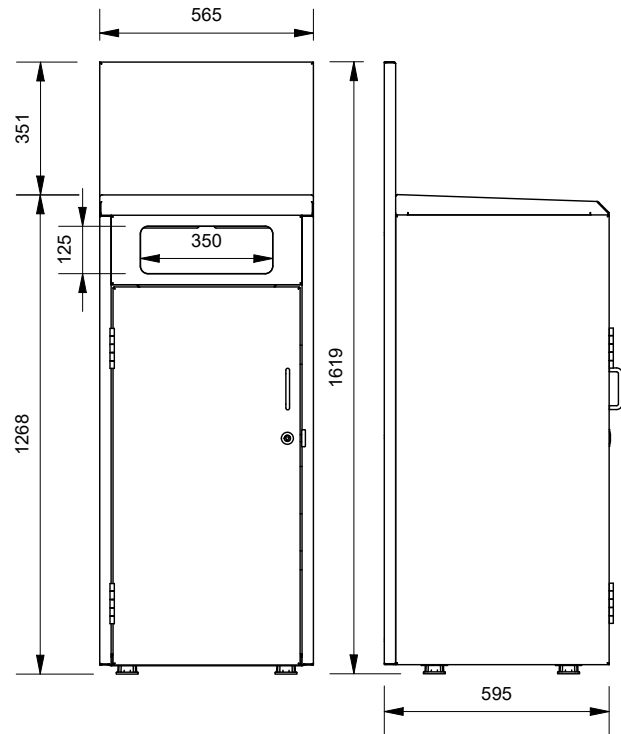
- Powdercoated Mild Steel ([See Colour Guide](#))
- 304 Stainless Steel
- 316 Stainless Steel

## Lock Options

- Cam Lock
- Magnetic Latch
- Both

## Other Options

- Casters (*Replaces Level Adjustable Feet*)
- Ashtray Module
- Dog Bag Dispenser
- Perforations ([See Perforation Guide](#))
- Laser Cut Logos
- Logo Backing Plates
- Alternate Colour Powdercoated Openings
- Communication Signage ([See Signage Guide](#))



More information:  
Go to the website for spec inspiration.

**Model 1812 - Hub 120lt Bin Surround with Sign**  
<https://draffin.com.au/product/hub-bin-surround-with-sign/>

Colour and Plinth Guide  
<https://draffin.com.au/colour-guide/>

Signage Guide  
<https://draffin.com.au/signage-guide/>

Standard Perforation Patterns  
<https://draffin.com.au/perforation-patterns/>

Stainless Steel Guide  
<https://draffin.com.au/stainless-steel-guide/>

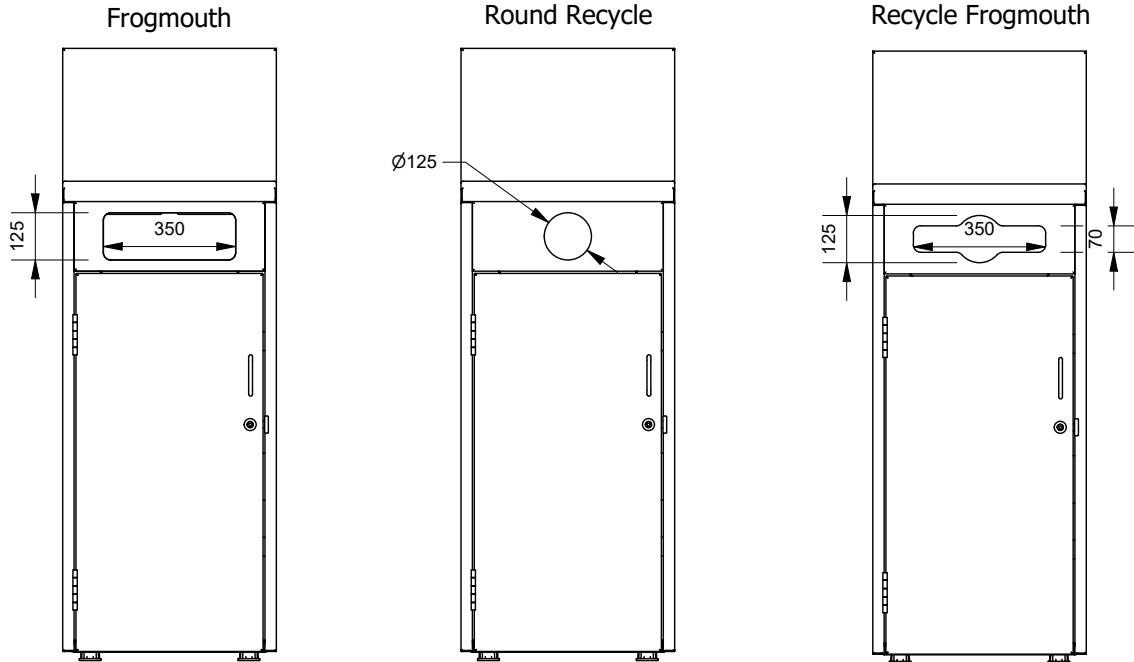
# Hub 120lt Bin Surround

Model 1812 - Hub 120lt Bin Surround with Sign

**DRAFFIN**  
Street Furniture



## 120lt Front Openings



## Installation

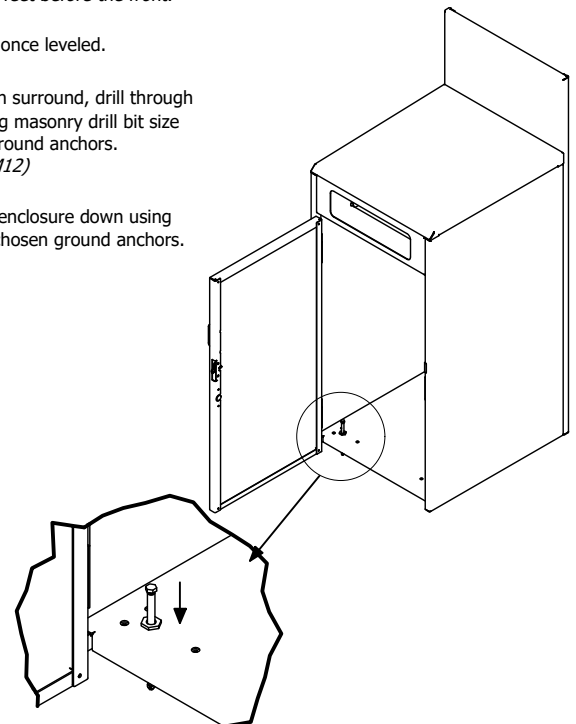
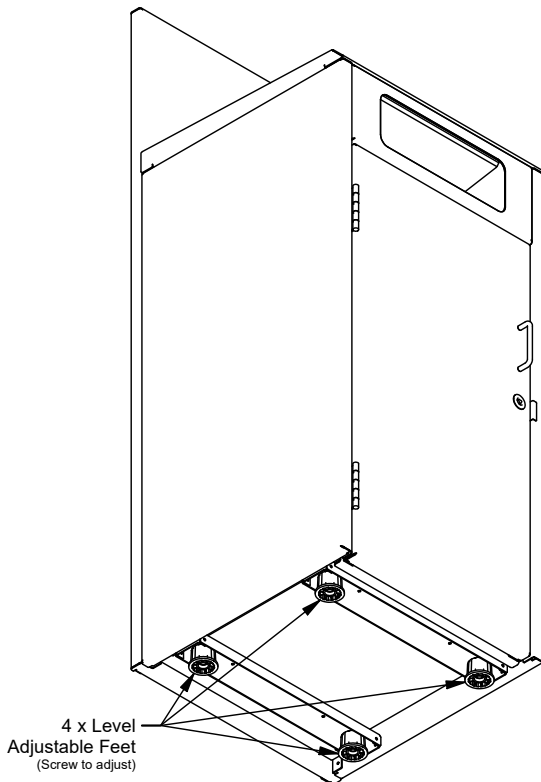
**1.** Place bin surround at intended position on concrete surface. (Recommended min. slab depth: 100mm. Ensure feet no closer to the edge of slab than 100mm)

**2.** Using the level adjustable feet, screw to adjust the level of the bin surround so the upright panels are plumb. *TIP: Adjust the rear feet before the front.*

**3.** Ensure the bin is stable once leveled.

**4.** Open the door of the bin surround, drill through foot provision into slab using masonry drill bit size recommended for chosen ground anchors. (Max ground anchor size: M12)

**5.** Clear holes, and fasten enclosure down using recommended method for chosen ground anchors.



# Hub 240lt Bin Surround

Model 1822 - Hub 240lt Bin Surround with Sign

**DRAFFIN**  
Street Furniture



The Hub Bin Surround with Sign has an integrated sign panel, forward sloped roof, plus all the best features from every other bin surround from Draffin Street Furniture. Hub has a strengthened monocoque design, guided rubbish chutes and a solid base both for easy surface mounting and ensuring waste stays inside the enclosure.

## Size

- 240lt

## Cover Style

- Flat Canopy Front Opening
- Flat Canopy Front & Rear Opening

## Opening

- Frogmouth
- Round Recycle
- Recycle Frogmouth

## Panel Material

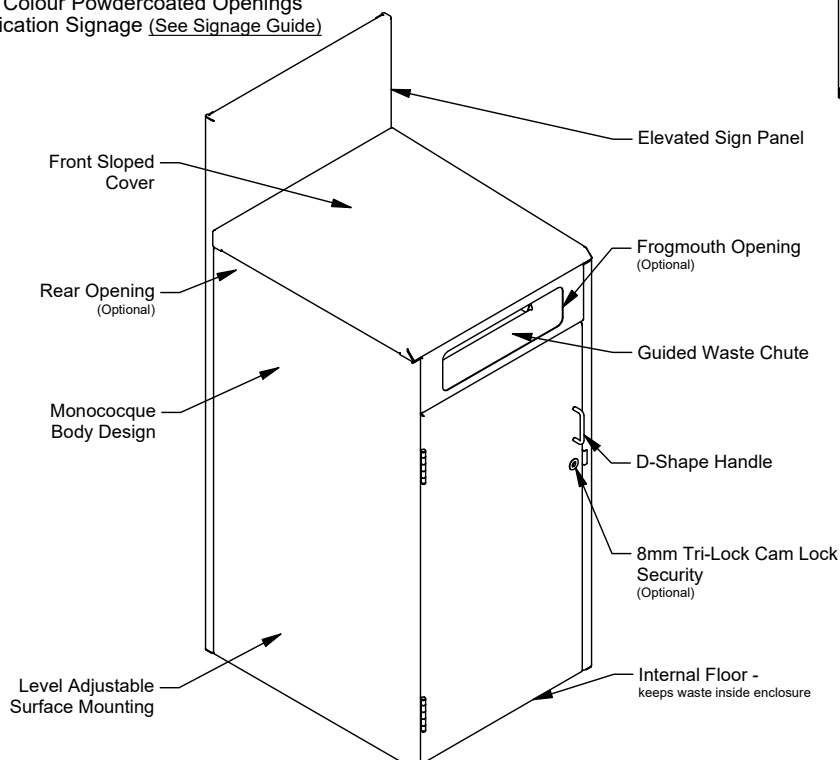
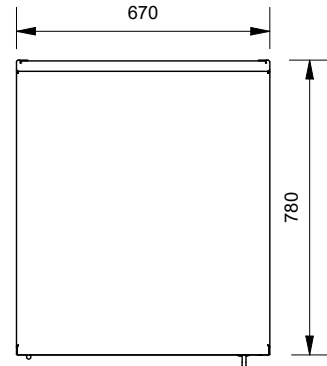
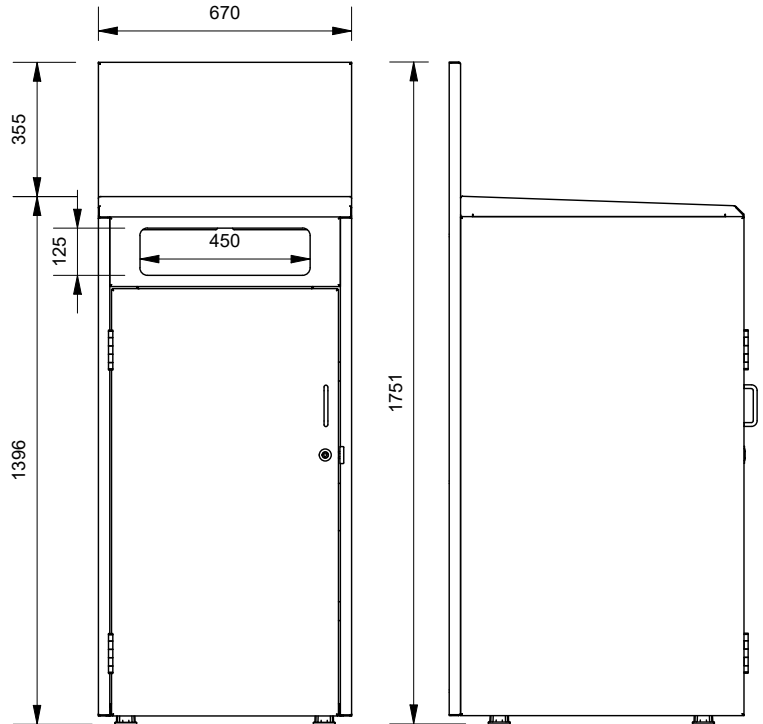
- Powdercoated Mild Steel ([See Colour Guide](#))
- 304 Stainless Steel
- 316 Stainless Steel

## Lock Options

- Cam Lock
- Magnetic Latch
- Both

## Other Options

- Casters (*Replaces Level Adjustable Feet*)
- Ashtray Module
- Dog Bag Dispenser
- Perforations ([See Perforation Guide](#))
- Laser Cut Logos
- Logo Backing Plates
- Alternate Colour Powdercoated Openings
- Communication Signage ([See Signage Guide](#))



More information:  
Go to the website for spec inspiration.

**Model 1822 - Hub 240lt Bin Surround with Sign**  
<https://draffin.com.au/product/hub-bin-surround-with-sign/>

Colour and Plinth Guide  
<https://draffin.com.au/colour-guide/>

Signage Guide  
<https://draffin.com.au/signage-guide/>

Standard Perforation Patterns  
<https://draffin.com.au/perforation-patterns/>

Stainless Steel Guide  
<https://draffin.com.au/stainless-steel-guide/>

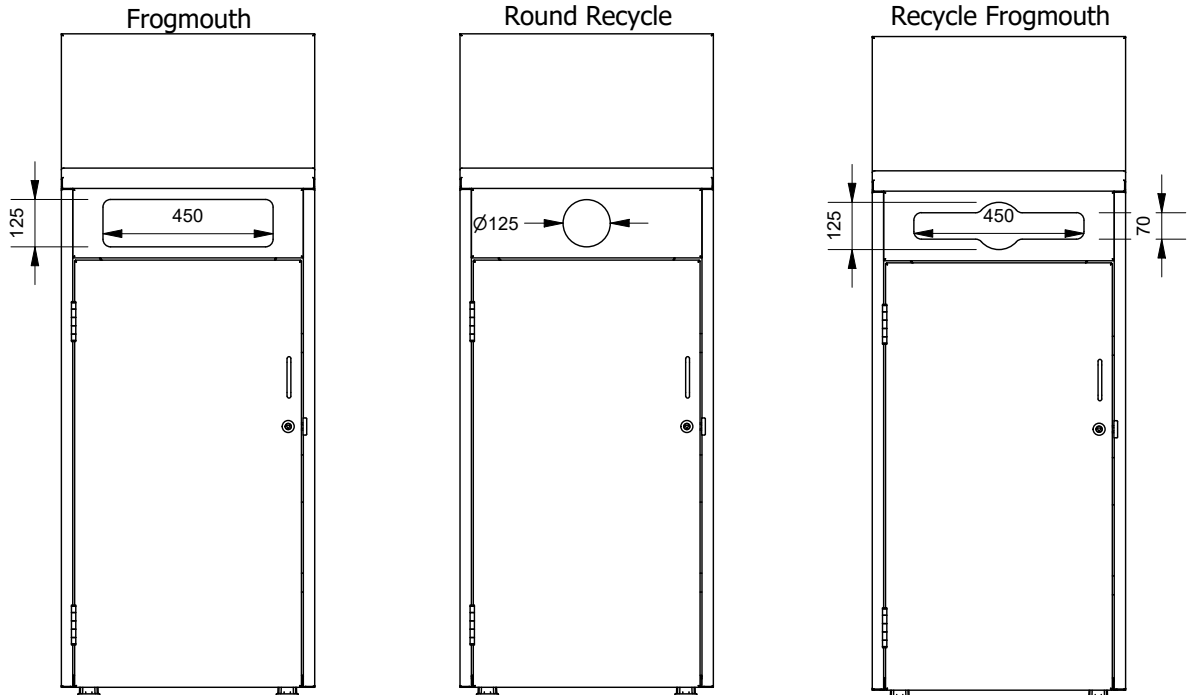
# Hub 240lt Bin Surround

Model 1822 - Hub 240lt Bin Surround with Sign

**DRAFFIN**  
Street Furniture



## 240lt Front Openings



## Installation

**1.** Place bin surround at intended position on concrete surface. (Recommended min. slab depth: 100mm. Ensure feet no closer to the edge of slab than 100mm)

**2.** Using the level adjustable feet, screw to adjust the level of the bin surround so the upright panels are plumb. *TIP: Adjust the rear feet before the front.*

**3.** Ensure the bin is stable once leveled.

**4.** Open the door of the bin surround, drill through foot provision into slab using masonry drill bit size recommended for chosen ground anchors. (Max ground anchor size: M12)

**5.** Clear holes, and fasten enclosure down using recommended method for chosen ground anchors.

