

# Hub 120lt Bin Surround

Model 1811 - Hub Sloped 120lt Bin Surround

**DRAFFIN**  
Street Furniture



The Hub Sloped Cover Bin Surround is the culmination of all the best and most innovative features from all bin surrounds at Draffin Street Furniture. Hub has a strengthened monocoque design, guided rubbish chute and a solid base both for easy surface mounting and ensuring waste stays inside the enclosure.

## Size

- 120lt

## Cover Style

- Sloped Cover

## Opening

- Frogmouth
- Round Recycle
- Recycle Frogmouth

## Panel Material

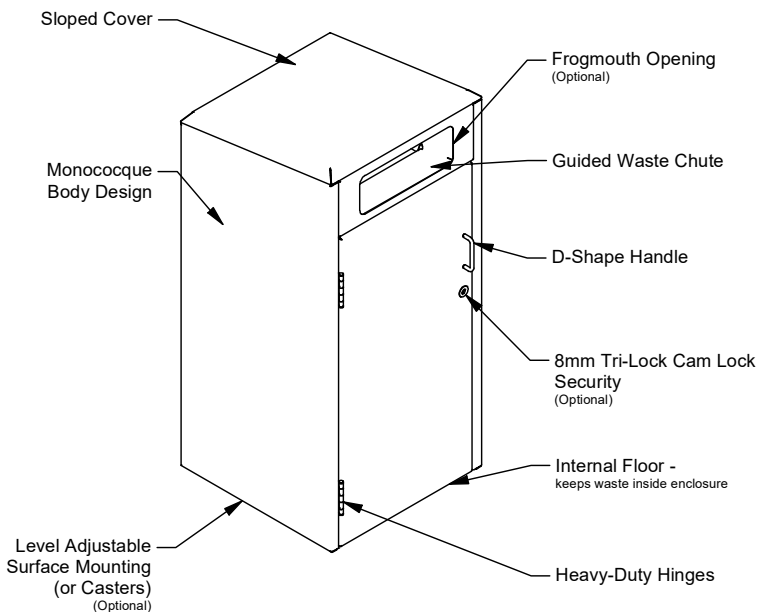
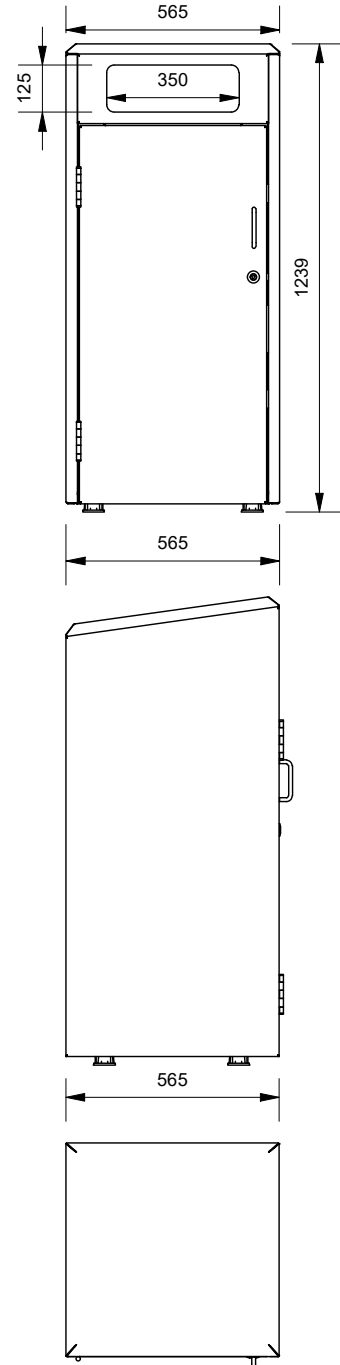
- Powdercoated Mild Steel ([See Colour Guide](#))
- 304 Stainless Steel
- 316 Stainless Steel

## Lock Options

- Cam Lock
- Magnetic Latch
- Both

## Other Options

- Casters (*Replaces Level Adjustable Feet*)
- Ashtray Module
- Dog Bag Dispenser
- Perforations ([See Perforation Guide](#))
- Laser Cut Logos
- Logo Backing Plates
- Alternate Colour Powdercoated Opening
- Communication Signage ([See Signage Guide](#))



More information:  
Go to the website for spec inspiration.

**89279 - Hub Sloped Cover Bin Surround**  
<https://draffin.com.au/product/hub-sloped-cover-bin-surround/>

Colour and Plinth Guide  
<https://draffin.com.au/colour-guide/>

Signage Guide  
<https://draffin.com.au/signage-guide/>

Standard Perforation Patterns  
<https://draffin.com.au/perforation-patterns/>

Stainless Steel Guide  
<https://draffin.com.au/stainless-steel-guide/>

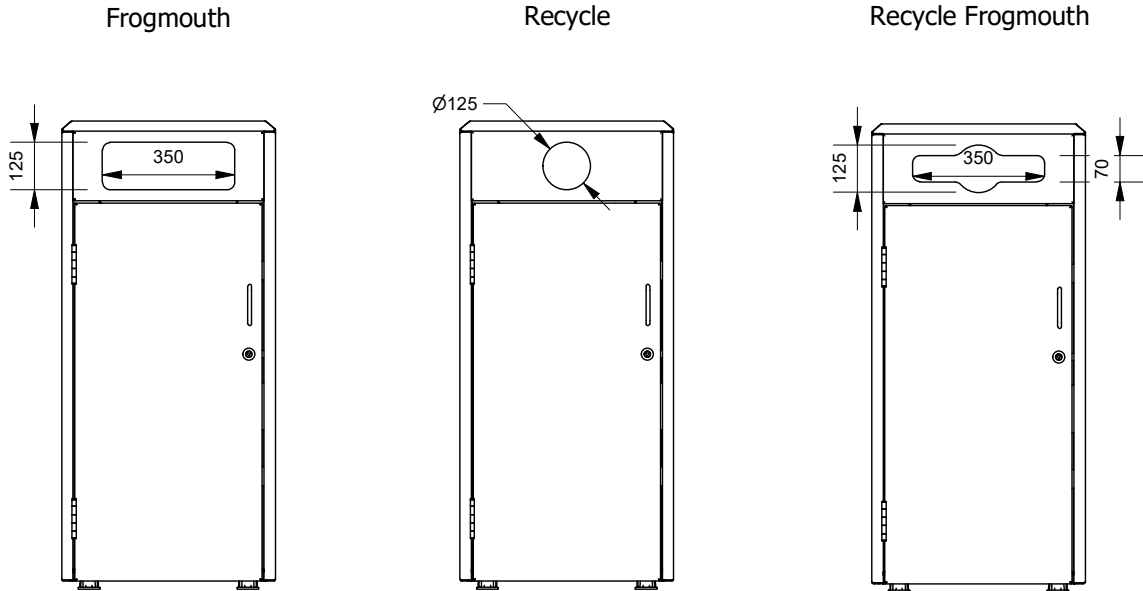
# Hub 120lt Bin Surround

Model 1811 - Hub Sloped 120lt Bin Surround

**DRAFFIN**  
Street Furniture



## 120lt Sloped Cover Openings



## Installation

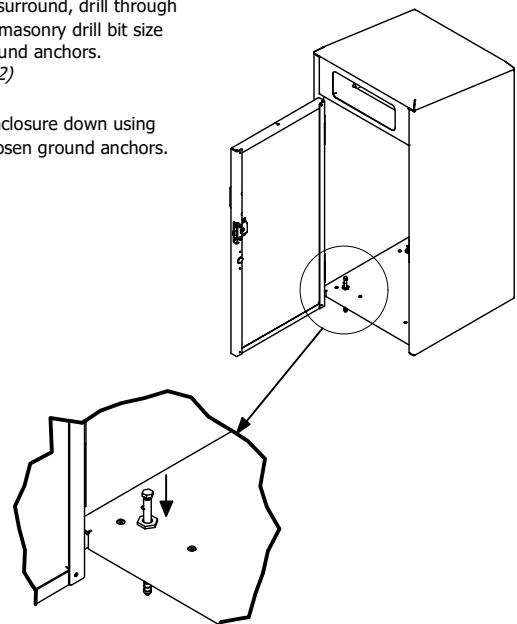
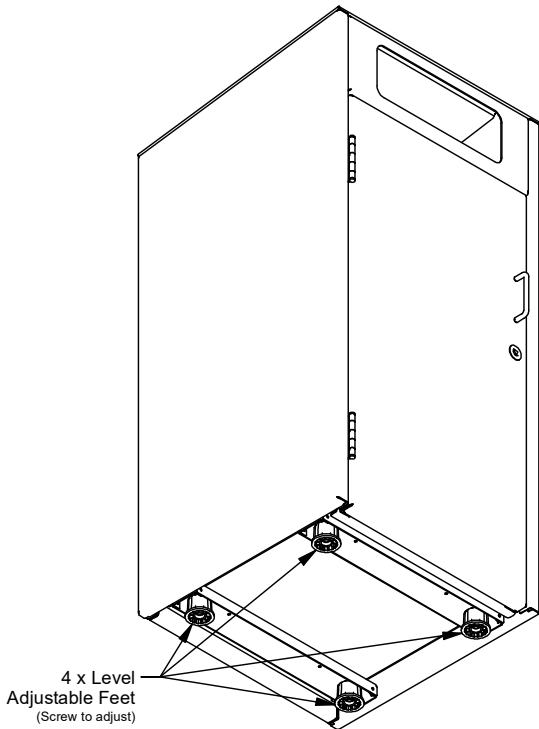
**1.** Place bin surround at intended position on concrete surface. (Recommended min. slab depth: 100mm. Ensure feet no closer to the edge of slab than 100mm)

**2.** Using the level adjustable feet, screw to adjust the level of the bin surround so the upright panels are plumb. *TIP: Adjust the rear feet before the front.*

**3.** Ensure the bin is stable once leveled.

**4.** Open the door of the bin surround, drill through foot provision into slab using masonry drill bit size recommended for chosen ground anchors. (Max ground anchor size: M12)

**5.** Clear holes, and fasten enclosure down using recommended method for chosen ground anchors.



# Hub 240lt Bin Surround

Model 1821 - Hub Sloped 240lt Bin Surround

**DRAFFIN**  
Street Furniture



The Hub Sloped Cover Bin Surround is the culmination of all the best and most innovative features from all bin surrounds at Draffin Street Furniture. Hub has a strengthened monocoque design, guided rubbish chute and a solid base both for easy surface mounting and ensuring waste stays inside the enclosure.

#### Size

- 240lt

#### Cover Style

- Sloped Cover

#### Opening

- Frogmouth
- Round Recycle
- Recycle Frogmouth

#### Panel Material

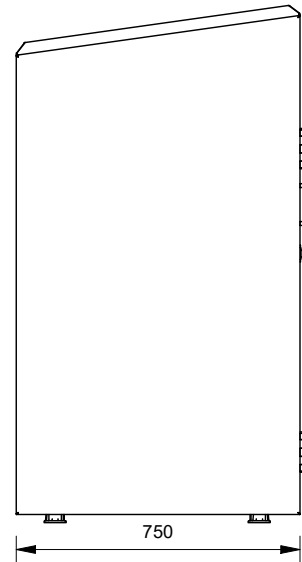
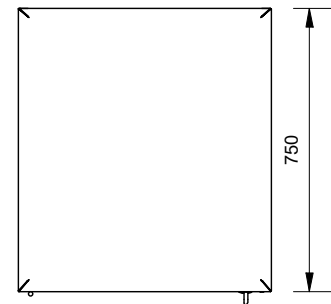
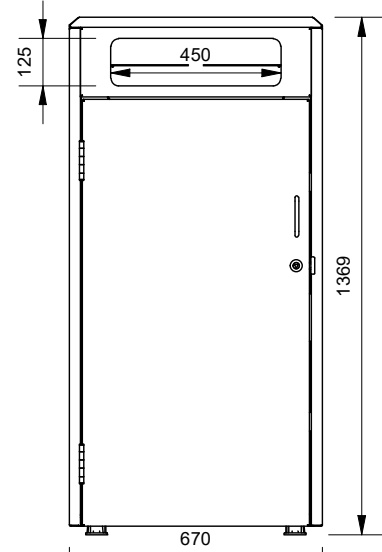
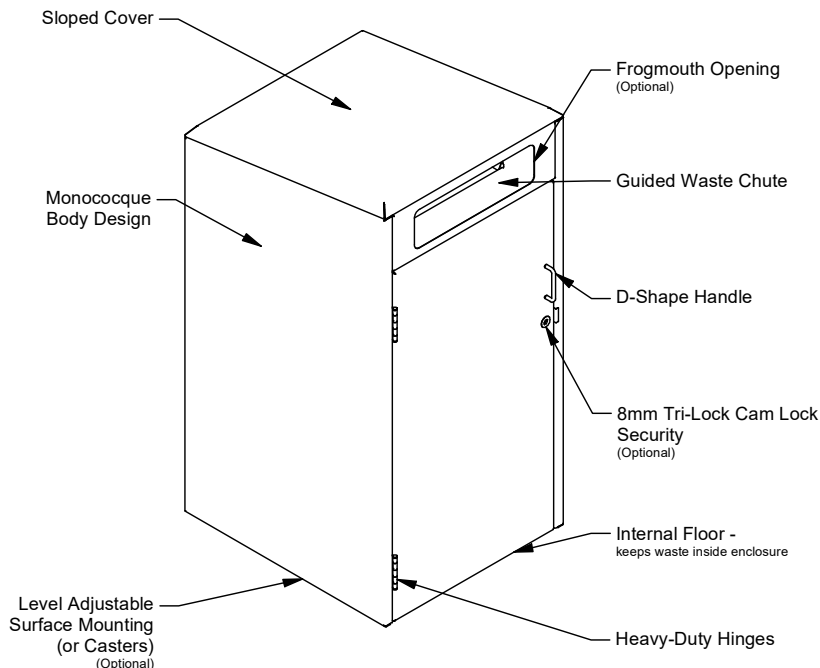
- Powdercoated Mild Steel (See Colour Guide)
- 304 Stainless Steel
- 316 Stainless Steel

#### Lock Options

- Cam Lock
- Magnetic Latch
- Both

#### Other Options

- Casters (Replaces Level Adjustable Feet)
- Ashtray Module
- Dog Bag Dispenser
- Perforations (See Perforation Guide)
- Laser Cut Logos
- Logo Backing Plates
- Alternate Colour Powdercoated Opening
- Communication Signage (See Signage Guide)



More information:  
Go to the website for spec inspiration.

**89279 - Hub Sloped Cover Bin Surround**  
<https://draffin.com.au/product/hub-sloped-cover-bin-surround/>

Colour and Plinth Guide  
<https://draffin.com.au/colour-guide/>

Signage Guide  
<https://draffin.com.au/signage-guide/>

Standard Perforation Patterns  
<https://draffin.com.au/perforation-patterns/>

Stainless Steel Guide  
<https://draffin.com.au/stainless-steel-guide/>

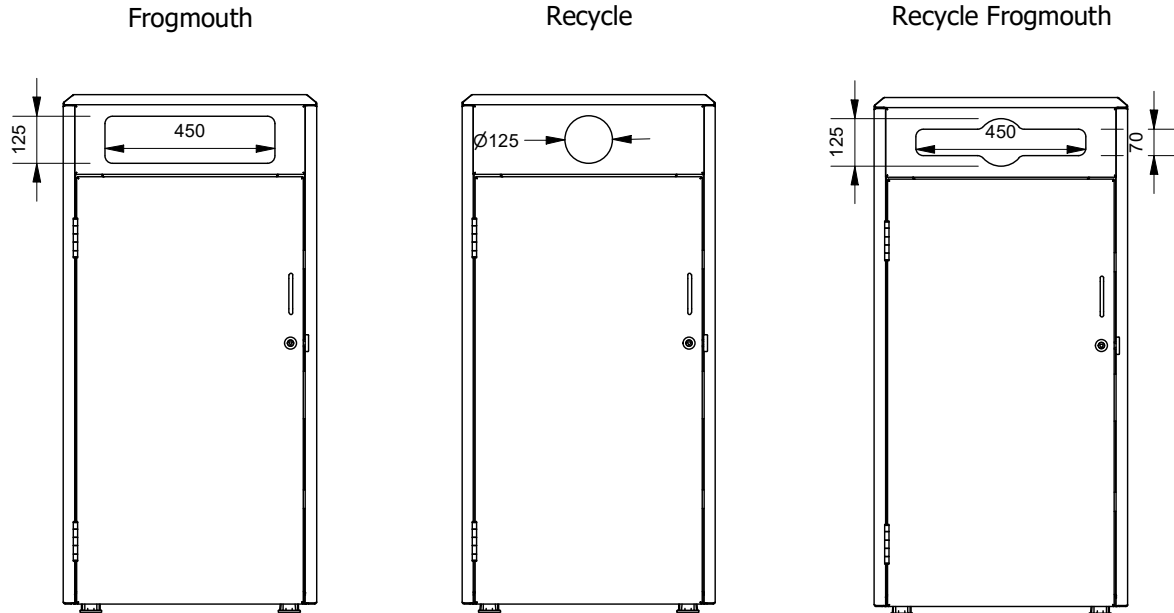
# Hub 240lt Bin Surround

Model 1821 - Hub Sloped 240lt Bin Surround

**DRAFFIN**  
Street Furniture



## 240lt Sloped Cover Openings



## Installation

**1.** Place bin surround at intended position on concrete surface. (Recommended min. slab depth: 100mm. Ensure feet no closer to the edge of slab than 100mm)

**2.** Using the level adjustable feet, screw to adjust the level of the bin surround so the upright panels are plumb. *TIP: Adjust the rear feet before the front.*

**3.** Ensure the bin is stable once leveled.

**4.** Open the door of the bin surround, drill through foot provision into slab using masonry drill bit size recommended for chosen ground anchors. (Max ground anchor size: M12)

**5.** Clear holes, and fasten enclosure down using recommended method for chosen ground anchors.

