

Hub 120lt Bin Surround

Model 1813 - Hub Flat Canopy 120lt Bin Surround (Front Opening)
Model 1814 - Hub Flat Canopy 120lt Bin Surround (Front/Rear Opening)

DRAFFIN
Street Furniture



The Hub Flat Canopy Bin Surround has innovative features derived from all bin surrounds at Draffin Street Furniture. The Flat Canopy version can be specified with front and/or rear openings. Hub has a strengthened monocoque design, guided rubbish chutes and a solid base both for easy surface mounting and ensuring waste stays inside the enclosure.

Size

- 120lt

Cover Style

- Flat Canopy Front Opening
- Flat Canopy Front & Rear Opening

Opening

- Frogmouth
- Round Recycle
- Recycle Frogmouth

Panel Material

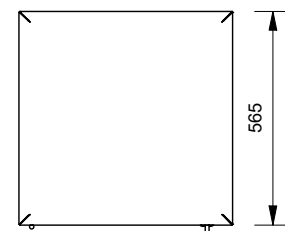
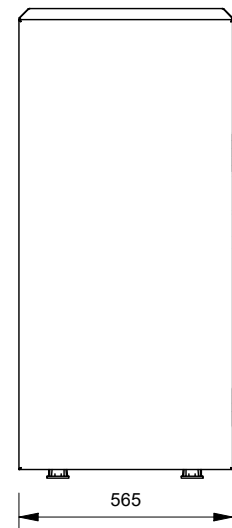
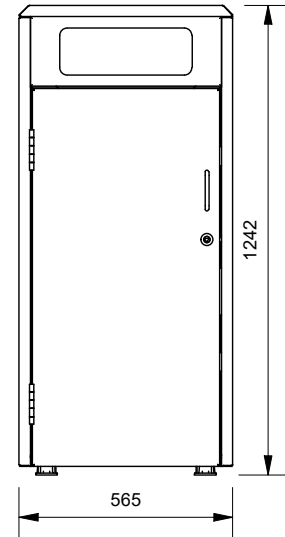
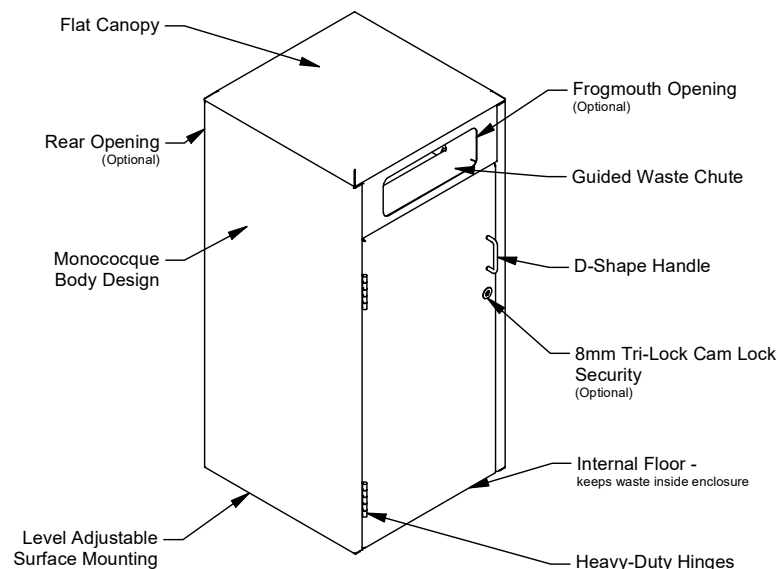
- Powdercoated Mild Steel ([See Colour Guide](#))
- 304 Stainless Steel
- 316 Stainless Steel

Lock Options

- Cam Lock
- Magnetic Latch
- Both

Other Options

- Casters (*Replaces Level Adjustable Feet*)
- Ashtray Module
- Dog Bag Dispenser
- Perforations ([See Perforation Guide](#))
- Laser Cut Logos
- Logo Backing Plates
- Alternate Colour Powdercoated Openings
- Communication Signage ([See Signage Guide](#))



More information:
Go to the website for spec inspiration.

89279 - Hub Flat Canopy Bin Surround
<https://draffin.com.au/product/hub-flat-canopy-bin-surround/>

Colour and Plinth Guide
<https://draffin.com.au/colour-guide/>

Signage Guide
<https://draffin.com.au/signage-guide/>

Standard Perforation Patterns
<https://draffin.com.au/perforation-patterns/>

Stainless Steel Guide
<https://draffin.com.au/stainless-steel-guide/>

Hub 120lt Bin Surround

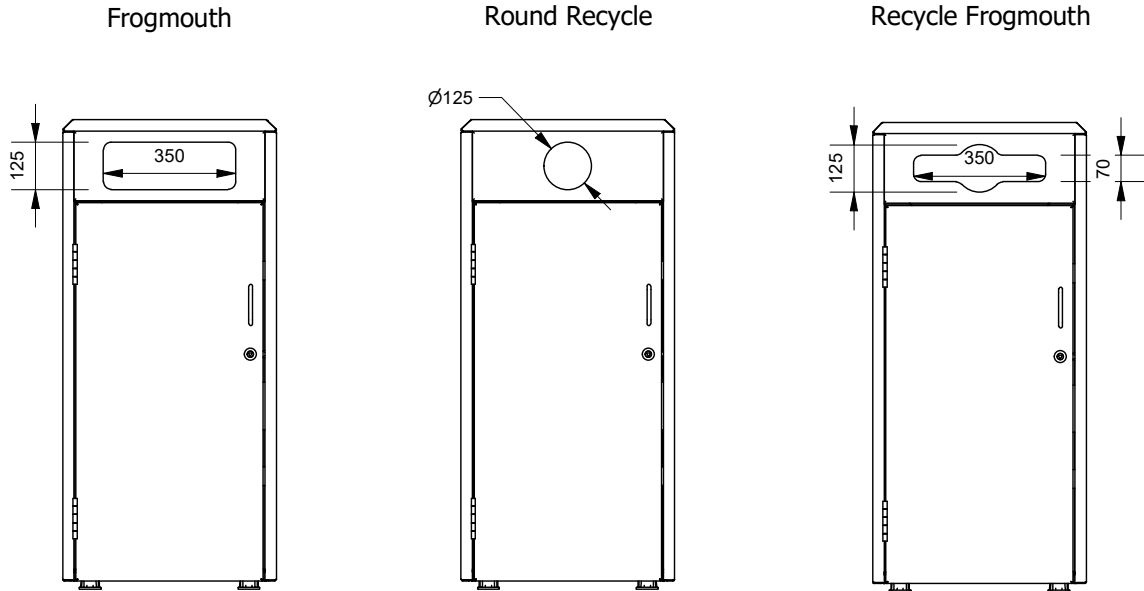
Model 1813 - Hub Flat Canopy 120lt Bin Surround (Front Opening)
Model 1814 - Hub Flat Canopy 120lt Bin Surround (Front/Rear Opening)

DRAFFIN
Street Furniture

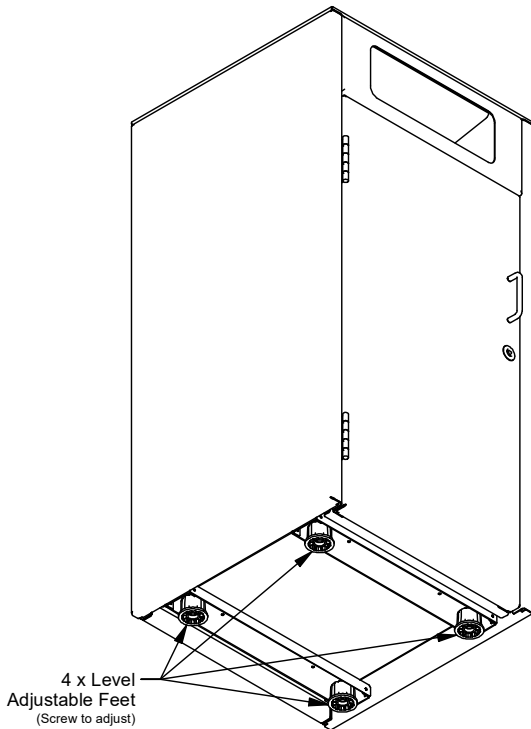


120lt Flat Canopy Openings

(Optional additional opening on rear)



Installation



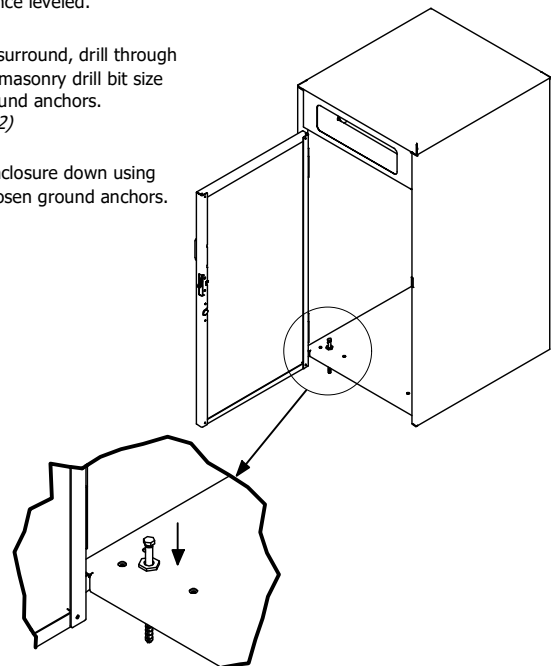
1. Place bin surround at intended position on concrete surface. (Recommended min. slab depth: 100mm. Ensure feet no closer to the edge of slab than 100mm)

2. Using the level adjustable feet, screw to adjust the level of the bin surround so the upright panels are plumb. *TIP: Adjust the rear feet before the front.*

3. Ensure the bin is stable once leveled.

4. Open the door of the bin surround, drill through foot provision into slab using masonry drill bit size recommended for chosen ground anchors. (Max ground anchor size: M12)

5. Clear holes, and fasten enclosure down using recommended method for chosen ground anchors.



Hub 240lt Bin Surround

Model 1823 - Hub Flat Canopy 240lt Bin Surround (Front Opening)

Model 1824 - Hub Flat Canopy 240lt Bin Surround (Front/Rear Opening)

DRAFFIN
Street Furniture



The Hub Flat Canopy Bin Surround has innovative features derived from all bin surrounds at Draffin Street Furniture. The Flat Canopy version can be specified with front and/or rear openings. Hub has a strengthened monocoque design, guided rubbish chutes and a solid base both for easy surface mounting and ensuring waste stays inside the enclosure.

Size

- 240lt

Cover Style

- Flat Canopy Front Opening
- Flat Canopy Front & Rear Opening

Opening

- Frogmouth
- Round Recycle
- Recycle Frogmouth

Panel Material

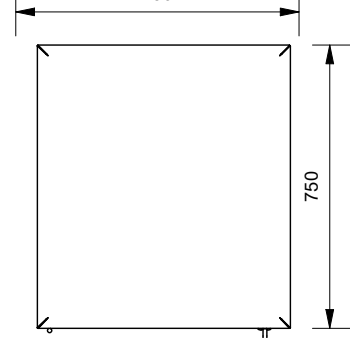
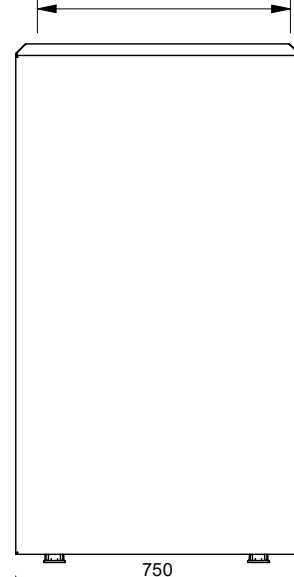
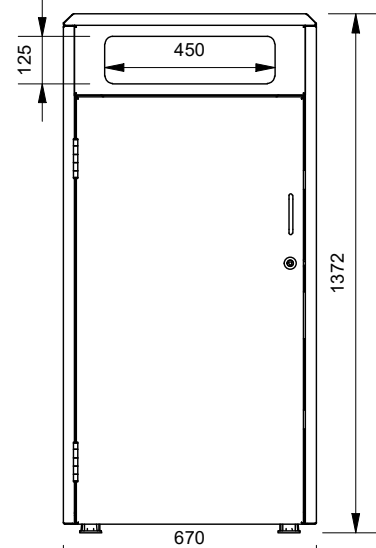
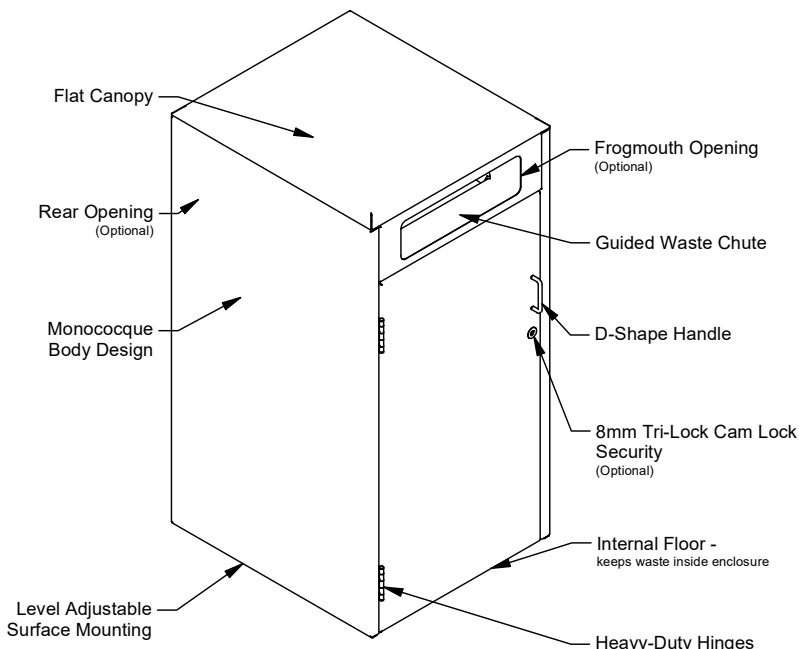
- Powdercoated Mild Steel ([See Colour Guide](#))
- 304 Stainless Steel
- 316 Stainless Steel

Lock Options

- Cam Lock
- Magnetic Latch
- Both

Other Options

- Casters (*Replaces Level Adjustable Feet*)
- Ashtray Module
- Dog Bag Dispenser
- Perforations ([See Perforation Guide](#))
- Laser Cut Logos
- Logo Backing Plates
- Alternate Colour Powdercoated Openings
- Communication Signage ([See Signage Guide](#))



More information:
Go to the website for spec inspiration.

89279 - Hub Flat Canopy Bin Surround
<https://draffin.com.au/product/hub-flat-canopy-bin-surround/>

Colour and Plinth Guide
<https://draffin.com.au/colour-guide/>

Signage Guide
<https://draffin.com.au/signage-guide/>

Standard Perforation Patterns
<https://draffin.com.au/perforation-patterns/>

Stainless Steel Guide
<https://draffin.com.au/stainless-steel-guide/>

Hub 240lt Bin Surround

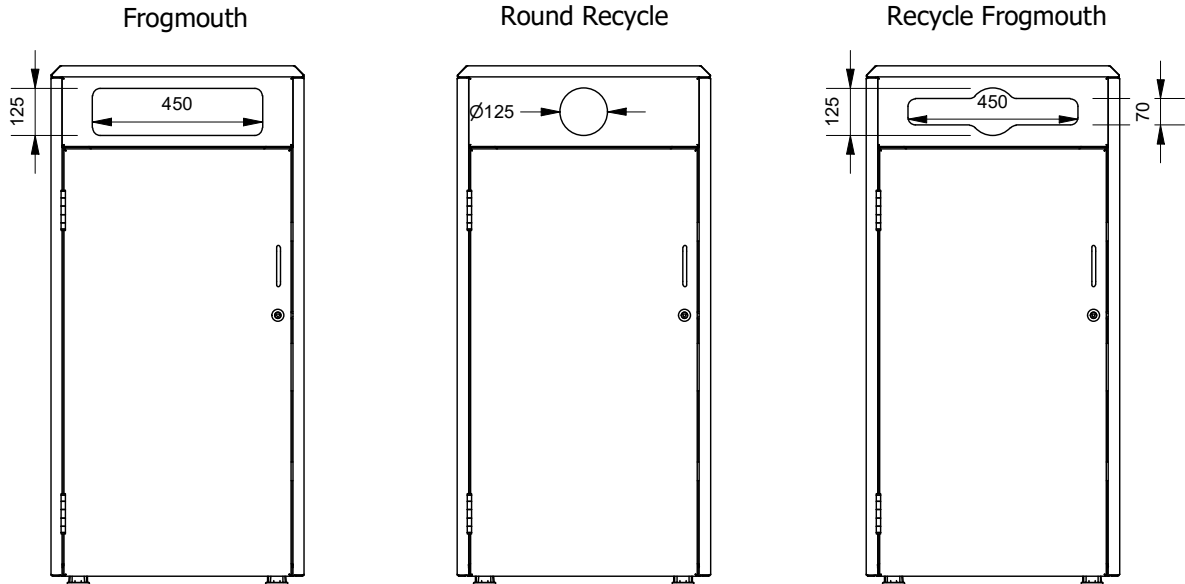
Model 1823 - Hub Flat Canopy 240lt Bin Surround (Front Opening)
Model 1824 - Hub Flat Canopy 240lt Bin Surround (Front/Rear Opening)

DRAFFIN
Street Furniture



240lt Flat Canopy Openings

(Optional additional opening on rear)



Installation

1. Place bin surround at intended position on concrete surface. (Recommended min. slab depth: 100mm. Ensure feet no closer to the edge of slab than 100mm)

2. Using the level adjustable feet, screw to adjust the level of the bin surround so the upright panels are plumb. *TIP: Adjust the rear feet before the front.*

3. Ensure the bin is stable once leveled.

4. Open the door of the bin surround, drill through foot provision into slab using masonry drill bit size recommended for chosen ground anchors. (Max ground anchor size: M12)

5. Clear holes, and fasten enclosure down using recommended method for chosen ground anchors.

