

Waste Station

Model 88736/S - Waste Station

DRAFFIN
Street Furniture



The Waste Station is a single or double wheelie bin security post that includes optional signage to clearly note the waste type the wheelie bin accepts. Ideal for remote installations and are a cost effective solution to roll out in larger parks. Heavy-duty security mounts are used that employ 8mm tri-key locking mechanisms.

Configuration Options

- Single Wheelie Bin
- Double Wheelie Bin

Wheelie Bin Size

- 120lt
- 240lt

Mounting Options

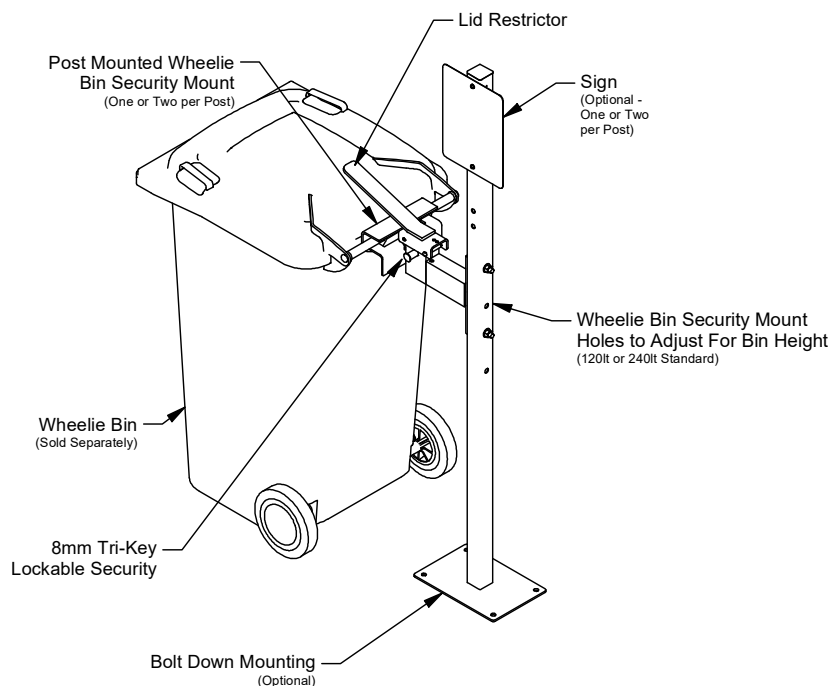
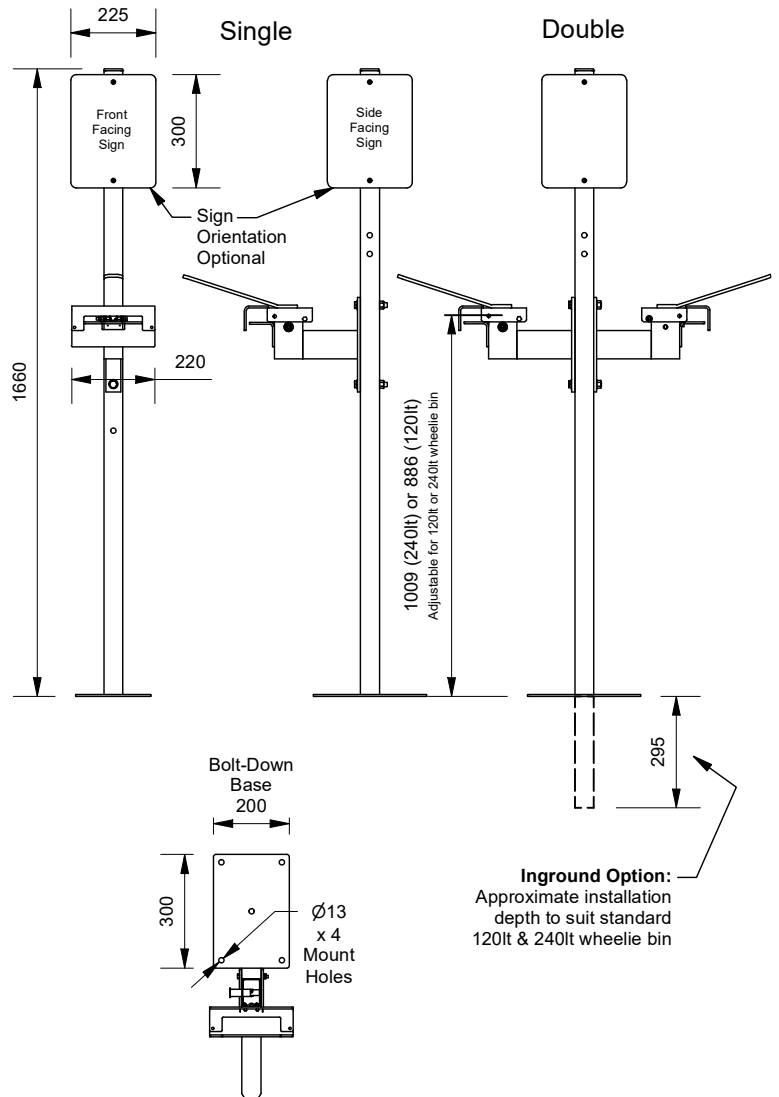
- Bolt Down
- In-ground

Signage

- One Sign
- Two Signs

Other Options

- Powdercoat Posts
- Powdercoat Frames
- Include Wheelie Bins
- Include Wheelie Bin Decals



More information:
Go to the website for spec inspiration.
88736/S - Waste Station
<https://draffin.com.au/product/waste-station/>

383/WPM & 383/SPM - Single Wheelie Bin Mounts
<https://draffin.com.au/product/single-wheelie-bin-mounts/>

Colour Guide
<https://draffin.com.au/colour-guide/>