

Glenelg Bar Table

89208 - Glenelg Bar Table (long)
89209 - Glenelg Bar Table (square)

DRAFFIN
Street Furniture



The Glenelg Bar Table makes social occasions out and about even better with classic Australian backyard furniture styling, but made for public applications. Available in two sizes. Lightweight styling conceals fully welded engineering with heavy-duty components to ensure high performance in all Australian conditions.

Table Size

- 1750mm
- 830mm

Batten Material (See batten guide)

110mm x 30mm

- Spotted Gum
- Enviroslat
- Anodised Aluminium
- Powdercoated Aluminium (See colour guide)
- Timber-Look Aluminium - Alpine Ash
- Timber-Look Aluminium - Mountain Gum
- Timber-Look Aluminium - Ironbark

Frame Material

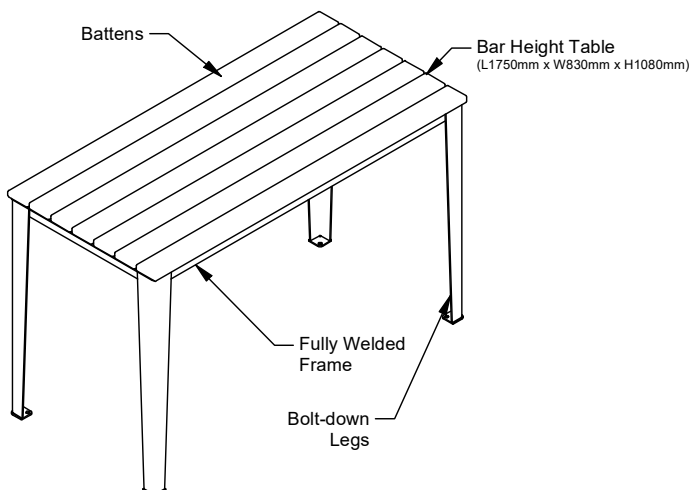
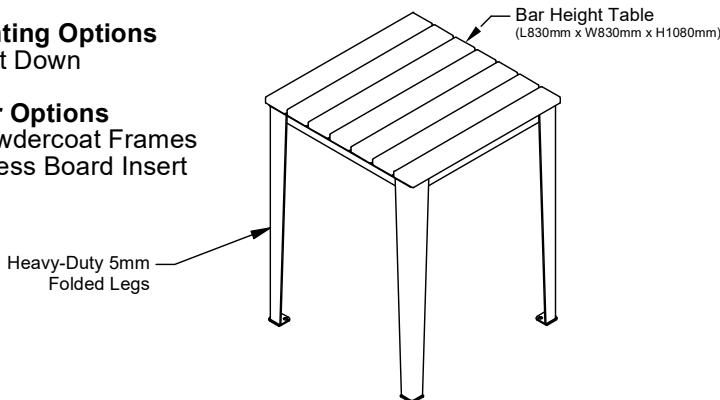
- Galvanised Mild Steel
- 304 Stainless Steel Brushed
- 304 Stainless Steel Blasted
- 316 Stainless Steel Brushed
- 316 Stainless Steel Blasted

Mounting Options

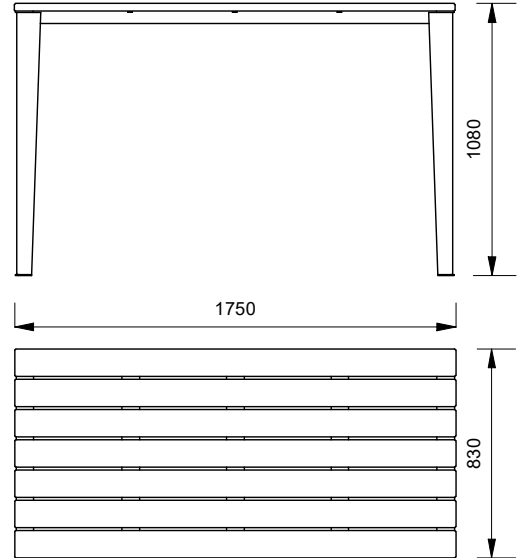
- Bolt Down

Other Options

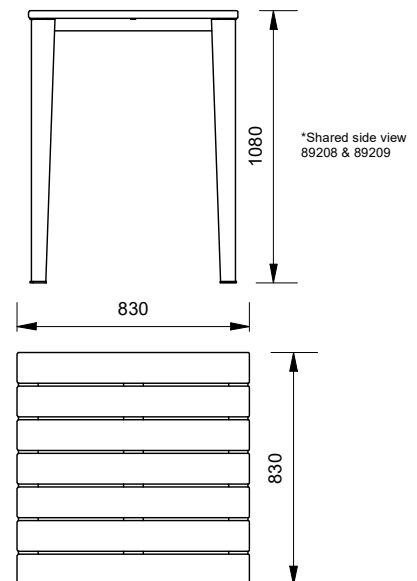
- Powdercoat Frames
- Chess Board Insert



1750mm Model
(89208)



830mm Model
(89209)



More information:

Go to the website for spec inspiration.

89208/89209 - Glenelg Bar Table
<https://draffin.com.au/product/glenelg-bar-table-setting/>

Batten Guide
<https://draffin.com.au/batten-guide/>

Colour and Plinth Guide
<https://draffin.com.au/colour-guide/>

Stainless Steel Guide
<https://draffin.com.au/stainless-steel-guide/>

DDA guide
<https://draffin.com.au/dda/>

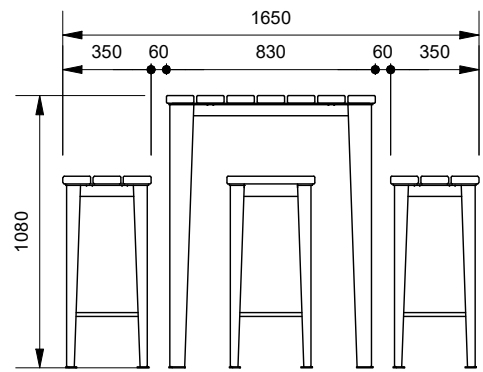
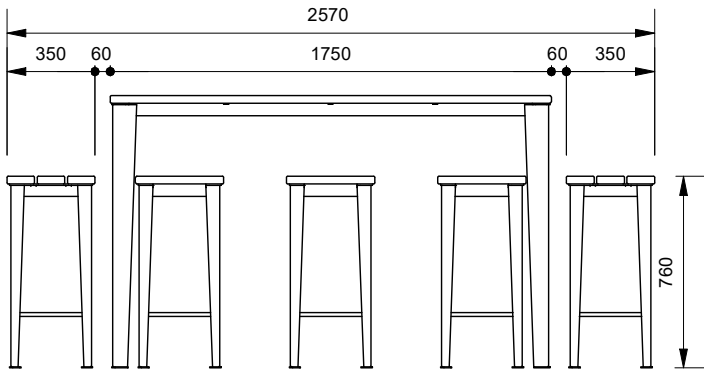
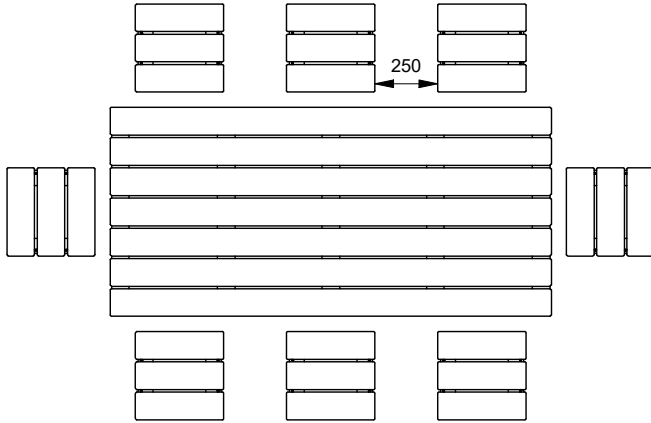
Glenelg Bar Table

89208 - Glenelg Bar Table

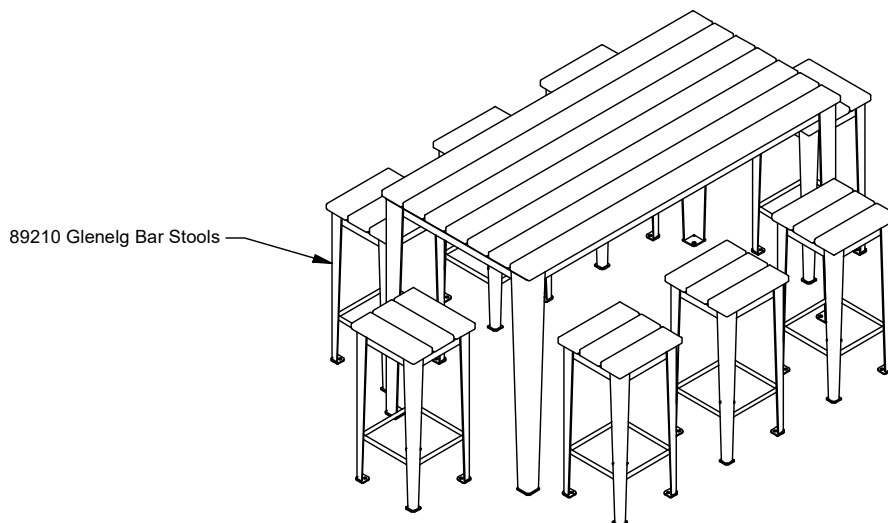
DRAFFIN
Street Furniture



1750mm Bar Table Layout



*Recommended Seating Arrangements 6-8 Bar Stools

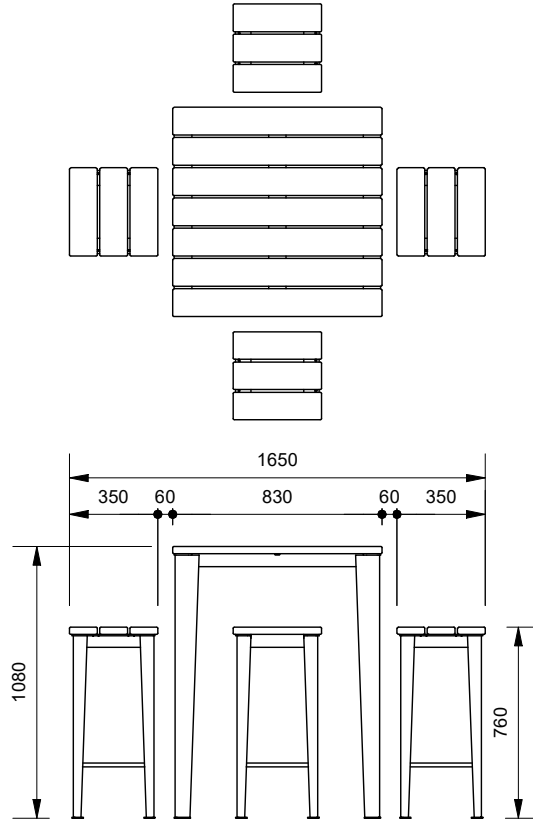


Glenelg Bar Table

89209 - Glenelg Bar Table



830mm Bar Table Layout



*Recommended Seating Arrangements 2-4 Bar Stools

