

Parks Seat with Back

89225 Parks Seat with Back

DRAFFIN
Street Furniture



The Parks Seat with Back is a very heavy duty design with remote installation applications in mind. Large spotted gum or Enviroslat composite battens and extra heavy duty frames make for a very dependable park seat.

Batten Material (See batten guide)

- Spotted Gum 135mm x 35mm
- Enviroslat 140mm x 35mm

Frame Material

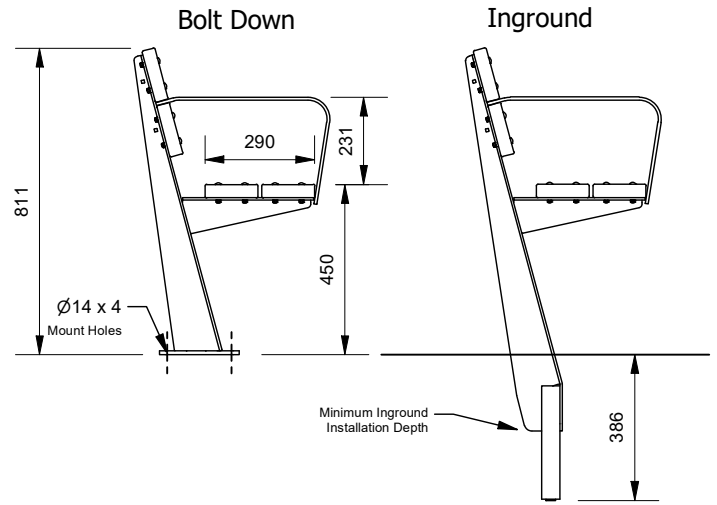
- Galvanised Mild Steel
- 304 Stainless Steel - Brushed
- 304 Stainless Steel - Bead Blasted
- 316 Stainless Steel - Brushed
- 316 Stainless Steel - Bead Blasted

Mounting Options

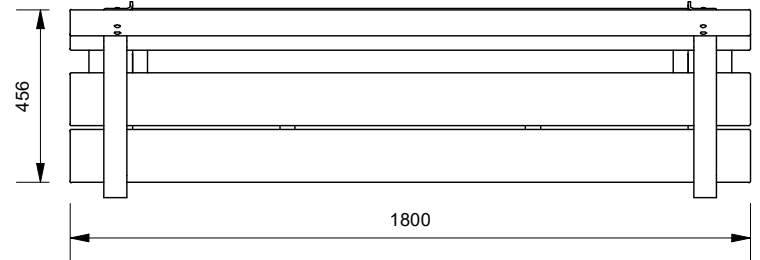
- Bolt Down
- Inground

Other Options

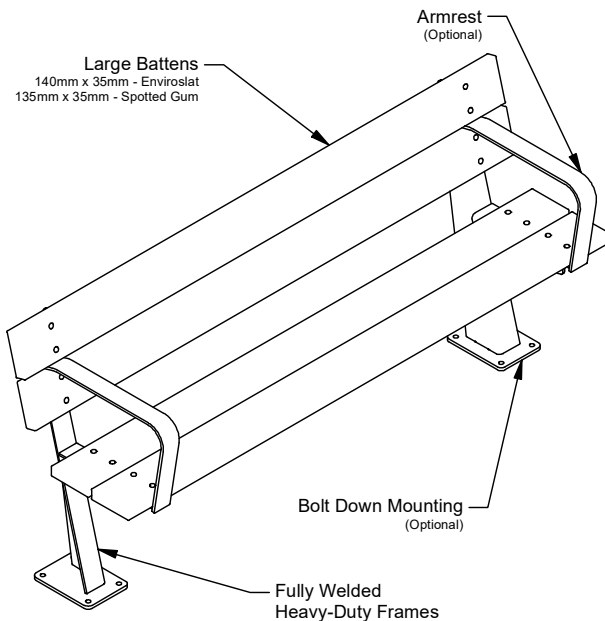
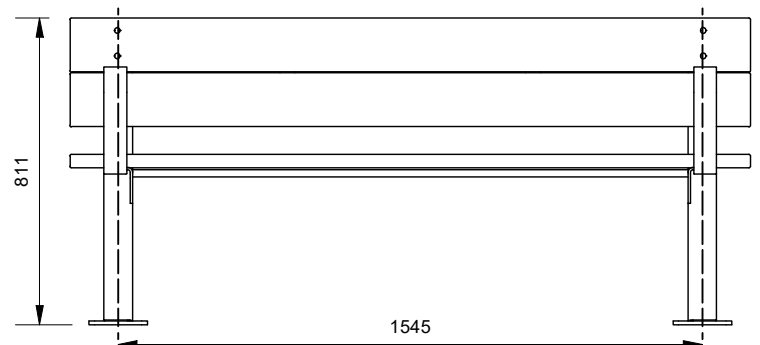
- Powdercoat Frames (See colour guide)
- Armrests
- Custom Dimensions



Plan



Front View



More information:
Go to the website for spec inspiration.

89225 - Parks Seat with Back
<https://draffin.com.au/product/parks-seat-with-back/>

Batten Guide
<https://draffin.com.au/batten-guide/>

Colour and Plinth Guide
<https://draffin.com.au/colour-guide/>

Stainless Steel Guide
<https://draffin.com.au/stainless-steel-guide/>

DDA guide
<https://draffin.com.au/dda/>