

Parks Bench Seat

89224 - Parks Bench Seat

89227 - Parks Bench Seat with Armrests

DRAFFIN
Street Furniture



The Parks Bench is a dependable park bench ideal for remote installation in reserves and roadside rest areas. Large battens in spotted gum and Enviroslat composite plus heavy-duty fully-welded frames ensure reliable performance in any environment.

Length Options

- 1800mm (Standard)
- 2700mm

Batten Material (See batten guide)

- Spotted Gum 135mm x 35mm
- Enviroslat 140mm x 35mm

Frame Material

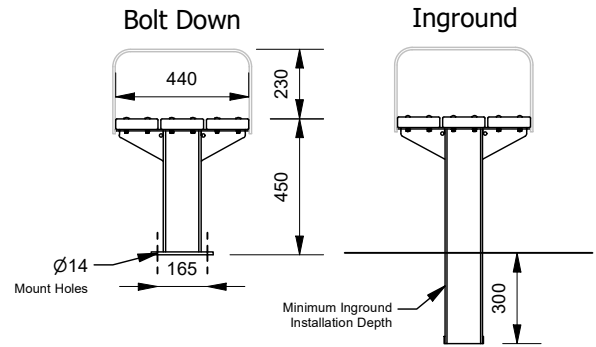
- Galvanised Mild Steel
- 304 Stainless Steel - Brushed
- 304 Stainless Steel - Bead Blasted
- 316 Stainless Steel - Brushed
- 316 Stainless Steel - Bead Blasted

Mounting Options

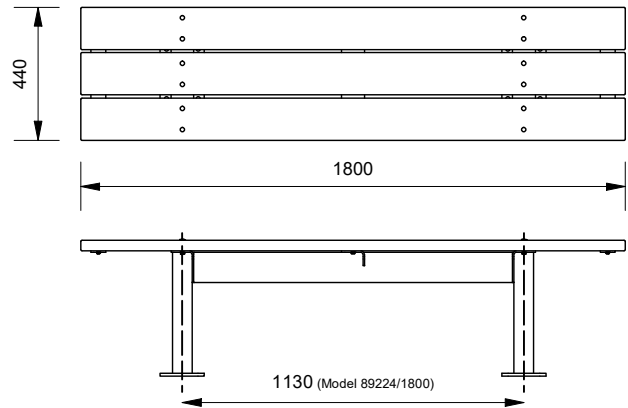
- Bolt Down
- Inground

Other Options

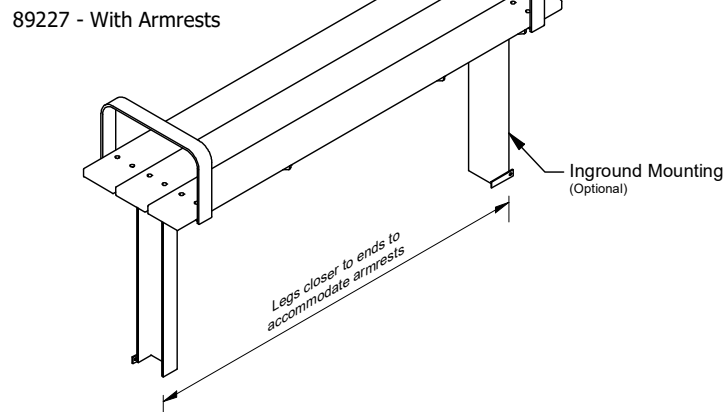
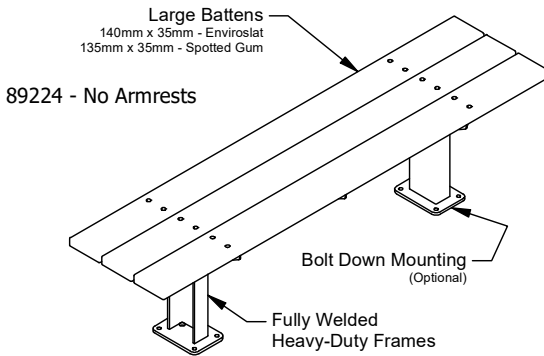
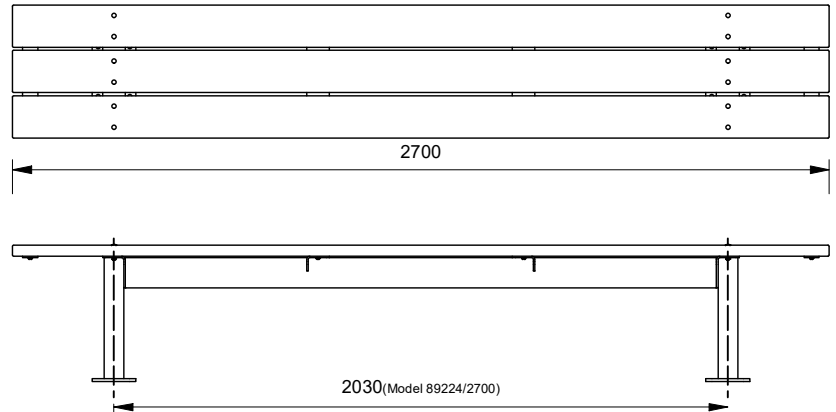
- Armrests (Model 89227)
- Powdercoat Frames (See colour guide)
- Custom Dimensions



1800mm Long Models



2700mm Long Models



More information:
Go to the website for spec inspiration.

89224 / 89227 - Parks Bench Seat
<https://draffin.com.au/product/parks-bench/>

Batten Guide
<https://draffin.com.au/batten-guide/>

Colour and Plinth Guide
<https://draffin.com.au/colour-guide/>

Stainless Steel Guide
<https://draffin.com.au/stainless-steel-guide/>

DDA guide
<https://draffin.com.au/dda/>