

Wandin Semi Circular Seat

Model W1X/0002 - Wandin Semi Circular Seat

DRAFFIN
Street Furniture



The Wandin Semi Circular Seat shares the same seat profile and uniform batten profile as the rest of the Wandin suite. Modular by design, use two to create a circular tree seat.

Batten Material (See batten guide)

405mm x 40mm x 30mm

- Spotted Gum
- Enviroslat
- Anodised Aluminium
- Powdercoated Aluminium (See colour guide)
- Timber-Look Aluminium - Alpine Ash
- Timber-Look Aluminium - Mountain Gum
- Timber-Look Aluminium - Ironbark

Frame Material

- Galvanised Mild Steel
- Powdercoated Gal Mild Steel (See colour guide)
- 304 Stainless Steel Brushed
- 304 Stainless Steel Bead Blasted
- 316 Stainless Steel Brushed
- 316 Stainless Steel Bead Blasted

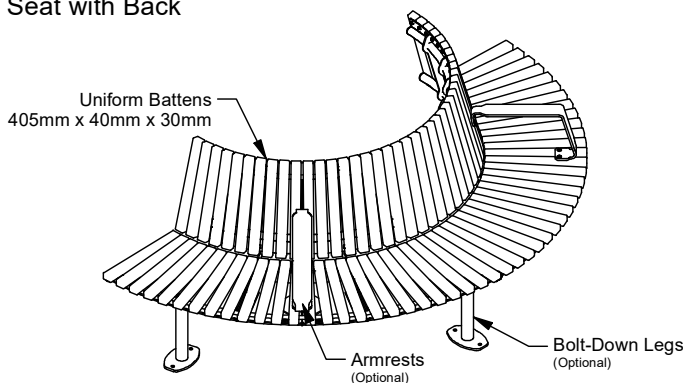
Mounting Options

- Bolt Down
- Inground
- Fin Legs
- Flat Bar Leg
- Freestanding
- Concrete Plinth

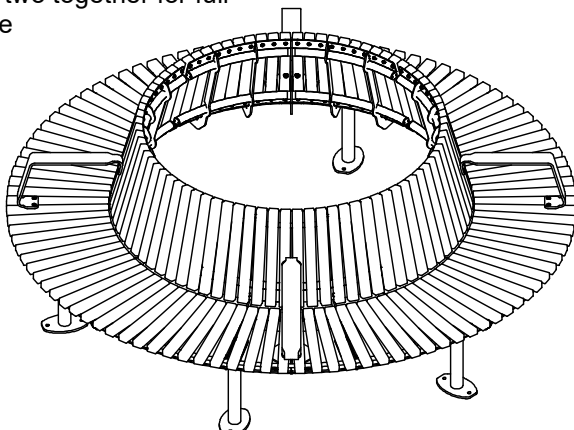
Other Options

- Armrests (2 per unit standard - as pictured)

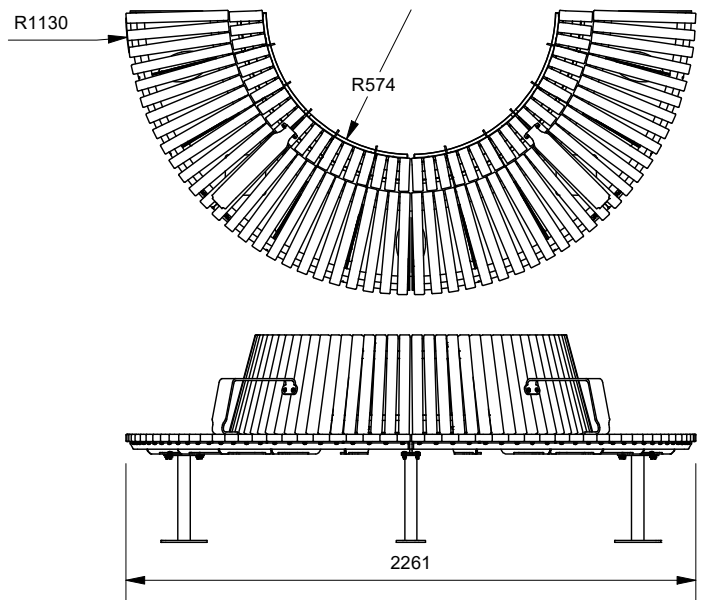
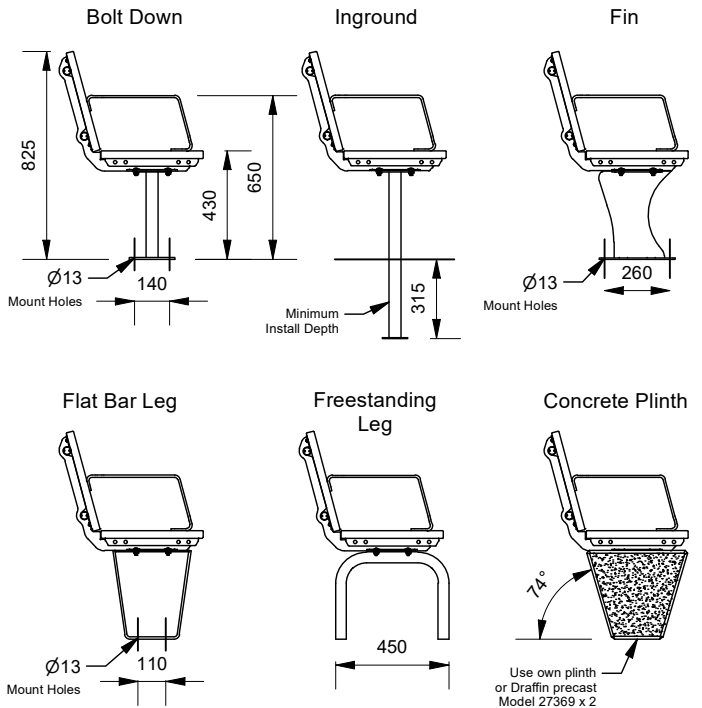
Single Wandin Semi-Circular Seat with Back



Bolt two together for full circle



Leg Types



More information:
Go to the website for spec inspiration.

W1X/0002 - Wandin Semi Circular Seat with Back
<https://draffin.com.au/product/wandin-semi-circular-timber-seat-with-back/>

Batten Guide
<https://draffin.com.au/batten-guide/>

Colour and Plinth Guide
<https://draffin.com.au/colour-guide/>

Stainless Steel Guide
<https://draffin.com.au/stainless-steel-guide/>

Wandin Architectural Guide
<https://draffin.com.au/wandin-architectural-guide/>

DDA guide
<https://draffin.com.au/dda/>

Wandin Semi Circular Seat

Model W1X/0002 - Wandin Semi Circular Seat

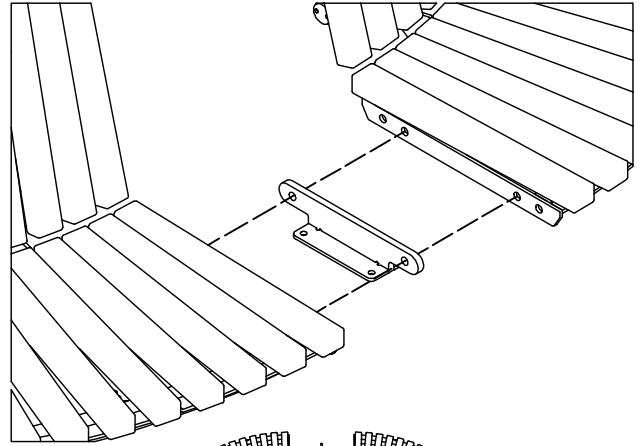
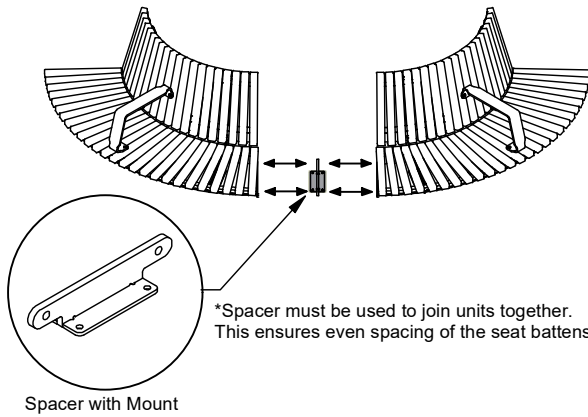
DRAFFIN
Street Furniture



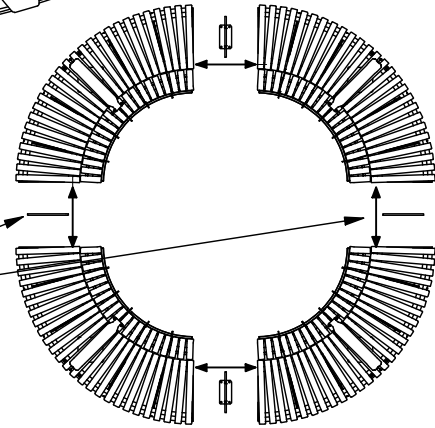
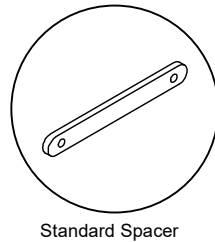
Assembly

The Semi-Circular Seat with Back is shipped in halves to save on freight volume. Once delivered, the seat will require assembly. The seat can be configured as a single semi-circular unit or fixed to another semi-circular unit for full circle applications. Two spacers are provided per semi-circle unit to join the half units together.

For semi-circular configuration: Bring halves together using the supplied **spacer with mount** between each half. Use supplied fasteners to fix units together.



For full circle configuration: Assemble halves (as above) using spacer with mount, then bring assembled semi-circles together using a supplied **standard spacer** (pictured below) between each semi-circle. Use supplied fasteners to fix units together.

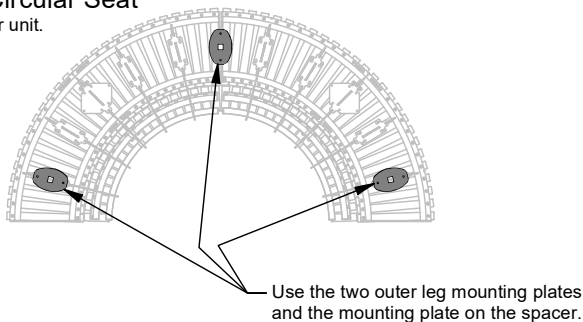


Leg Placement

Depending on the application, the leg placement will change to ensure best performance and stability. This applies to all leg types in the Wandin range except the plinth mount variant.

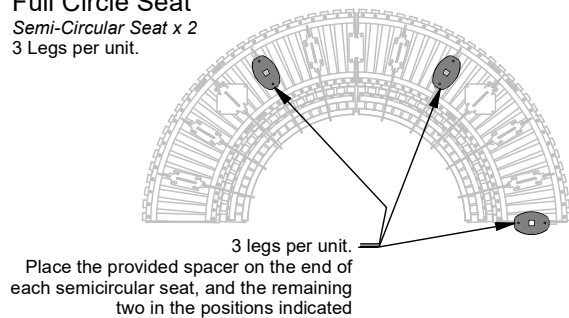
Semi-Circular Seat

3 Legs per unit.



Full Circle Seat

Semi-Circular Seat x 2
3 Legs per unit.



Even leg spacing can be achieved using the above recommended leg mounting positions.

