

# Wandin Semi Circular Bench

Model W1X/0001 - Wandin Semi Circular Bench

**DRAFFIN**  
Street Furniture



The Wandin Semi Circular Bench shares the same seat profile and uniform batten profile as the rest of the Wandin suite. Modular by design, you can use two to create a circular tree seat, or combine with any other Wandin Seat or Bench for unique seating profiles.

## Batten Material (See [batten guide](#))

405mm x 40mm x 30mm

- Spotted Gum
- Enviroslat
- Anodised Aluminium
- Powdercoated Aluminium (See [colour guide](#))
- Timber-Look Aluminium - Alpine Ash
- Timber-Look Aluminium - Mountain Gum
- Timber-Look Aluminium - Ironbark

## Frame Material

- Galvanised Mild Steel
- Powdercoated Gal Mild Steel (See [colour guide](#))
- 304 Stainless Steel Brushed
- 304 Stainless Steel Bead Blasted
- 316 Stainless Steel Brushed
- 316 Stainless Steel Bead Blasted

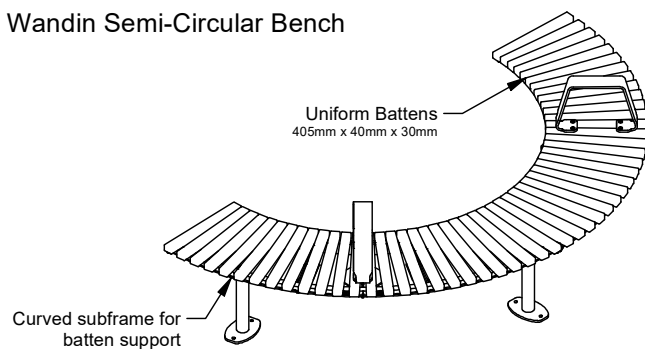
## Mounting Options

- Bolt Down
- Inground
- Fin Legs
- Flat Bar Leg
- Freestanding
- Concrete Plinth

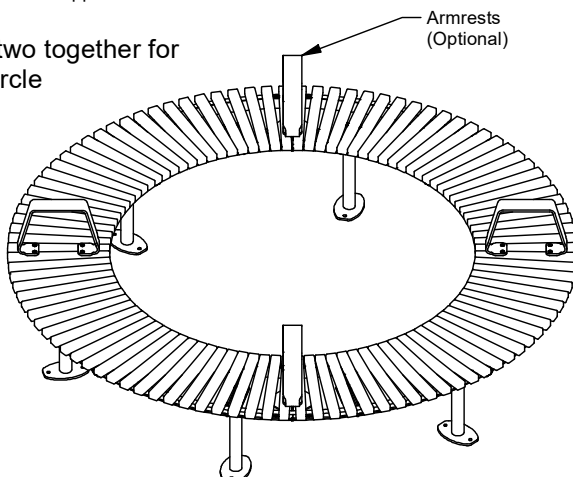
## Other Options

- Armrests (2 per unit standard - as pictured)

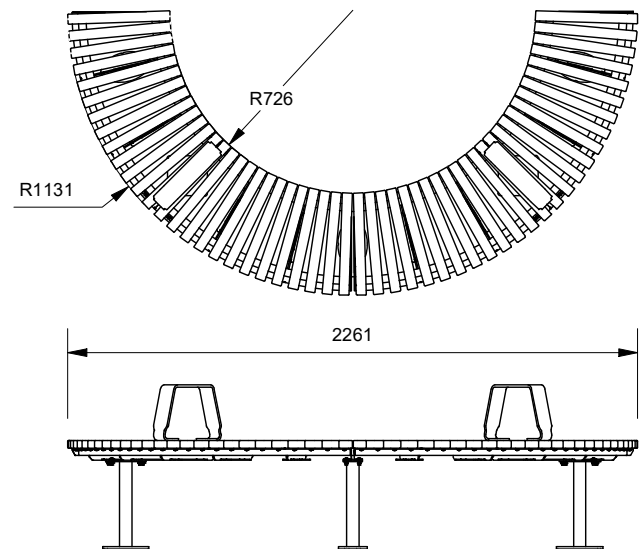
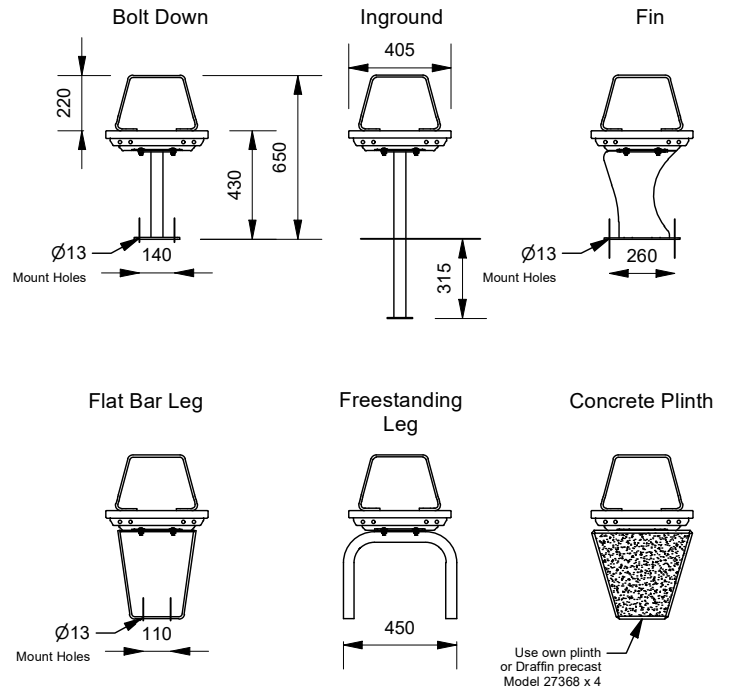
## Wandin Semi-Circular Bench



Join two together for full circle



## Leg Types



More information:  
Go to the website for spec inspiration.

**W1X/0001 - Wandin Semi Circular Bench**  
<https://draffin.com.au/product/wandin-semi-circular-timber-bench/>

**Batten Guide**  
<https://draffin.com.au/batten-guide/>

**Colour and Plinth Guide**  
<https://draffin.com.au/colour-guide/>

**Stainless Steel Guide**  
<https://draffin.com.au/stainless-steel-guide/>

**Wandin Architectural Guide**  
<https://draffin.com.au/wandin-architectural-guide/>

**DDA guide**  
<https://draffin.com.au/dda/>

# Wandin Semi Circular Bench

Model W1X/0001 - Wandin Semi Circular Bench

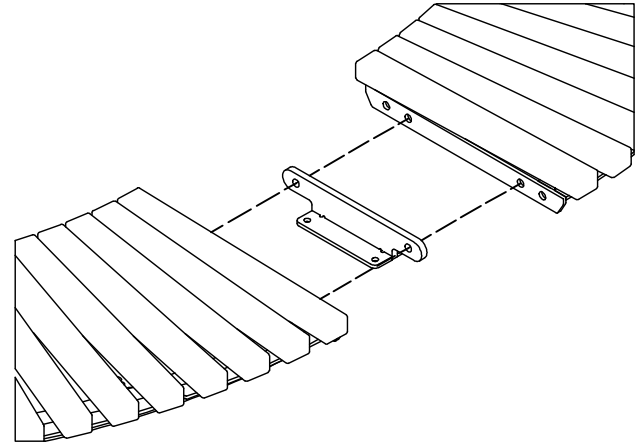
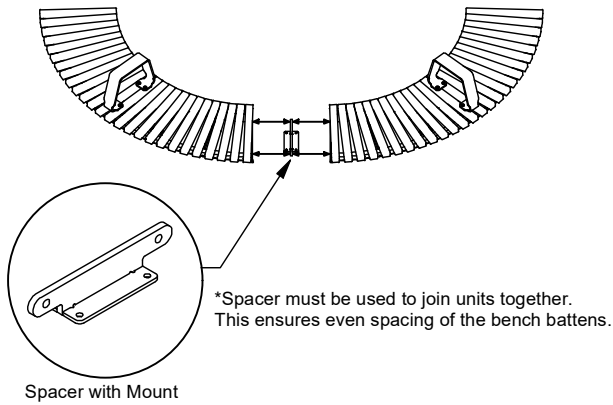
**DRAFFIN**  
Street Furniture



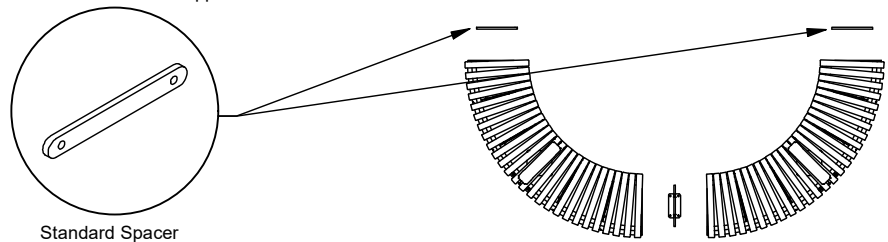
## Assembly

The Semi-Circular Bench is shipped in halves to save on freight volume. Once delivered, the bench will require assembly. The bench can be configured as a single semi-circular unit or fixed to another semi-circular unit for full circle applications. Two spacers are provided per semi-circle to join the half units together.

**For semi-circular configuration:** Bring halves together using the supplied **spacer with mount** between each half. Use supplied fasteners to fix units together.



**For full circle configuration:** Assemble halves (as above) using spacer with mount, then bring assembled semi-circles together using a supplied standard spacer (pictured below) between each semi-circle. Use supplied fasteners to fix units together.

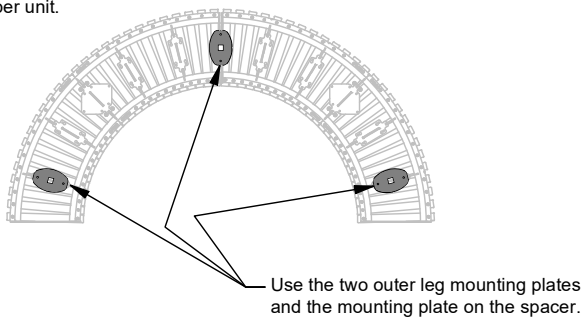


## Leg Placement

Depending on the application, the leg placement will change to ensure best performance and stability. This applies to all leg types in the Wandin range except the plinth mount variant.

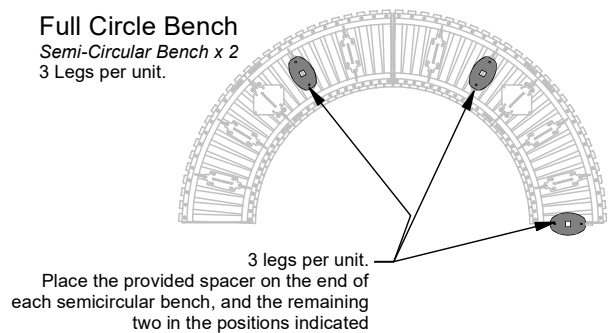
### Semi-Circular Bench

3 Legs per unit.



### Full Circle Bench

Semi-Circular Bench x 2  
3 Legs per unit.



Even leg spacing can be achieved using the above recommended leg mounting positions.

