

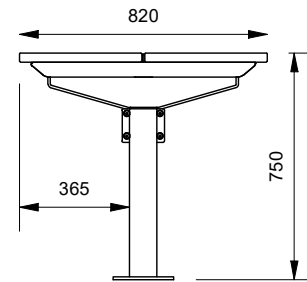
Wandin Table

89045 - Wandin Table

DRAFFIN
Street Furniture



The Wandin Table uses the same uniform batten size and profile as the rest of the Wandin Suite for uniformity. The heavy-duty design has two pedestal legs that minimise ground contact and aids easy grounds maintenance.



Batten Material (See batten guide)

405mm x 40mm x 30mm

- Spotted Gum
- Enviroslat
- Anodised Aluminium
- Powdercoated Aluminium (See colour guide)
- Timber-Look Aluminium - Alpine Ash
- Timber-Look Aluminium - Mountain Gum
- Timber-Look Aluminium - Ironbark

Frame Material

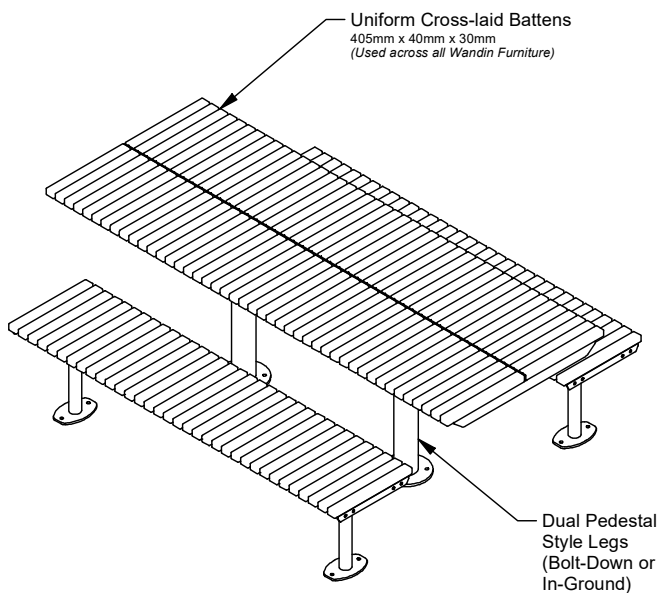
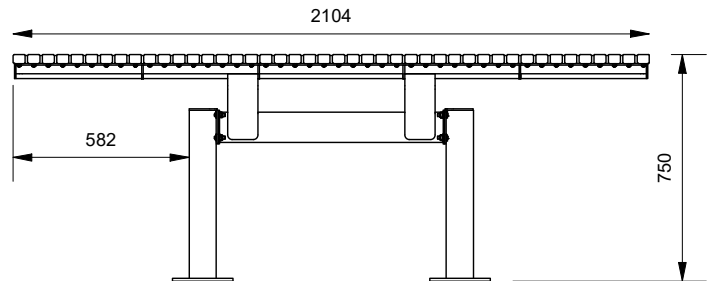
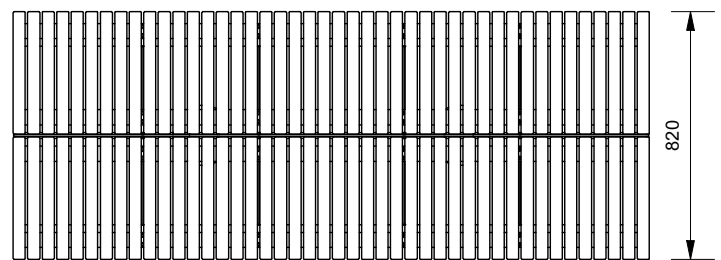
- Galvanised Mild Steel
- Powdercoated Gal Mild Steel (See colour guide)
- 304 Stainless Steel Brushed
- 304 Stainless Steel Bead Blasted
- 316 Stainless Steel Brushed
- 316 Stainless Steel Bead Blasted

Mounting Options

- Bolt Down
- Inground

Other Options

- Custom Dimensions
- Umbrella Hole
- DDA Options



More information:
Go to the website for spec inspiration.
89045 - Wandin Table
<https://draffin.com.au/product/wandin-table-setting/>

Batten Guide
<https://draffin.com.au/Batten-Guide.pdf>

Colour and Plinth Guide
<https://draffin.com.au/Paint-and-Plinth-Guide.pdf>

Stainless Steel Guide
<https://draffin.com.au/Stainless-Steel-Guide.pdf>

Wandin Architectural Guide
<https://draffin.com.au/wandin-architectural-guide/>

DDA guide
<https://draffin.com.au/dda/>

Wandin Table

89045 - Wandin Table

DRAFFIN
Street Furniture



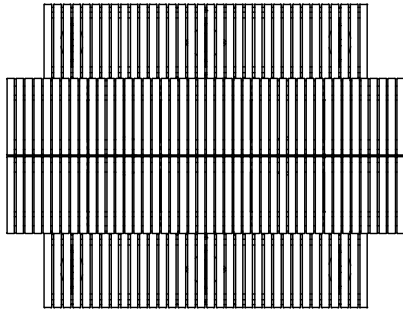
Suggested Configurations

Standard Setting

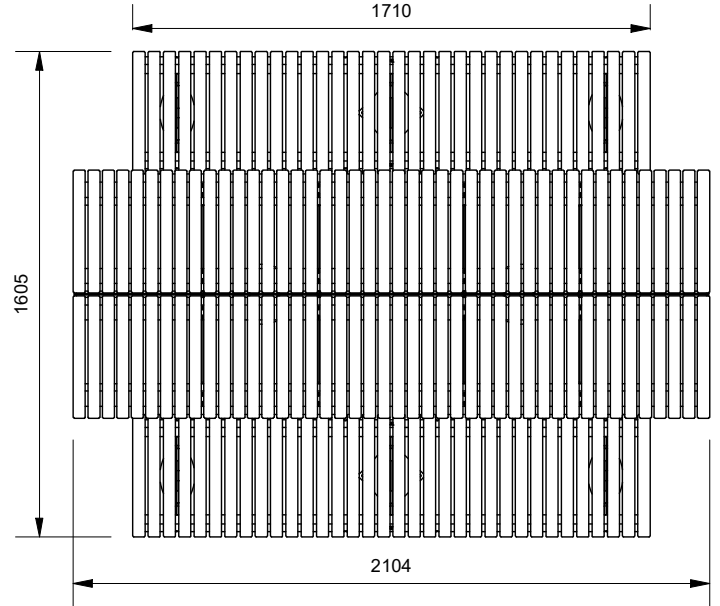
11S/17 -
1710mm long

89045 -
2104mm long

11S/17 -
1710mm long



Standard Setting - Plan



Wandin Table with Wandin Seats

10S/17 -
1710mm long

89045 -
2104mm long

10S/17 -
1710mm long

