

Hamilton Tapered Planter

63(x) Hamilton Tapered Planter

DRAFFIN
Street Furniture



Hamilton Tapered Planters are a range of custom planters built with a water wicking system and overflow drainage. There are several standard dimension options for length, width and height, all based on Waterup Wicking Cell sizes. Cantilever benches and tables can be added, making the Hamilton Tapered Planter a versatile outdoor furniture option.

Material

- Weathering Steel
- Powdercoated (Hot Dipped Galvanised Mild Steel)
- 304 Grade Stainless-Steel
- 316 Grade Stainless-Steel

WaterUps Format

- 1x1 (Square)
- 2x2 (Square)
- 1x2 (Rectangle)
- 1x3 (Rectangle)
- 1x4 (Rectangle)
- 2x3 (Rectangle)

Planter Height

- 500mm
- 750mm
- 1000mm

Cantilever Bench/Table

- 1 Side 2 Sides 3 Sides 4 Sides
- Straight Ends
- Mitred Ends

*Height determined by height of planter

*500mm high planter seat at 430mm high for comfort

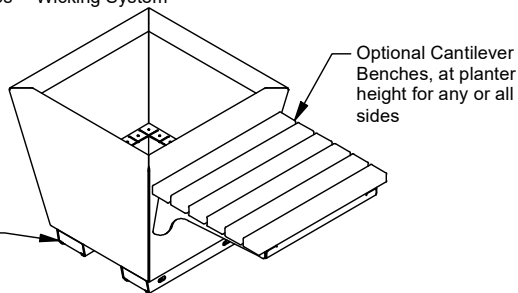
Bench/Table Batten Material (See Batten Guide)

- Spotted Gum
- Enviroslat Composite
- Anodised Aluminium
- Powdercoated Aluminium
- Timber-Look Aluminium - Mountain Gum
- Timber-Look Aluminium - Ironbark
- Timber-Look Aluminium - Alpine Ash

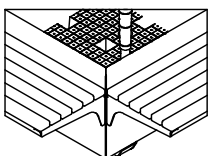
Other Options

- Without WaterUps™ Wicking System

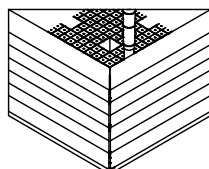
*63x/S1/05
500mm square
Tapered Planter
shown



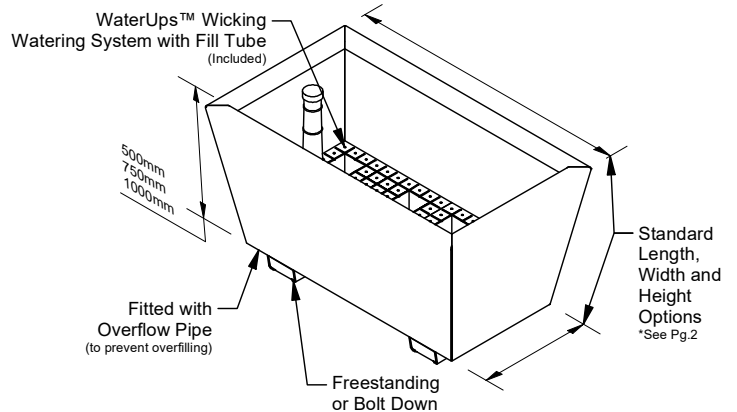
Straight Bench, Table
or Bar Top Ends



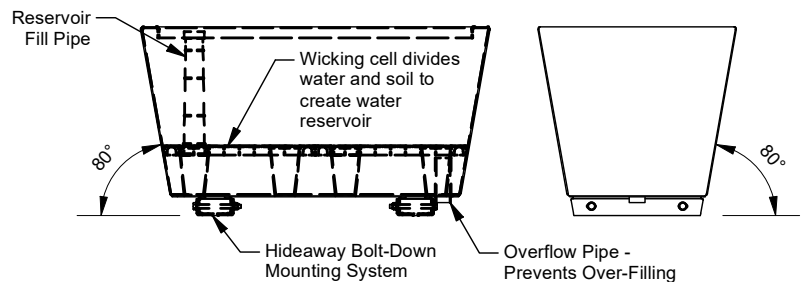
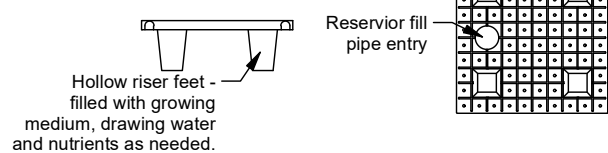
Mitred Bench, Table or
Bar Top Ends



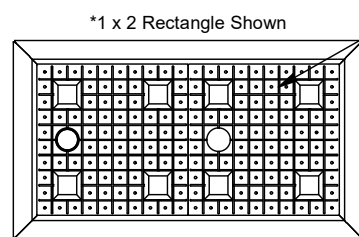
Planter Features



WaterUps Wicking Cell Module



Tapered Planter Sizes

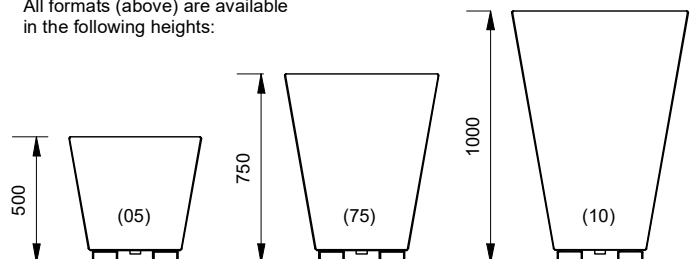


Hamilton Tapered Planter sizes are based on standard WaterUps Wicking Cells.

Formats available:

- 1x1 Square (S1)
- 2x2 Square (S4)
- 1x2 Rectangle (R2)
- 1x3 Rectangle (R3)
- 1x4 Rectangle (R4)
- 2x3 Rectangle (R6)

All formats (above) are available in the following heights:



*Combination of the WaterUps format and height of planter will determine the dimensions (See Pg.2)

Hamilton Tapered Planter

63(x) Hamilton Tapered Planter

DRAFFIN
Street Furniture



Tapered Planter Dimensions

Hamilton Tapered Planters can be manufactured in various standard lengths, widths, and heights. In effect, the Hamilton Tapered Planter can be made for a single shrub, and right up to large shade trees all with the same design.

<p>63X/S1/05 Square 1 x WaterUps Cell 500mm High</p>	<p>63X/S1/75 Square 1 x WaterUps Cell 750mm High</p>	<p>63X/S1/10 Square 1 x WaterUps Cell 1000mm High</p>
<p>63X/S4/05 Square 4 x WaterUps Cells 500mm High</p>	<p>63X/S4/75 Square 4 x WaterUps Cells 750mm High</p>	<p>63X/S4/10 Square 4 x WaterUps Cells 1000mm High</p>
<p>63X/R2/05 Rectangle 2 x WaterUps Cells 500mm High</p>	<p>63X/R2/75 Rectangle 2 x WaterUps Cells 750mm High</p>	<p>63X/R2/10 Rectangle 2 x WaterUps Cells 1000mm High</p>
<p>63X/R3/05 Rectangle 3 x WaterUps Cells 500mm High</p>	<p>63X/R3/75 Rectangle 3 x WaterUps Cells 750mm High</p>	<p>63X/R3/10 Rectangle 3 x WaterUps Cells 1000mm High</p>
<p>63X/R4/05 Rectangle 4 x WaterUps Cells 500mm High</p>	<p>63X/R4/75 Rectangle 4 x WaterUps Cells 750mm High</p>	<p>63X/R4/10 Rectangle 4 x WaterUps Cells 1000mm High</p>
<p>63X/R6/05 Rectangle 6 x WaterUps Cells 500mm High</p>	<p>63X/R6/75 Rectangle 6 x WaterUps Cells 750mm High</p>	<p>63X/R6/10 Rectangle 6 x WaterUps Cells 1000mm High</p>

Hamilton Tapered Planter

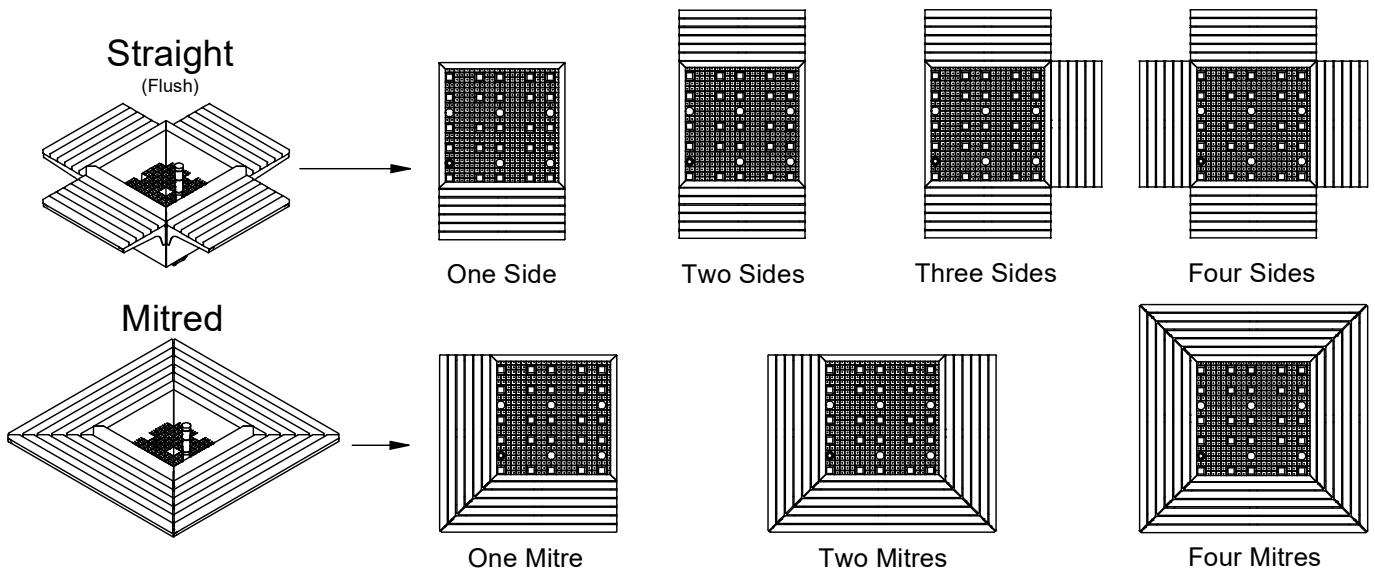
63(x) Hamilton Tapered Planter

DRAFFIN
Street Furniture



Planter Benches (Optional)

Hamilton Planters can be optioned with cantilever benches with battens and can be fixed at three standard bench heights utilised as a seat, a table or bar height table **on any or all sides** depending on the application and the height of the planter. The bench width is determined by the planter size, or you can opt for more bench space by choosing mitred bench corners.

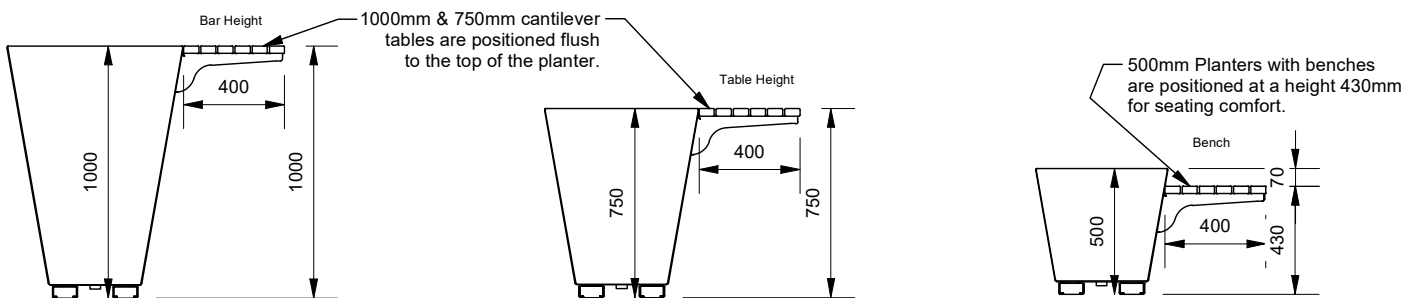


Bench Heights

1000mm High Planters

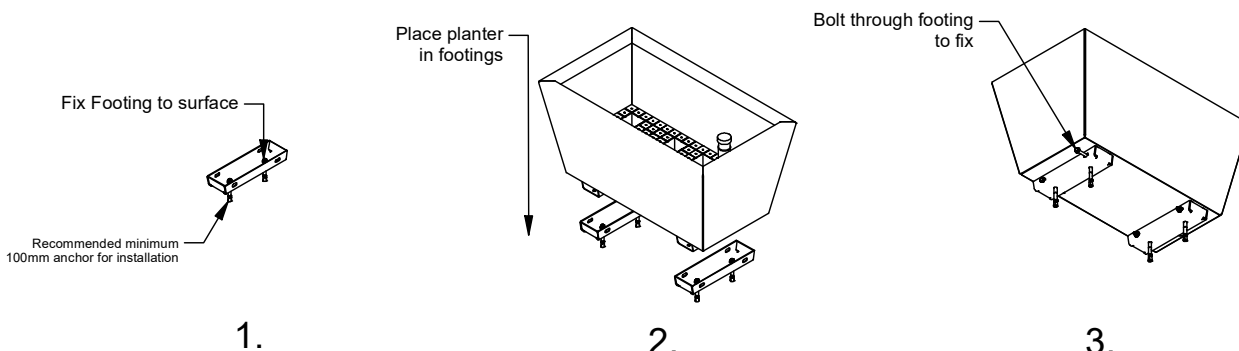
750mm High Planters

500mm High Planters



Mounting

Hamilton Tapered Planters can be easily bolted to concrete surfaces using supplied bolt down footing brackets. (recommended) Simply fix the bolt down footing in position and locate planter over the footings. To lock into position, bolts are used through the side of the footing.



Hamilton Tapered Planter

63(x) Hamilton Tapered Planter

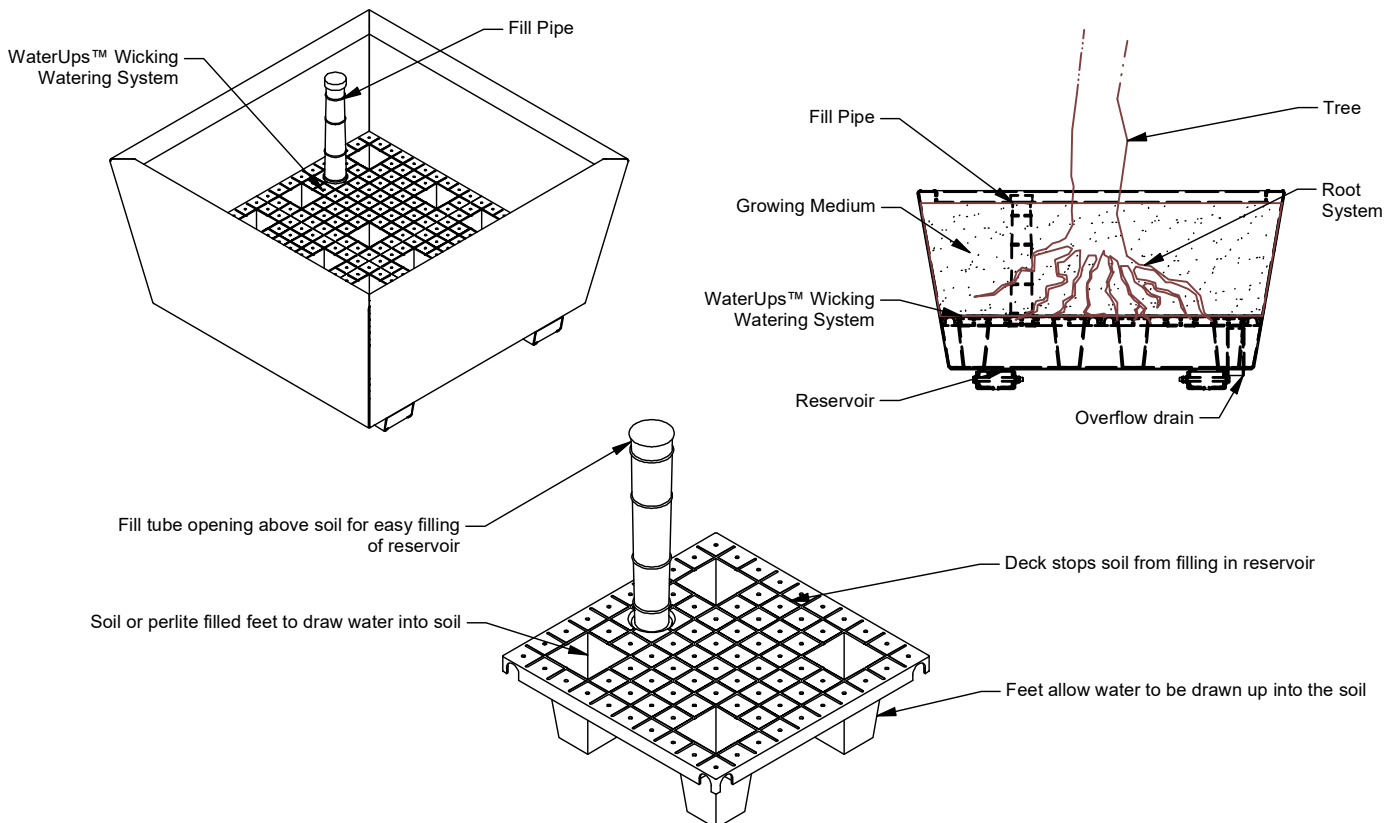
DRAFFIN
Street Furniture



Watering Management

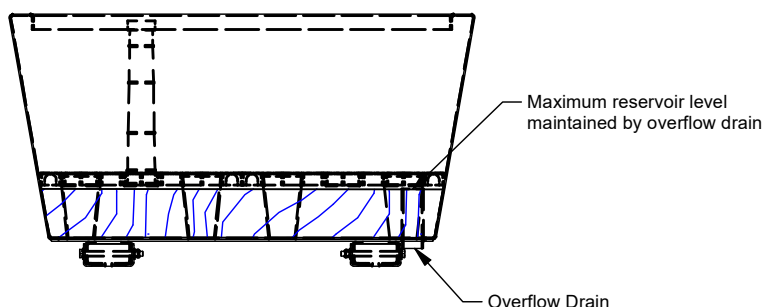
Like all Hamilton Planters, Hamilton Tapered Planters have built in features to maintain plant health. Planters allow temporary and permanent placement of plants and trees in places that otherwise would not be possible. To maintain plant health, adequate water needs to be available. The Hamilton Planter range has built in wicking watering systems as standard. A wicking watering system separates water from soil, and "wicks" or draws water and nutrients into the soil from the reservoir ensuring the plant only uses what it needs. The result makes for efficient water usage, and minimal water wastage from evaporation.

A closer look



Overflow Protection

While the built in wicking watering system forms a reservoir at the base of the planter, an overflow drain ensures the planter cannot be overfilled. The overflow drain stops the level of the reservoir from dampening the soil that can lead to plants drowning from over-watering. Plants will naturally reach for water as the reservoir level drops.



More information:
Go to the website for spec inspiration.

63x - Hamilton Tapered Planter
<https://draffin.com.au/product/hamilton-tapered-planter/>

Colour Guide
<https://draffin.com.au/colour-guide/>

Batten Guide
<https://draffin.com.au/batten-guide/>

Stainless Steel Guide
<https://draffin.com.au/stainless-steel-guide/>

Weathering Steel Guide
<https://draffin.com.au/weathering-steel-guide/>