

Wandin Straight Bench

Model 11S/17 - Wandin Bench

DRAFFIN
Street Furniture



The Wandin Straight Bench shares the same seat height, profile and uniform batten profile as the rest of the Wandin suite. Modular by design, the Straight Bench can be joined end to end with all Wandin Seat and Bench models.

Batten Material (See batten guide)

405mm x 40mm x 30mm

- Spotted Gum
- Enviroslat
- Anodised Aluminium
- Powdercoated Aluminium (See colour guide)
- Timber-Look Aluminium - Alpine Ash
- Timber-Look Aluminium - Mountain Gum
- Timber-Look Aluminium - Ironbark

Frame Material

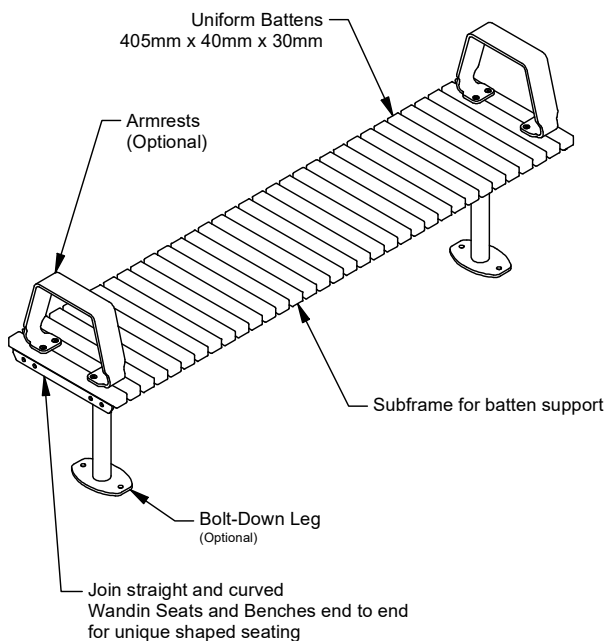
- Galvanised Mild Steel
- Powdercoated Gal Mild Steel (See colour guide)
- 304 Stainless Steel Brushed
- 304 Stainless Steel Bead Blasted
- 316 Stainless Steel Brushed
- 316 Stainless Steel Bead Blasted

Mounting Options

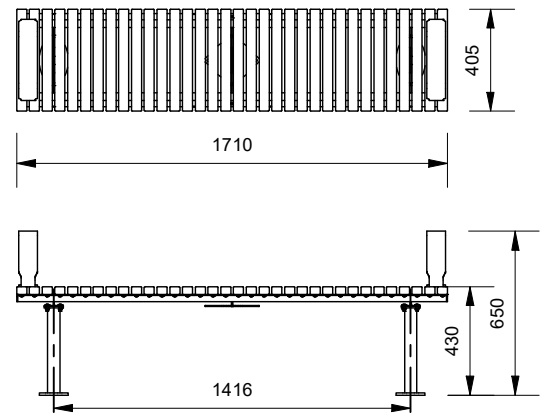
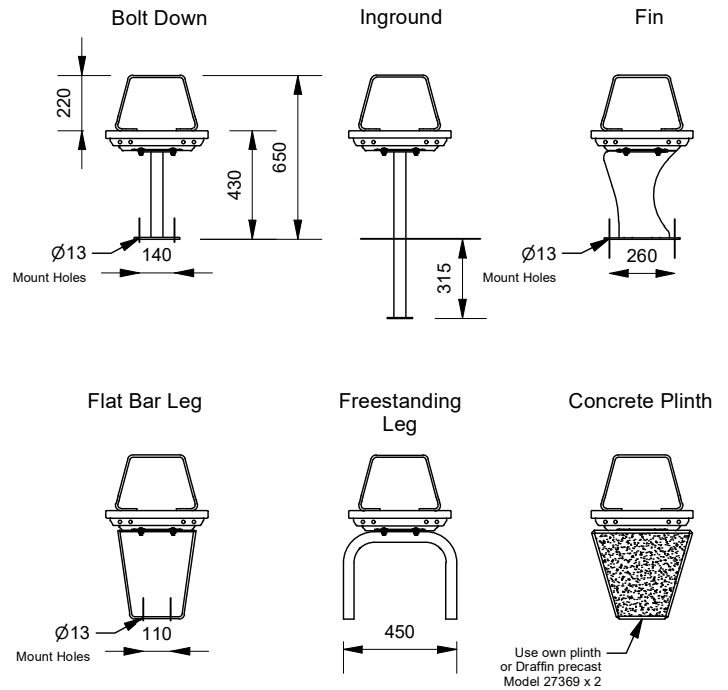
- Bolt Down
- Inground
- Fin Legs
- Flat Bar Leg
- Freestanding
- Concrete Plinth

Other Options

- Armrests (2 standard)



Leg Types



More information:
Go to the website for spec inspiration.

11S/17 - Wandin Straight Bench

<https://draffin.com.au/product/wandin-straight-timber-bench/>

Batten Guide

<https://draffin.com.au/batten-guide/>

Colour and Plinth Guide

<https://draffin.com.au/colour-guide/>

Stainless Steel Guide

<https://draffin.com.au/stainless-steel-guide/>

Wandin Architectural Guide

<https://draffin.com.au/wandin-architectural-guide/>

DDA guide

<https://draffin.com.au/dda/>