

# Wandin Curved Bench

Model 11CC/R19 - Wandin Curved Bench

**DRAFFIN**  
Street Furniture



The Wandin Curved Bench shares the same seat height, profile and uniform batten profile as the rest of the Wandin suite. A great stand-alone solution, but modular by design, so the Curved Bench can be joined end to end with all Wandin Seat and Bench models.

## Batten Material (See batten guide)

405mm x 40mm x 30mm

- Spotted Gum
- Enviroslat
- Anodised Aluminium
- Powdercoated Aluminium (See colour guide)
- Timber-Look Aluminium - Alpine Ash
- Timber-Look Aluminium - Mountain Gum
- Timber-Look Aluminium - Ironbark

## Frame Material

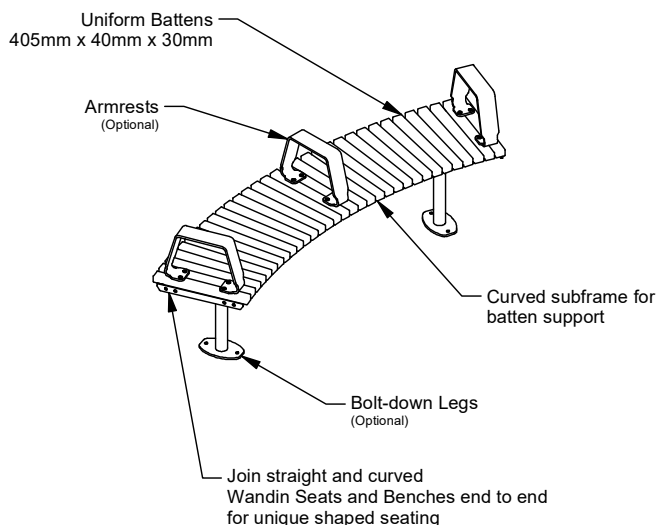
- Galvanised Mild Steel
- Powdercoated Gal Mild Steel (See colour guide)
- 304 Stainless Steel Brushed
- 304 Stainless Steel Bead Blasted
- 316 Stainless Steel Brushed
- 316 Stainless Steel Bead Blasted

## Mounting Options

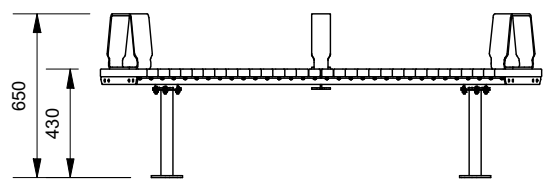
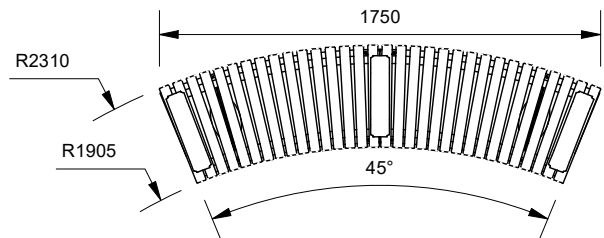
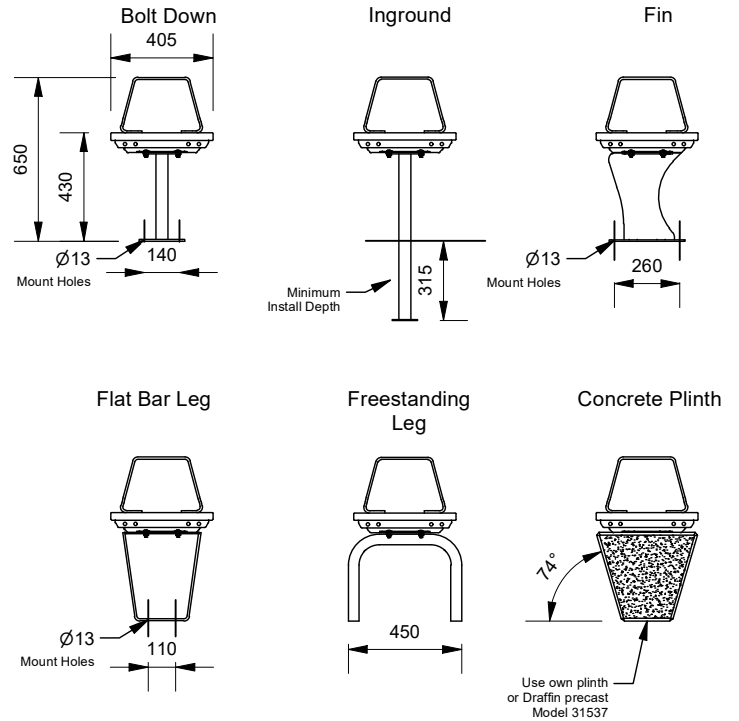
- Bolt Down
- Inground
- Fin Legs
- Flat Bar Legs
- Freestanding
- Concrete Plinth

## Armrests

- 1 Arm on the Left
- 1 Arm on the Right
- 1 Arm in the Middle
- 2 Armrests



## Leg Types



More information:  
Go to the website for spec inspiration.

## 11CC/R19 - Wandin Curved Bench

<https://draffin.com.au/product/wandin-concave-curved-timber-seat-with-back/>

## Batten Guide

<https://draffin.com.au/batten-guide/>

## Colour and Plinth Guide

<https://draffin.com.au/colour-guide/>

## Stainless Steel Guide

<https://draffin.com.au/stainless-steel-guide/>

## Wandin Architectural Guide

<https://draffin.com.au/wandin-architectural-guide/>

## DDA guide

<https://draffin.com.au/dda/>